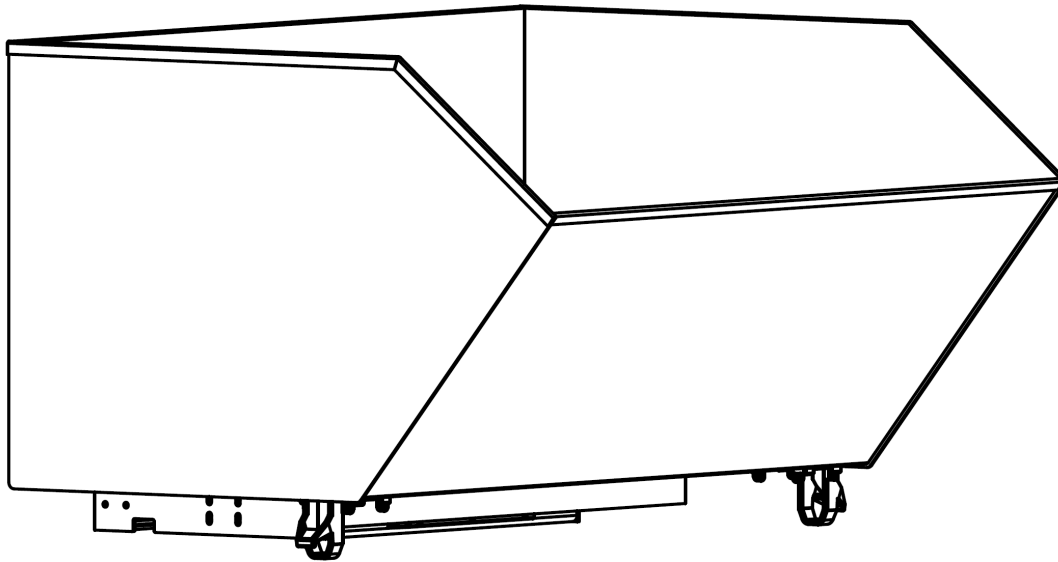




Vestil Manufacturing Corp.
 2999 North Wayne Street, P.O. Box 507, Angola, IN 46703
 Telephone: (260) 665-7586 -or- Toll Free (800) 348-0868
 Fax: (260) 665-1339
 Web: www.vestilmfg.com e-mail: info@vestil.com

H-SERIES HOPPERS

Instruction Manual



Receiving Instructions

After delivery, remove the packaging from the product. Inspect the product closely to determine whether it sustained damage during transport. If damage is discovered, record a complete description of it on the bill of lading. If the product is undamaged, discard the packaging.

NOTE: The end-user is solely responsible for confirming that product design, use, and maintenance comply with laws, regulations, codes, and mandatory standards applied where the product is used.

Technical Service & Replacement Parts

For answers to questions not addressed in these instructions and to order replacement parts, labels, and accessories, call our Technical Service and Parts Department at (260) 665-7586. The department can also be contacted online at http://www.vestilmfg.com/parts_info.htm.

Electronic Copies of Instruction Manuals

Additional copies of this manual may be downloaded from <https://www.vestil.com/page-manuals.php>.

Table of Contents	Page	Table of Figures	Page
Specifications	2	Exploded view & bill of materials: H-25 series hoppers	4
Signal Words	3	Exploded view & bill of materials: H-33 series hoppers	5
Safety Instructions	3	Exploded view & bill of materials: H-50 series hoppers	6
National Standards	11	Exploded view & bill of materials: H-75 series hoppers	7
Loading the Chute	11	Exploded view & bill of materials: H-100 series hoppers	8
Using the Hopper	11	Exploded view & bill of materials: H-150 series hoppers	9
Stacking Hoppers	12	Exploded view & bill of materials: H-200-HD	10
Record of Satisfactory Condition	12		
Inspections & Maintenance	12		
Labeling Diagram	13		
Limited Warranty	14		

SPECIFICATIONS

Documents that provide specifications for H-series hoppers are available online to anyone who visits Vestil's website. Specifications include dimensions, net weight, and capacity information.

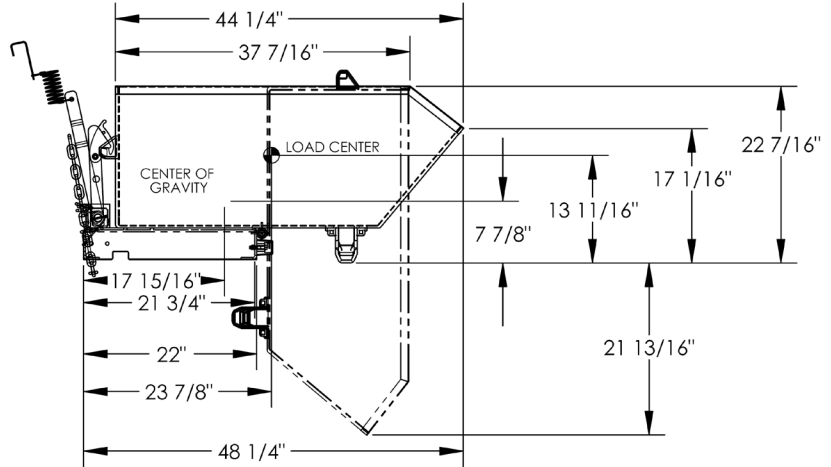
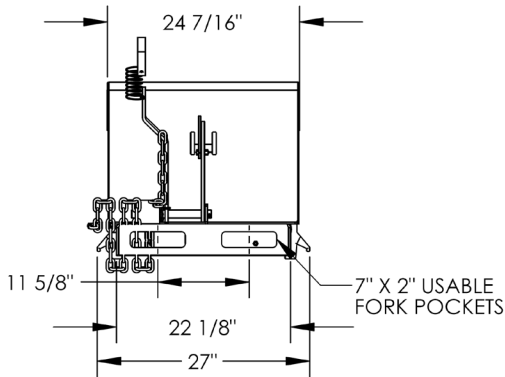
To access the appropriate specifications document, navigate to <https://www.vestil.com/product.php?FID=445>. Scroll to the *Product Specifications Table* portion of the page. Find the entry for the hopper you purchased and click the button in the "PDF" column that looks like a pencil inside a blue-bordered box. A PDF file will open. This file is the specifications document. Print a copy of the document and keep it with your copy of this manual.

The following is an exemplar specifications document for model H-33-LD.

LOW PROFILE 90° SELF DUMPING HOPPER - H-33-LD

APPROX WEIGHT: 189.47 lbs.
DOES NOT INCLUDE WEIGHT OF POWER OR PACKAGING!!!

*** ANY ADDITIONS, DELETIONS, OR OMISSIONS MUST BE CORRECTED ON THIS DRAWING AS THIS DRAWING WILL BE CONSIDERED ALL INCLUSIVE ***
ALL GRAPHICS PROVIDED ARE FOR REFERENCE ONLY. IF CERTAIN DIMENSIONS ARE CRITICAL PLEASE VERIFY THOSE DIMENSIONS WITH YOUR SALESPERSON



NEVER EXCEED LOAD CENTER RATING PER FORK TRUCK MANUFACTURER'S GUIDELINES. DO NOT USE THIS FORK TRUCK ATTACHMENT IF LOAD WILL EXCEED FORK TRUCK MANUFACTURER'S LOAD CENTER RATING.
APPROX. WEIGHT/ LOST LOAD=189.47 LBS.
EFFECTIVE THICKNESS= FORK LENGTH MINUS 21 3/4"

DIMENSION TOLERANCE ± 1/4"

**** ADDITION OF CASTERS MAY CHANGE WEIGHT CAPACITY BASED ON CASTER RATING**

STANDARD FEATURES

- MODEL NUMBER: H-33-LD
- OVERALL WIDTH: 27"
- OVERALL LENGTH: 48 1/4"
- OVERALL HEIGHT: 22 7/16"
- CAPACITY: 2,000 LBS.
- VOLUME: 1/3 CU. YRD.
- TOUGH BAKED IN POWDER COATED BLUE FINISH

SPECIAL FEATURES

NONE

APPROVAL

I, THE UNDERSIGNED, AGREE THAT THE PRODUCT AS REPRESENTED SATISFIES DESIGN AND DIMENSION REQUIREMENTS. I ALSO ACKNOWLEDGE MY DUTY TO CONFIRM PRODUCT AND INSTALLATION COMPLIANCE WITH ALL APPLICABLE FEDERAL, STATE AND LOCAL REGULATIONS AND STANDARDS.
UNITS REQUIRING APPROVAL DRAWINGS OR MODIFIED ARE NON-RETURNABLE
[] As drawn [] As marked

Signed: _____ Date: _____
Printed Name: _____
LEAD TIME WILL START UPON RECEIPT OF SIGNED APPROVAL DRAWING

FOR INTERNAL USE ONLY PROJECT SIGN OFF		DISTRIBUTOR'S NAME: VESTIL MANUFACTURING		P.O.# X
SALES		DRAWN BY:	DATE:	W.O.# X
ENG.		REFERENCE: X	SCALE: 1:16	SALES: X
FAB.		QUOTED LEAD TIME: X	QUOTE # X	FILE NAME: 37-007-147
POWER				

NOTE: If your model is not included on the webpage, or if you cannot access and/or print the document, contact the [Technical Service Dept.](#) Contact information is provided on the front page of this manual.

SIGNAL WORDS

This manual uses SIGNAL WORDS to draw attention to uses of the product that could result in personal injuries, as well as the probable seriousness of those injuries. Other signal words call attention to uses likely to cause property damage. Signal words used in this manual appear below along with the definition of each word.

⚠ DANGER Identifies a hazardous situation which, if not avoided, **WILL** result in **DEATH** or **SERIOUS INJURY**. Use of this signal word is limited to the most extreme situations.

⚠ WARNING Identifies a hazardous situation which, if not avoided, **COULD** result in **DEATH** or **SERIOUS INJURY**.

⚠ CAUTION Indicates a hazardous situation which, if not avoided, **COULD** result in **MINOR** or **MODERATE** injury.

NOTICE Identifies practices likely to result in product/property damage, such as operation that might damage the hopper.

SAFETY INSTRUCTIONS

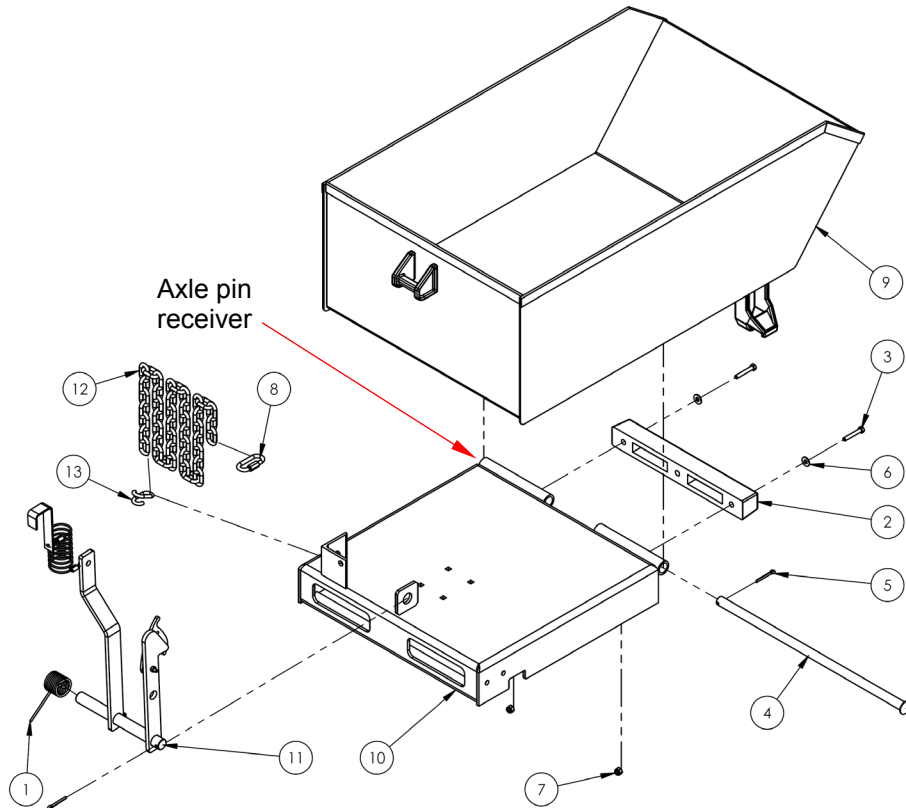
Vestil strives to identify all foreseeable hazards associated with the use of its products. However, material handling is dangerous and no manual can address every conceivable risk. Ultimately, the most effective way to prevent injury is to apply sound judgment whenever using this device. Acquire a copy of the latest version of ANSI B56.1 (“B56.1” or the “Standard”). The Standard is freely downloadable on www.ITSDF.org. Apply all portions of Part II “For the User” that concern the use of attachments and removable attachments. The following recommendations are intended to complement the provisions of B56.1.

- ⚠ WARNING** Risk of serious personal injuries or death! Always apply the following safety instructions.
- Before this product may be used, U.S. Occupational Safety and Health Administration rule 1910.178(a)(4) and (a)(5) require that the owner/user: 1) Obtain written approval from the manufacturer(s) of all forklifts [or from a professional engineer] that will use the hopper; 2) Change capacity, operation, and maintenance instruction plates, tags, or decals accordingly; AND 3) Mark the forklift truck to identify the beam and show the approximate weight of the truck and beam combination at maximum elevation with load laterally centered. Requirements are published at https://www.osha.gov/pls/oshaweb/owadisp.show_document?p_table=STANDARDS&p_id=9828
 - *Read & understand this entire manual before using or servicing the hopper.*
 - Inspect the hopper as directed in the **INSPECTIONS & MAINTENANCE** section on p. 12. DO NOT use it unless it is in **SATISFACTORY CONDITION**. See **RECORD OF SATISFACTORY CONDITION** on p. 12.
 - DO NOT use the hopper if the carriage chain is damaged or missing; DO NOT lift the hopper until it is securely connected to the carriage of the fork truck with the carriage chain. ONLY use this hopper with a powered forklift truck. DO NOT mount the hopper on stackers or manually propelled lift trucks.
 - DO NOT fill the hopper with a load weighing more than its maximum rated load. See **SPECIFICATIONS** tables on page 2.
 - NO ONE should travel under the hopper at any time while it is elevated.
 - NEVER wrap the release cable around your hand, fingers, or any other part of your body!
 - **Hoppers with lifting lugs** can be lifted with overhead hoists and cranes. DO NOT lift a hopper unless the chute is securely latched to the frame.
 - DO NOT allow people to ride on or in the hopper.
 - DO NOT use the hopper if any label is unreadable or missing. Apply replacement labels before returning the hopper to service. See **LABELING DIAGRAM** on p. 13.
 - ALWAYS apply proper lift truck operation techniques learned during your training program. Before raising the hopper from the floor, tilt the (forklift) mast toward the cab of the truck to ensure that the hopper will not slide off of the forks.
 - DO NOT modify the hopper without first obtaining written approval from Vestil! Unapproved modifications might make the hopper unsafe to use and automatically void the **LIMITED WARRANTY** on p. 14.
 - DO NOT dump the hopper UNLESS every person in the vicinity is a safe distance away from the dumping site.
 - DO NOT dump the hopper if the forklift is on sloped terrain. Only dump the hopper while on level surfaces.
 - DO NOT exceed the load ratings or fill the hopper above the side walls. Injury to personnel or permanent damage to the equipment could result from overloading.

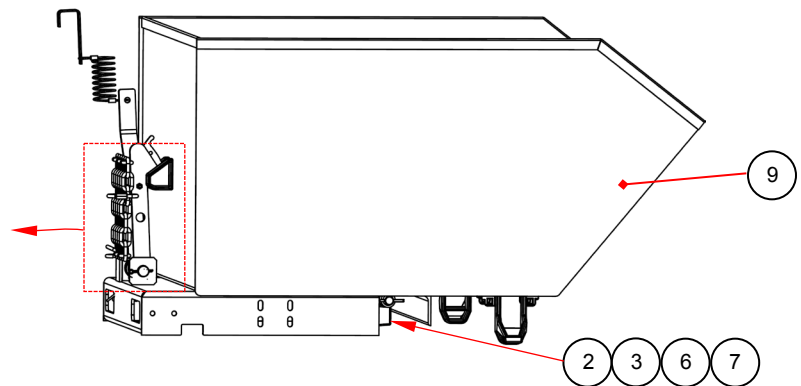
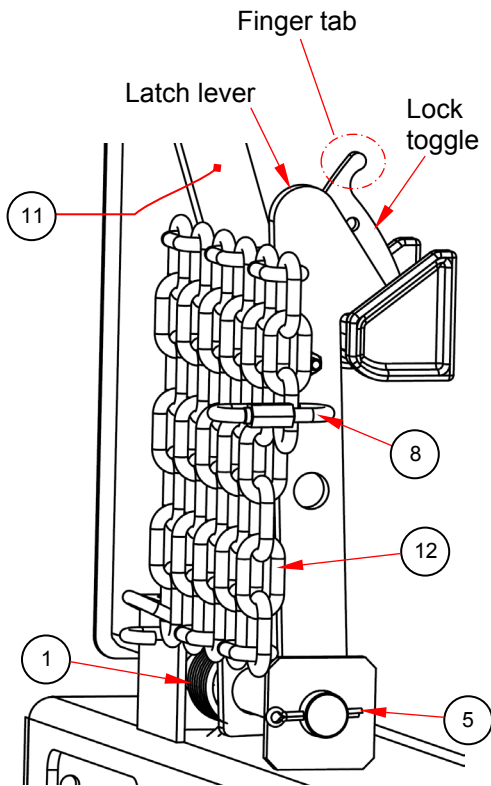
NOTE: Because this product is self-dumping, it helps to prevent non-compliance with US Federal OSHA rule 1910.178(m)(5). In particular, subpart 1910.178(m)(5)(iii), requires operators of powered trucks to fully lower the “load engaging means” (forks), neutralize truck controls, and set brakes whenever they dismount a lift truck and remain within 25ft of it. By allowing lift truck operators to remain at the controls of their trucks throughout the dumping process, there is no need to dismount the lift truck while dumping the hopper.

H-25 SERIES HOPPERS EXPLODED VIEW AND BILL OF MATERIALS

37-006-035

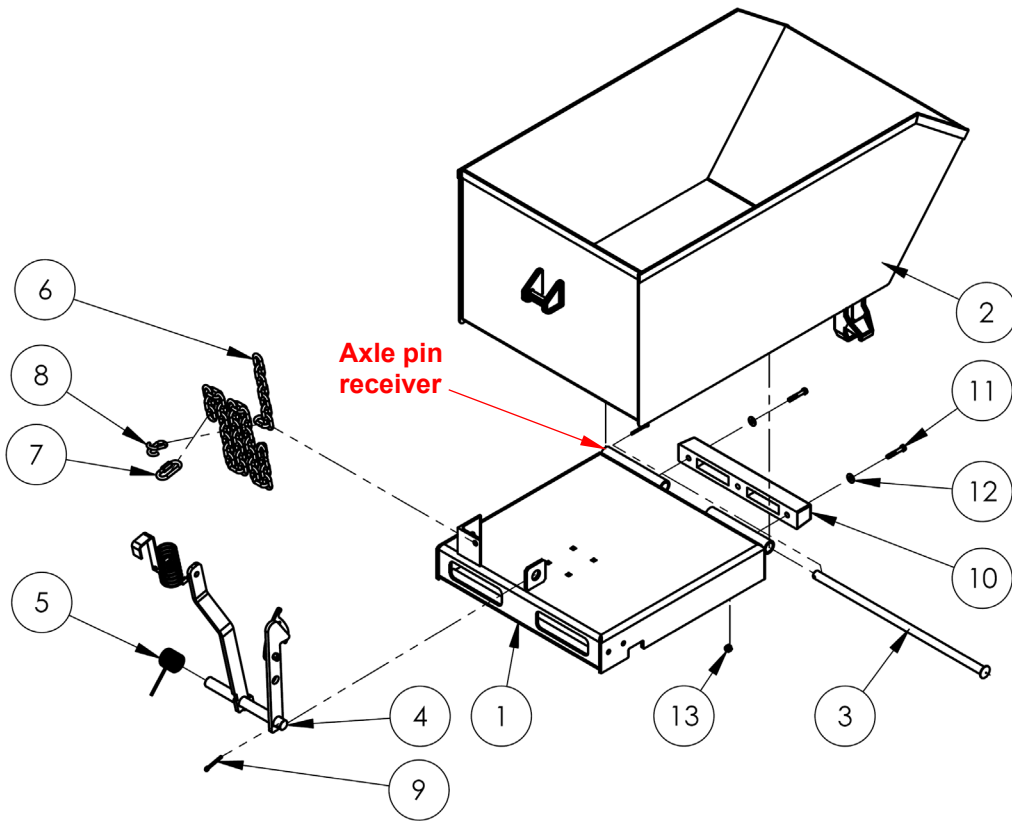


Item	Part no.	Description	Quantity
1	37-146-005	Spring, torsion, hopper release	1
2	29-048-061	Bumper, rubber	1
3	11061	$\frac{5}{16}$ " - 18 x 2" HHCS #2 zinc-plated bolt	2
4	37-112-046	Pin, hinge axle	1
5	65127	$\frac{3}{16}$ " x 2" zinc-plated cotter pin	2
6	33006	$\frac{5}{16}$ " USS zinc-plated flat washer	2
7	37021	$\frac{5}{16}$ "-18 Nylon lock nut	2
8	99-145-053	$\frac{5}{16}$ " quick link	1
9	37-545-032 37-545-003 37-545-037	Weldment, chute: H-25-LD H-25-MD H-25-HD	1 1 1
10	37-514-082	Weldment, frame, base	1
11	37-537-021	Weldment, lock, release, lever assembly	1
12	09-145-018	$\frac{5}{16}$ " chain, 56" long	1
13	99-145-084	Lap link	1

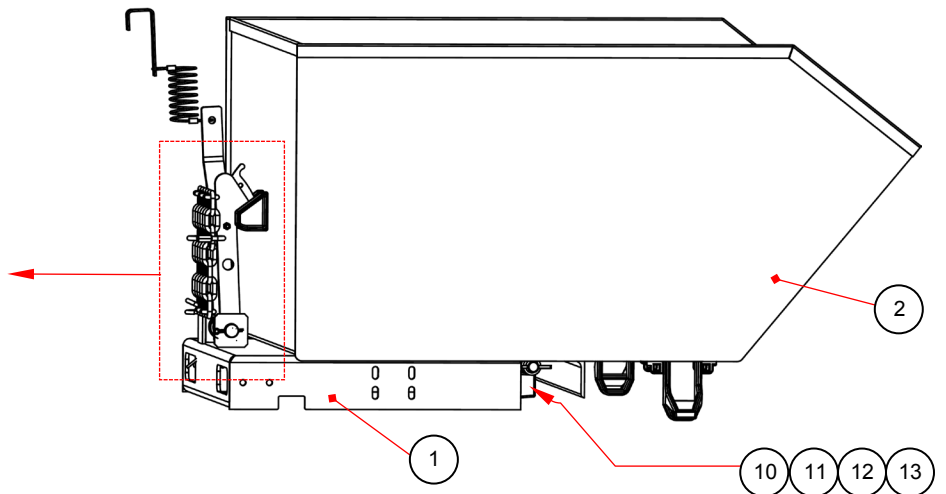
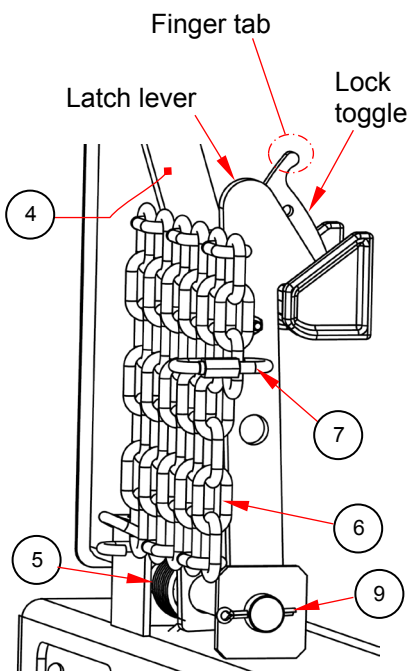


H-33 SERIES HOPPER EXPLODED VIEW AND BILL OF MATERIALS

37-006-147

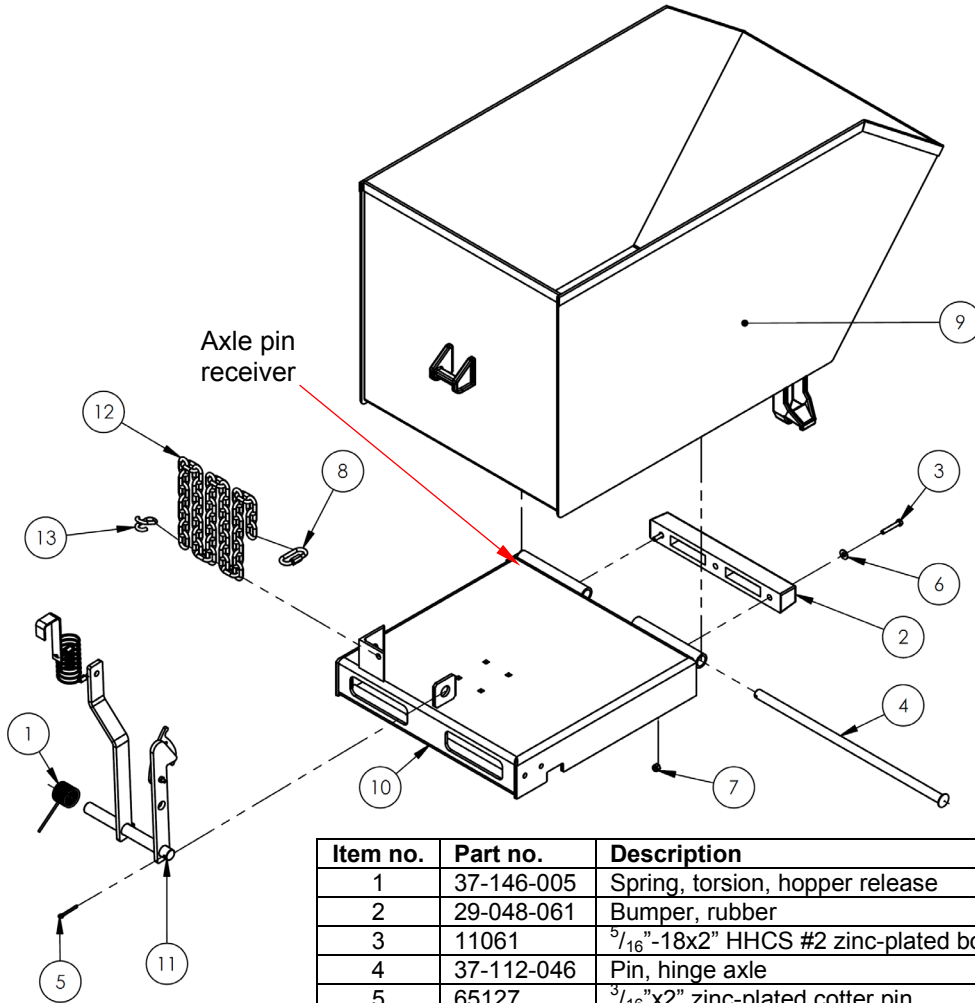


Item no.	Part no.	Description	Quantity
1	37-514-082	Weldment, frame, base	1
2	37-545-139	Weldment, chute: H-33-LD	1
	37-545-140	H-33-MD	1
	37-545-141	H-33-HD	1
3	37-112-046	Pin, hinge axle	1
4	37-537-021	Weldment, lock, release, lever assembly	1
5	37-146-005	Spring, torsion, hopper release	1
6	09-145-018	$\frac{5}{16}$ " chain, 56" long	1
7	99-145-053	$\frac{5}{16}$ " quick link	1
8	99-145-084	Lap link	1
9	65127	$\frac{3}{16}$ "x2" zinc-plated cotter pin	2
10	29-048-061	Bumper, rubber	1
11	11061	$\frac{5}{16}$ "-18x2" HHCS #2 zinc-plated bolt	2
12	33006	$\frac{5}{16}$ " USS zinc-plated flat washer	2
13	37021	$\frac{5}{16}$ "-18 Nylon lock nut	2

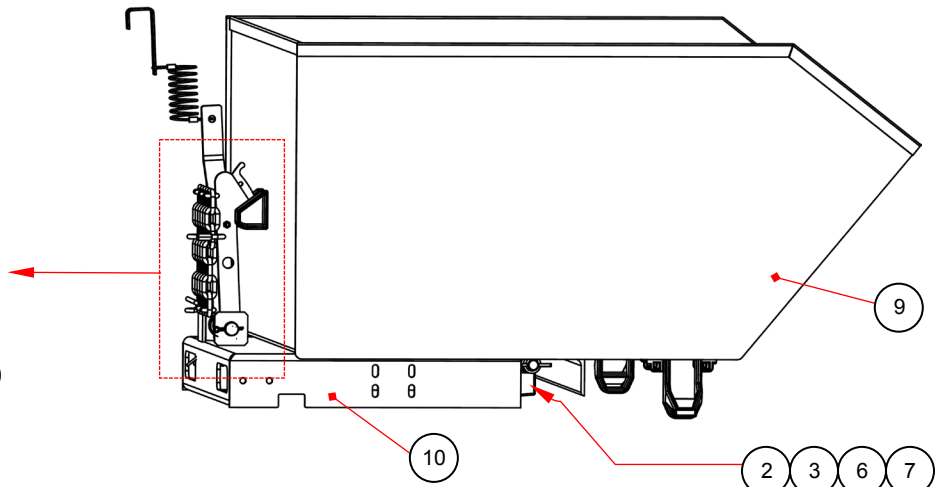
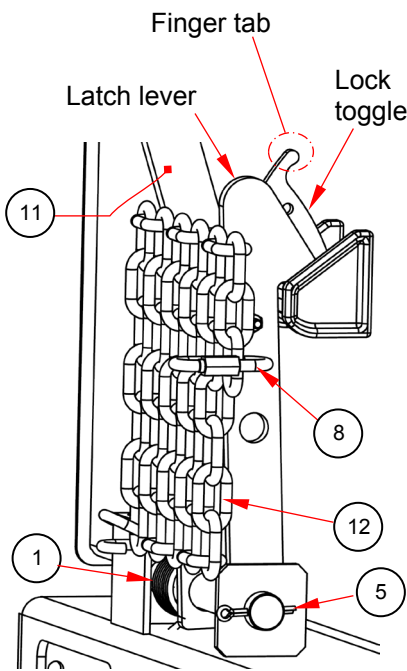


H-50 SERIES HOPPER EXPLODED VIEW AND BILL OF MATERIALS

37-006-036

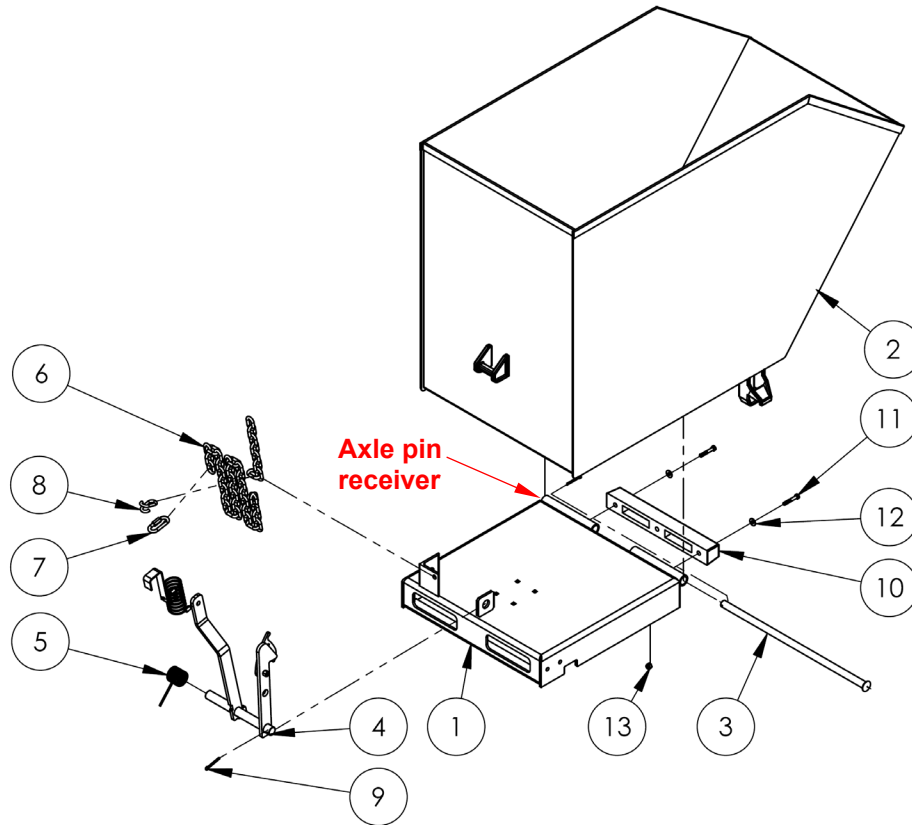


Item no.	Part no.	Description	Quantity
1	37-146-005	Spring, torsion, hopper release	1
2	29-048-061	Bumper, rubber	1
3	11061	$\frac{5}{16}$ "-18x2" HHCS #2 zinc-plated bolt	2
4	37-112-046	Pin, hinge axle	1
5	65127	$\frac{3}{16}$ "x2" zinc-plated cotter pin	2
6	33006	$\frac{5}{16}$ " USS zinc-plated flat washer	2
7	37021	$\frac{5}{16}$ "-18 Nylon lock nut	2
8	99-145-053	$\frac{5}{16}$ " quick link	1
9	37-545-033	Weldment, chute: H-50-LD	1
	37-545-004	H-50-MD	1
	37-545-038	H-50-HD	1
10	37-514-082	Weldment, frame, base	1
11	37-537-021	Weldment, lock, release, lever assembly	1
12	09-145-018	$\frac{5}{16}$ " chain, 56" long	1
13	99-145-084	Lap link	1

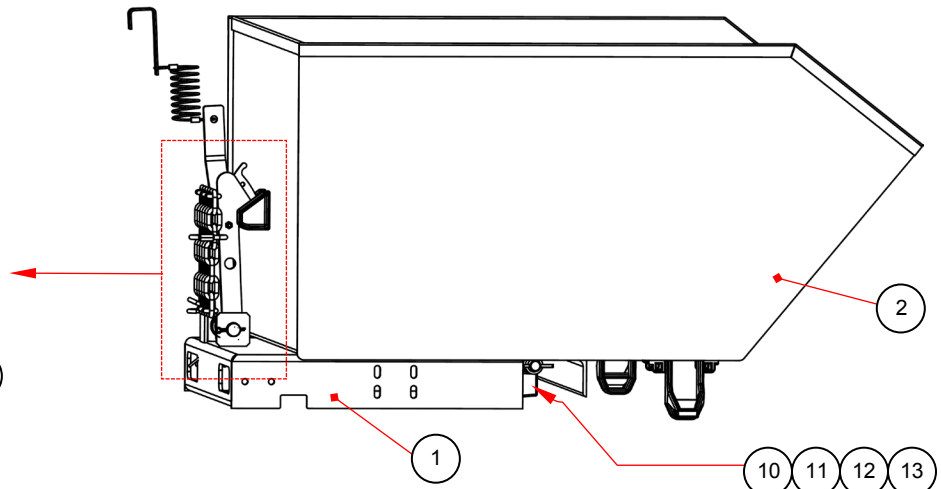
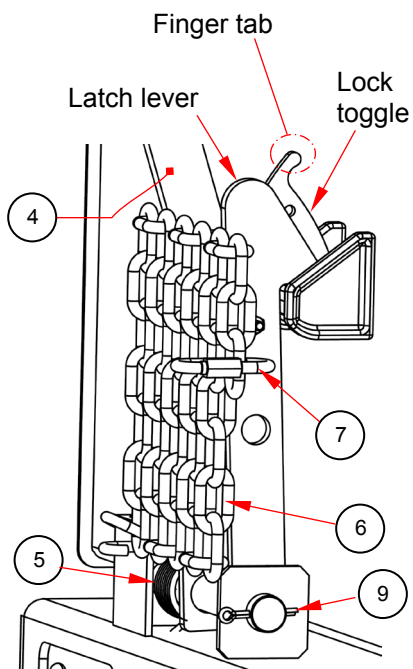


H-75 SERIES HOPPER EXPLODED VIEW AND BILL OF MATERIALS

37-006-150

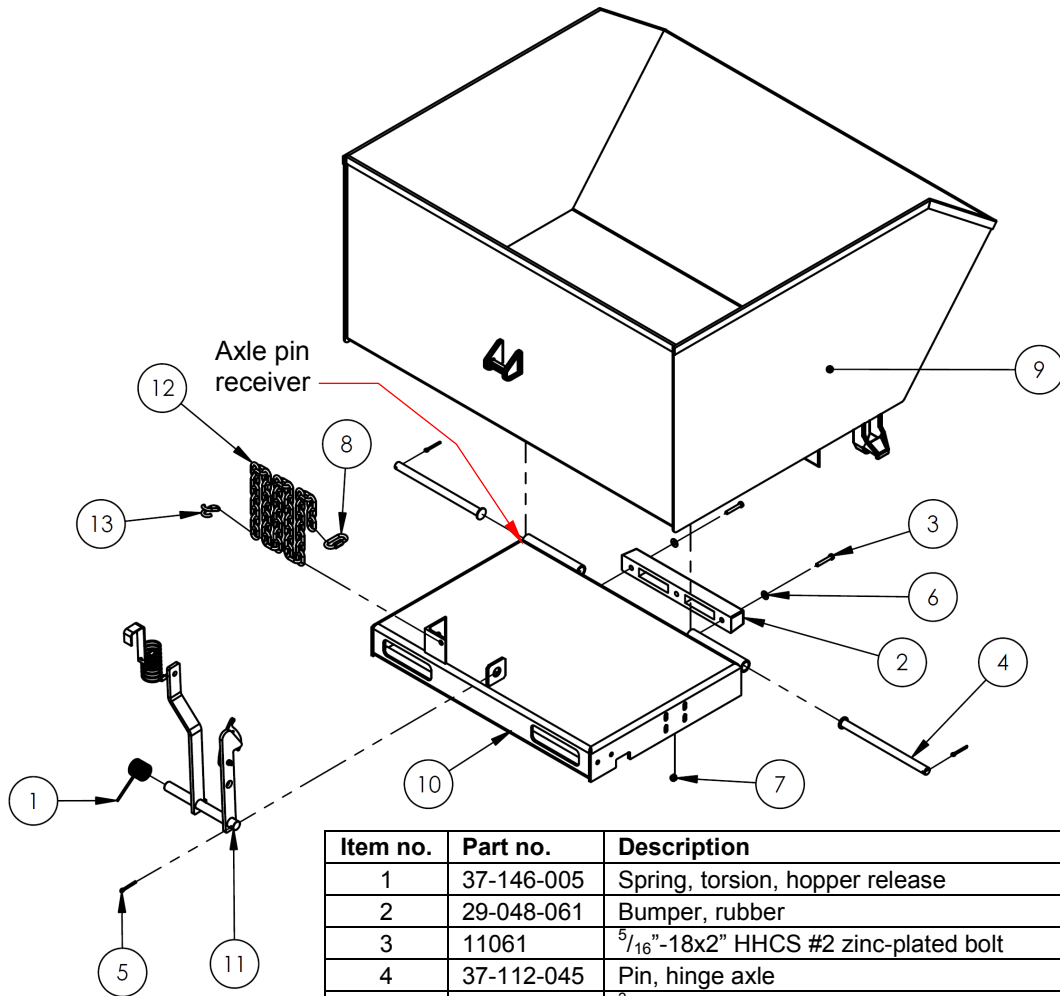


Item no.	Part no.	Description	Quantity
1	37-514-082	Weldment, frame, base	1
2	37-545-033	Weldment, chute: H-50-LD	1
	37-545-004	H-50-MD	1
	37-545-038	H-50-HD	1
3	37-112-046	Pin, hinge axle	1
4	37-537-021	Weldment, lock, release, lever assembly	1
5	37-146-005	Spring, torsion, hopper release	1
6	09-145-018	$\frac{5}{16}$ " chain, 56" long	1
7	99-145-053	$\frac{5}{16}$ " quick link	1
8	99-145-084	Lap link	1
9	65127	$\frac{3}{16}$ "x2" zinc-plated cotter pin	2
10	29-048-061	Bumper, rubber	1
11	11061	$\frac{5}{16}$ "-18x2" HHCS #2 zinc-plated bolt	2
12	33006	$\frac{5}{16}$ " USS zinc-plated flat washer	2
13	37021	$\frac{5}{16}$ "-18 Nylon lock nut	2

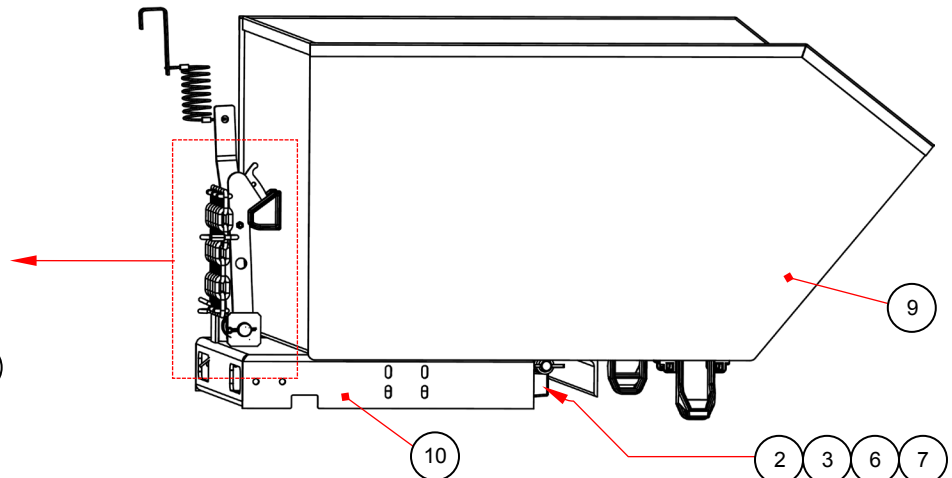
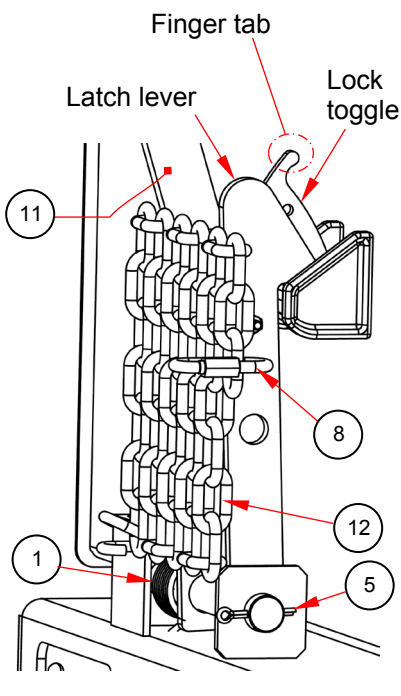


H-100-SERIES HOPPERS EXPLODED VIEW AND BILL OF MATERIALS

37-006-005

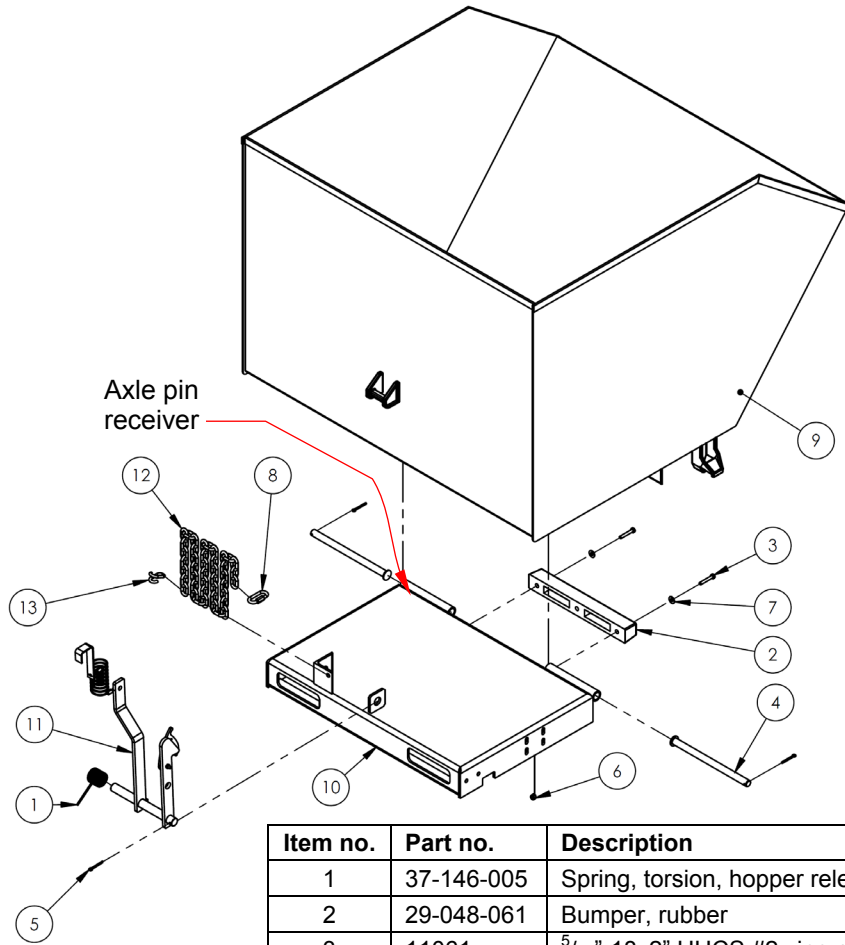


Item no.	Part no.	Description	Quantity
1	37-146-005	Spring, torsion, hopper release	1
2	29-048-061	Bumper, rubber	1
3	11061	$\frac{5}{16}$ "-18x2" HHCS #2 zinc-plated bolt	2
4	37-112-045	Pin, hinge axle	2
5	65127	$\frac{3}{16}$ "x2" zinc-plated cotter pin	3
6	33006	$\frac{5}{16}$ " USS zinc-plated flat washer	2
7	37021	$\frac{5}{16}$ "-18 Nylon lock nut	2
8	99-145-053	$\frac{5}{16}$ " quick link	1
9	37-545-034	Weldment, chute: H-100-LD	1
	37-545-008	H-100-MD	1
	37-545-039	H-100-HD	1
10	37-514-083	Weldment, frame, base	1
11	37-537-021	Weldment, lock, release, lever assembly	1
12	09-145-018	$\frac{5}{16}$ " chain, 56" long	1
13	99-145-084	Lap link	1

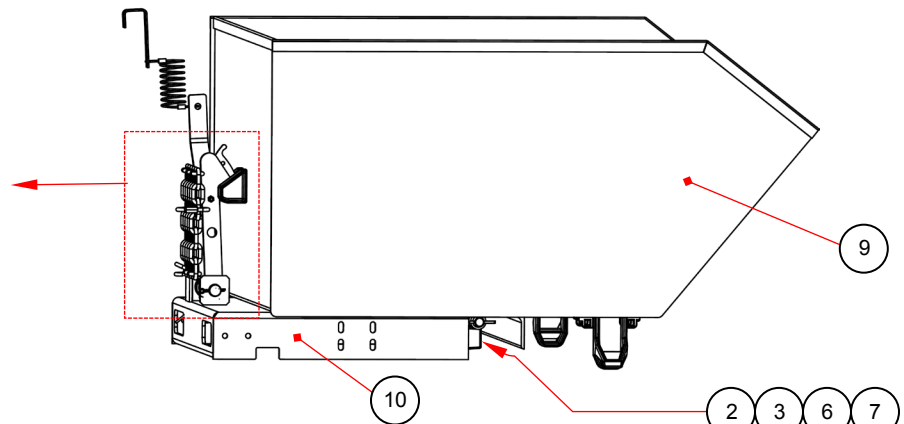
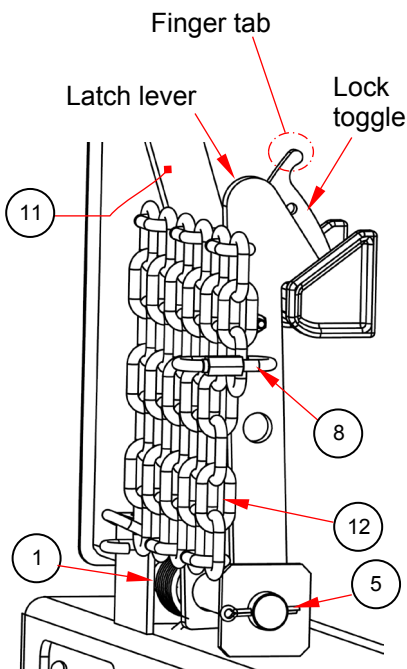


H-150-SERIES HOPPERS EXPLODED VIEW AND BILL OF MATERIALS

37-006-038

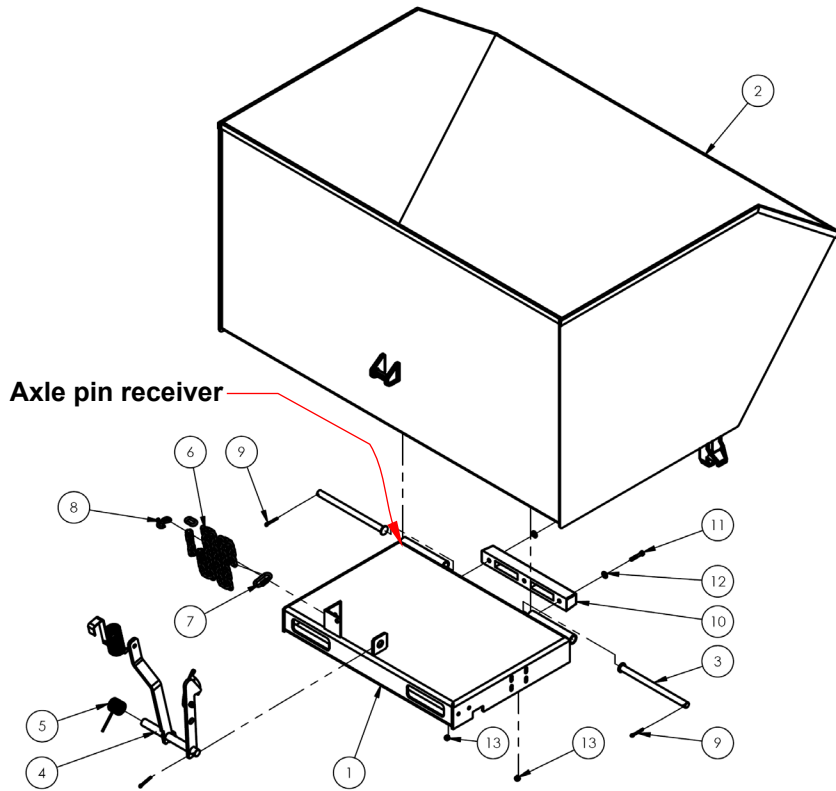


Item no.	Part no.	Description	Quantity
1	37-146-005	Spring, torsion, hopper release	1
2	29-048-061	Bumper, rubber	1
3	11061	$\frac{5}{16}$ "-18x2" HHCS #2 zinc-plated bolt	2
4	37-112-045	Pin, hinge axle	2
5	65127	$\frac{3}{16}$ "x2" zinc-plated cotter pin	3
6	37021	$\frac{5}{16}$ "-18 Nylon lock nut	2
7	33006	$\frac{5}{16}$ " USS zinc-plated flat washer	2
8	99-145-053	$\frac{5}{16}$ " quick link	1
9	37-545-035	Weldment, chute: H-150-LD	1
	37-545-009	H-150-MD	1
	37-545-040	H-150-HD	1
10	37-514-083	Weldment, frame, base	1
11	37-537-021	Weldment, lock, release, lever assembly	1
12	09-145-018	$\frac{5}{16}$ " chain, 56" long	1
13	99-145-084	Lap link	1

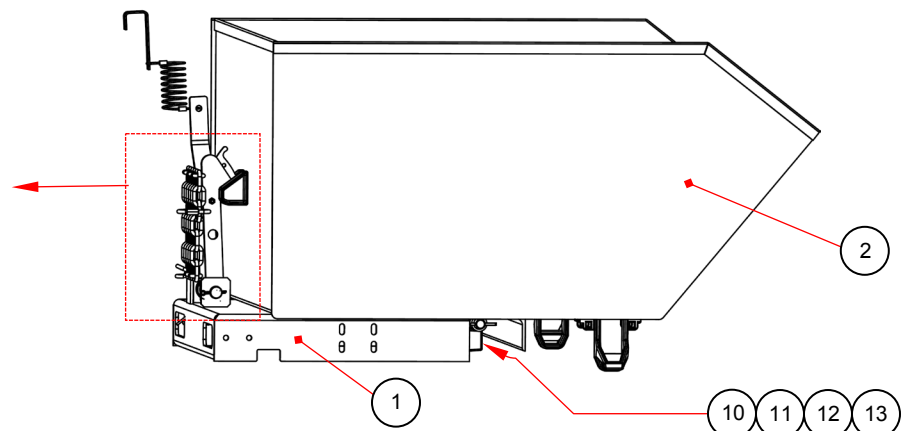
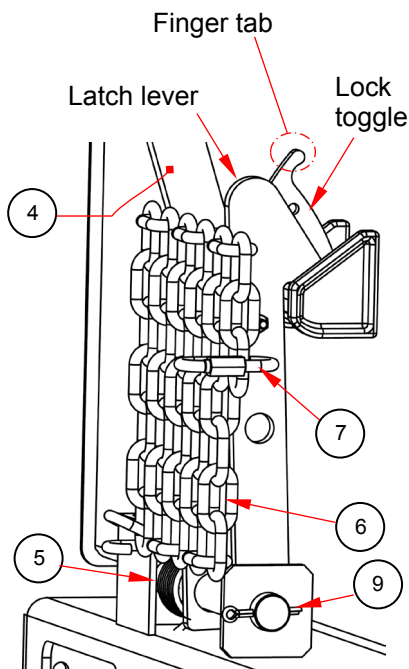


H-200-HD EXPLODED VIEW AND BILL OF MATERIALS

37-006-145



Item no.	Part no.	Description	Quantity
1	37-514-083	Weldment, frame, base	1
2	37-545-137	Weldment, chute	1
3	37-112-045	Pin, hinge axle	2
4	37-537-021	Weldment, lock, release lever assembly	1
5	37-146-005	Spring, torsion, hopper release	1
6	09-145-018	Chain, $\frac{5}{16}$ " x 56"	1
7	99-145-053	$\frac{5}{16}$ " quick link	1
8	99-145-084	Lap link	1
9	65127	Cotter pin, zinc plated, $\frac{3}{16}$ " x 2"	3
10	29-048-061	Bumper, rubber	1
11	11061	Bolt, HHCS, gr. 2, zinc-plated, $\frac{5}{16}$ " - 18 x 2"	2
12	33006	Flat washer, zinc plated, USS, $\frac{5}{16}$ "	2
13	37021	Nylon insert lock nut, gr. 2, zinc finish, $\frac{5}{16}$ " - 18	2



NATIONAL STANDARDS

US OSHA Rule 1910.178 (29 CFR 1910.178; the “Rule”) classifies this device as a “front-end attachment” whenever it is mounted on a lift truck. The Rule incorporates American National Standard ANSI/ITSDF B56.1 (the “Standard”). The Standard is published by the Industrial Truck Standards Development Foundation on its website (www.itsdf.org) where it is freely downloadable at <http://www.itsdf.org/cue/b56-standards.html>. **Before putting this device into service**, acquire a copy of the Standard. Apply all relevant parts of Part II: For the User. If instructions provided in this manual apparently conflict with the Standard, then apply the instructions in the Standard. Vestil requests that you immediately share any conflicts you discover with its [TECHNICAL SERVICE](#) personnel. Contact information is provided on the cover page of this manual.

LOADING THE CHUTE

Verify that the hopper chute is securely latched and locked to the base frame before filling it with refuse. Standard H-series hoppers are suitable for use indoors and outdoors and in most industrial and commercial settings. They are designed for use with rider forklift trucks. Put only non-hazardous wastes in the chute.

USING THE HOPPER

These hoppers have a low profile and chutes rotate through a 90° dump angle. To dump the hopper chute, a forklift operator must simply unlock the release lever and pull the release cable.

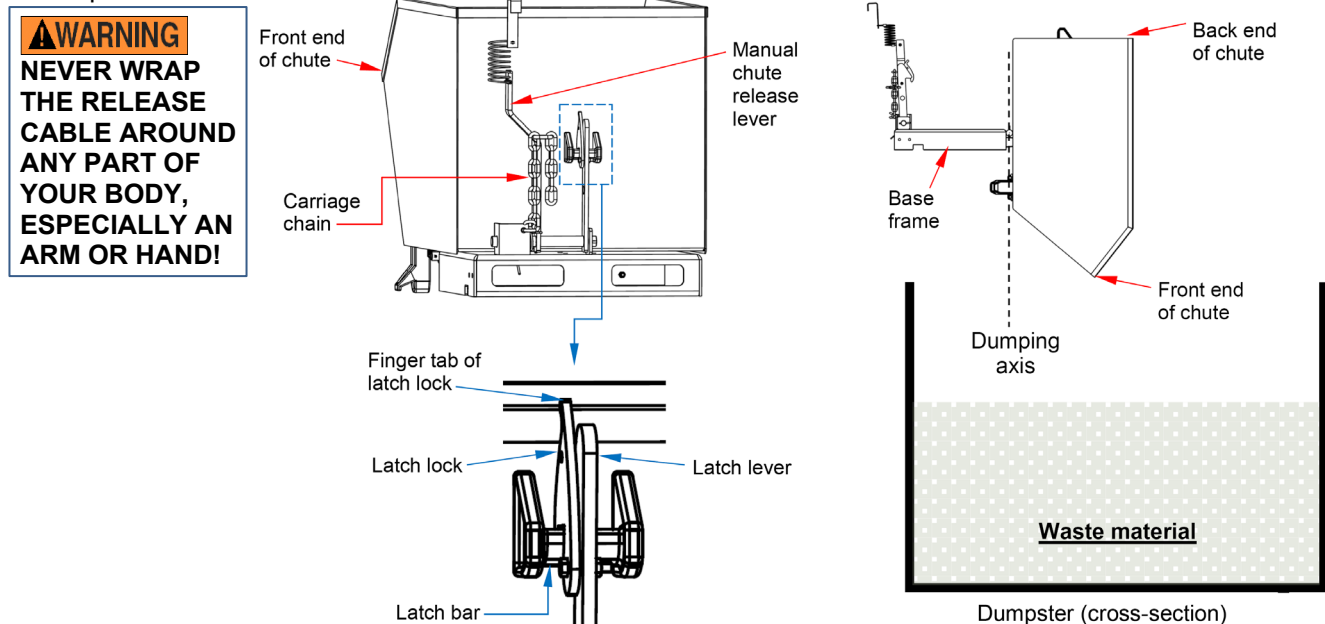
Step 1: Mount the hopper on the forks of your lift truck. Drive forward until the forks contact the ends of the fork slots. Securely attach the hopper to the fork carriage with the carriage chain by wrapping the free end of the chain around part of the carriage. Then, connect the quick link at the end of the chain to a link in the chain. There should be little to no slack in the chain.

Step 2: Store the handle of the release cable within reach of the forklift operator. For example, the handle could be hooked to the frame of the roll cage.

NOTE: Make sure that there is slack in the cable. If the cable is taut, bumps or sudden stops while driving might cause the chute to be released.

Step 3: Raise the forks and tilt the mast back/towards the cab. Only raise the forks a few inches above the ground. Drive the forklift to the trash dumpster. Pull the finger tab until the latch lock disengages the latch bar. See diagrams included in Step 4 below. Elevate the hopper above the sides of the dumpster.

Step 4: Pull the release cable to release the chute and dump its contents. The chute will pivot about the dump axis. If necessary, tilt the mast forward/away from the cab while pulling the release cable to encourage the chute to dump.



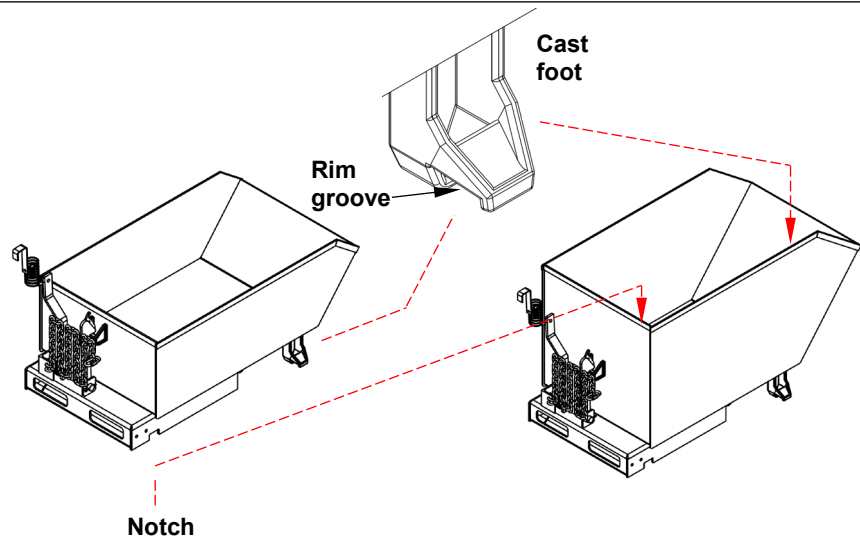
Step 5: Return the chute to the latched position. Tilt the forklift mast toward the cab; then back away from the dumpster. Lower the forks until the hopper contacts the ground; then slowly lower the forks the rest of the way to the ground until the chute latches to the base frame. Confirm that the chute is properly latched by raising the forks. The chute should not rotate. If necessary, lower the forks completely and manually latch the chute to the frame by pressing down on the back of the chute (see “H-series” diagram in Step 4). Alternatively, use the side of the dumpster to pivot the chute back onto the base frame.

Step 6: Lock the latch. Press the latch lock forward until it firmly engages the latch bar.

STACKING HOPPERS

H-series hoppers are designed to stack on top of each other. Notches in the base and rim grooves in specially designed cast feet of one hopper engage the rim of the hopper supporting it as shown in the diagram to the right.

Hoppers of identical width can be stacked together, i.e. H-25 and H-50 series hoppers stack together. H-100 and H-150 series hoppers also stack together. Always unload hoppers before stacking them and **NEVER** create stacks of more than 3 hoppers. The bottom hopper must not be equipped with casters.



⚠WARNING DO NOT move stacked hoppers! Only move one hopper at a time by properly mounting it to your forklift as described in Step 1 on p. 11. **All hoppers must be empty whenever they are stacked.**

RECORD OF SATISFACTORY CONDITION (THE “RECORD”)

Before using this hopper for the first time, create a record OF its appearance and features. Include descriptions of the chute, feet, base, carriage chain and quick link, pivot points and pivot point hardware, and the chute release mechanism. Release the chute. Describe how the unit looks and sounds as the chute rotates. Also describe the force necessary to release the chute using both the manual release lever and the cable. Secure the chute to the base and describe how the latch mechanism works. Thoroughly photograph the unit including all labels. Collate all writings and photographs into a single file. This file is a record of the unit in satisfactory condition. **Compare your results of all inspections to this record to determine if the unit is still in satisfactory condition.** Restore the hopper to satisfactory condition BEFORE using it again. Purely cosmetic changes, like damaged surface coating (paint or powdercoat) are not changes from satisfactory condition. However, touchup paint should be applied as soon as damage occurs to prevent rusting.

INSPECTIONS & MAINTENANCE

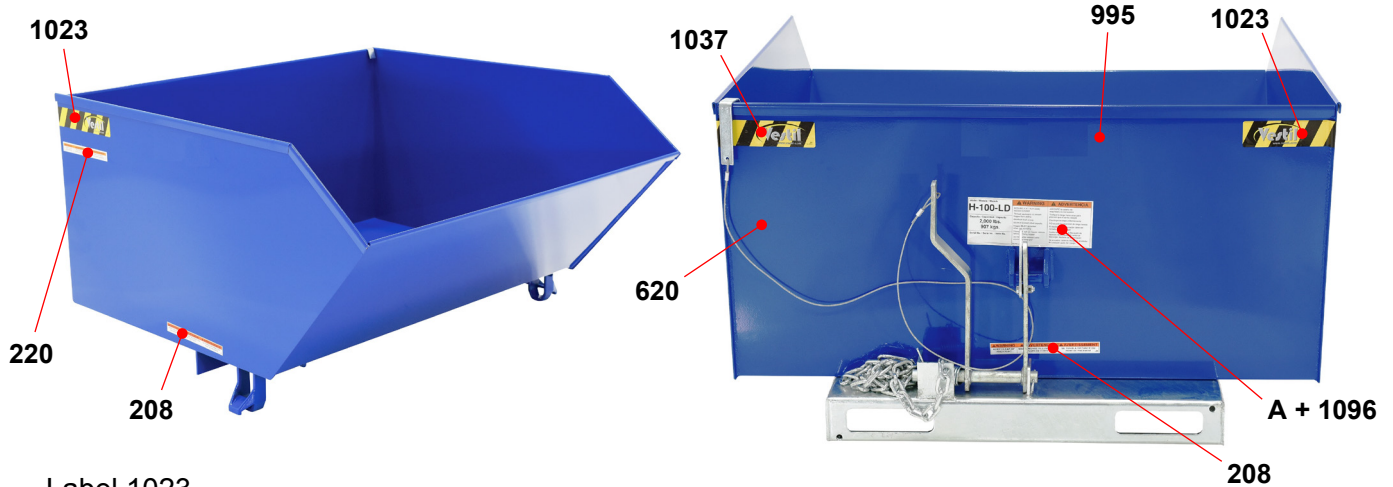
Inspections and repairs should only be performed by qualified persons. Compare the results of each inspection to the [RECORD OF SATISFACTORY CONDITION](#) (the “RECORD”). Do not use the hopper unless all parts are in satisfactory condition. Replace parts that are not in satisfactory condition before using the hopper again. **DON'T GUESS! If you have any questions about the condition of your hopper, speak with [TECHNICAL SERVICE personnel](#).** The phone number is provided on the cover page of this manual. **Never make temporary repairs of damaged or missing parts.** Only use manufacturer-approved replacement parts.

Make a dated record of the inspection that includes all observations and described repairs and/or replacements made.

- 1.) Pivot points: Look for excessive wear, warps, or damage to pivot pins, cotter pins, and pin receivers.
- 2.) Hopper chute and base frame: Examine the structure for damage, deformations, and corroded or excessively rusted areas.
- 3.) Hardware (bolts, nuts, pins, cotter pins, retaining rings): inspect hardware for looseness and severe wear. Tighten loose connections and replace all damaged hardware.
- 4.) Casters (if hopper is equipped with caster kit): check for looseness, excessive wear, or damage to the casters, caster bearings, mounting brackets, and hardware.
- 5.) Release mechanism: Torsion spring should cause the latch lever to automatically recoil. The lever should firmly engage the release lock bar. Check the release cable for frayed, thinned, or bird-caged regions.
- 6.) Moving parts: listen for unusual noises and watch for irregular movement. Remove dirt and debris from areas that could affect the hopper's dumping motion.
- 7.) Carriage chain: examine the carriage chain, its point of attachment to the base frame, and the quick links for damage.
- 8.) Labels: all labels must be firmly affixed in the locations shown in the [LABELING DIAGRAM](#) on p. 13.

LABELING DIAGRAM

The unit should be labeled as shown in the diagram. However, label content and location are subject to change so your product might not be labeled exactly as shown. Thoroughly photograph the unit when you first receive it as discussed in the *Record of Satisfactory Condition* section on p. 9. Make sure that your record includes a photograph of each label. Replace all labels that are, or later become, damaged, missing, or not easily readable (e.g. faded). To order replacement labels, contact the *Parts Department* online at http://www.vestilmfg.com/parts_info.htm. Alternatively, you may call (260) 665-7586 and ask the operator to connect you to the *Parts Department*.



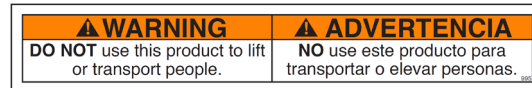
Label 1023



Label 1037



Label 995



Label 620: Left side in line with release handle

⚠ WARNING	
	DO NOT wrap release cable around hand. Severe injury or amputation might occur if cable wrapped around body part when chute dumped.
STAY CLEAR of hopper when dumping. DO NOT hook manual release handle on hopper when using bumper release. Each person who uses this hopper should have access to the user manual. Copies of the manual can be downloaded from www.vestil.com .	
⚠ ADVERTENCIA	
NO AGARRAR el cable con la mano. Puede causar un daño severo o amputación si el cable se envuelve alrededor del cuerpo al estar descargando la tolva.	
MANTENTE ALEJADO de la tolva al descargar. Nunca agarrar el gancho de la tolva. Cada persona que use la tolva debe de usar el manual, las copias se pueden descargar de la dirección www.vestil.com .	

A: Model specific label (627 shown); See table.

Model / Modelo / Modèle	⚠ WARNING	⚠ ADVERTENCIA
H-25-LD	<ul style="list-style-type: none"> Securely attach hopper to forklift with safety restraint. Tilt forklift mast back to prevent hopper from sliding. DO NOT exceed rated capacity Release latch MUST be locked when not dumping. Disengage latch lock before dumping. DO NOT stack more than 3 hoppers. Stacked hopper must be empty. DO NOT move stacked hoppers. Move hoppers one at a time. Stack hoppers of identical width: <ul style="list-style-type: none"> a) H-25 stack with H-50 hoppers b) H-100 stack with H-150 hoppers 	<ul style="list-style-type: none"> Asegurar la tolva al montacargas con restricción de seguridad Inclinar el mástil de la carretilla hacia atrás para prevenir que la tolva se deslice. NO EXCEDER la capacidad nominal El pestillo de seguridad DEBE estar bloqueado cuando no se ope. Desenganchar el pestillo antes de vaciar NO APILAR más de 3 tolvas Las tolvas apiladas deben estar vacías NO MOVER las tolvas apiladas Mover de uno en uno Apilar las tolvas con la misma anchura <ul style="list-style-type: none"> a) Tolva H-25 apilar con H-50 b) Tolva H-100 apilar con H-150
Capacity / Capacidad / Capacité 2,000 lb. 907 kg		
Serial No. / Serie No. / Serie No.		

*Label 1096

⚠ WARNING	⚠ ADVERTENCIA
Improperly stacking hoppers could result in serious personal injuries and/or property damage.	Apilar las tolvas inapropiadamente puede resultar en lesiones personales y/o daños a la propiedad.
<ul style="list-style-type: none"> Do not stack more than 3 hoppers. Hoppers must be empty when stacked. Only stack hoppers of identical width: <ul style="list-style-type: none"> o H-25 & H-50 series hoppers stack together o H-100 & H-150 series hoppers stack together 	<ul style="list-style-type: none"> No apilar mas de 3 tolvas. Las tolvas deben estar vacías. Solo apilar tolvas con anchuras idénticas: <ul style="list-style-type: none"> o Tolvas con series H-25 y H-50 pueden ir juntas o Tolvas con series H-100 y H-150 pueden ir juntas

* Not necessary if model specific label includes 1096 wording.

Model	Label
H-25-LD	627
H-25-MD	549
H-25-HD	538
H-33-LD	1146
H-33-MD	1147
H-33-HD	1148
H-50-LD	629
H-50-MD	535
H-50-HD	628
H-75-LD	1150
H-75-MD	1151
H-75-HD	1152
H-100-LD	533
H-100-MD	536
H-100-HD	539
H-150-LD	534
H-150-MD	537
H-150-HD	590
H-200-HD	1093

Label 208

⚠ WARNING	⚠ ADVERTENCIA	⚠ AVERTISSEMENT
KEEP CLEAR OF PINCH POINT	MANTENGASE ALEJADO DEL PUNTO DE CORTE	SE TENIR À DISTANCE DU POINT DE PINCEMENT

Label 220

⚠ WARNING	⚠ ADVERTENCIA	⚠ AVERTISSEMENT
KEEP CLEAR WHEN IN USE	MANTENGASE ALEJADO CUANDO SE ESTA OPERANDO	SE TENIR À DISTANCE LORS DU FONCTIONNEMENT

LIMITED WARRANTY

Vestil Manufacturing Corporation (“Vestil”) warrants this product to be free of defects in material and workmanship during the warranty period. Our warranty obligation is to provide a replacement for a defective, original part covered by the warranty after we receive a proper request from the Warrantee (you) for warranty service.

Who may request service?

Only a warrantee may request service. You are a warrantee if you purchased the product from Vestil or from an authorized distributor AND Vestil has been fully paid.

Definition of “original part”?

An original part is a part used to make the product as shipped to the Warrantee.

What is a “proper request”?

A request for warranty service is proper if Vestil receives: 1) a photocopy of the Customer Invoice that displays the shipping date; AND 2) a written request for warranty service including your name and phone number. Send requests by one of the following methods:

<u>US Mail</u>	<u>Fax</u>	<u>Email</u>
Vestil Manufacturing Corporation 2999 North Wayne Street, PO Box 507 Angola, IN 46703	(260) 665-1339 <u>Phone</u> (260) 665-7586	info@vestil.com Enter “Warranty service request” in subject field.

In the written request, list the parts believed to be defective and include the address where replacements should be delivered. After Vestil receives your request for warranty service, an authorized representative will contact you to determine whether your claim is covered by the warranty. Before providing warranty service, Vestil will require you to send the entire product, or just the defective part (or parts), to its facility in Angola, IN.

What is covered under the warranty?

The warranty covers defects in the following original, dynamic parts: motors, hydraulic pumps, electronic controllers, switches, and cylinders. It also covers defects in original parts that wear under normal usage conditions (“wearing parts”), such as bearings, hoses, wheels, seals, brushes, and batteries.

How long is the warranty period?

The warranty period for original dynamic components is 1 year. For wearing parts, the warranty period is 90 days. Both warranty periods begin on the date Vestil ships the product to the Warrantee. If the product was purchased from an authorized distributor, the periods begin when the distributor ships the product. Vestil may, at its sole discretion, extend a warranty period for products shipped from authorized distributors by up to 30 days to account for shipping time.

If a defective part is covered by the warranty, what will Vestil do to correct the problem?

Vestil will provide an appropriate replacement for any *covered* part. An authorized representative of Vestil will contact you to discuss your claim.

What is not covered by the warranty?

The Warrantee (you) are responsible for paying labor costs and freight costs to return the product to Vestil for warranty service.

Events that automatically void the Limited Warranty.

- Misuse;
- Negligent assembly, installation, operation or repair;
- Installation/use in corrosive environments;
- Inadequate or improper maintenance;
- Damage sustained during shipping;
- Collisions or other accidents that damage the product;
- Unauthorized modifications: Do not modify the product IN ANY WAY without first receiving written authorization from Vestil.

Do any other warranties apply to the product?

Vestil Manufacturing Corp. makes no other express warranties. All implied warranties are disclaimed to the extent allowed by law. Any implied warranty not disclaimed is limited in scope to the terms of this Limited Warranty. Vestil makes no warranty or representation that this product complies with any state or local design, performance, or safety code or standard. Noncompliance with any such code or standard is not a defect in material or workmanship.

