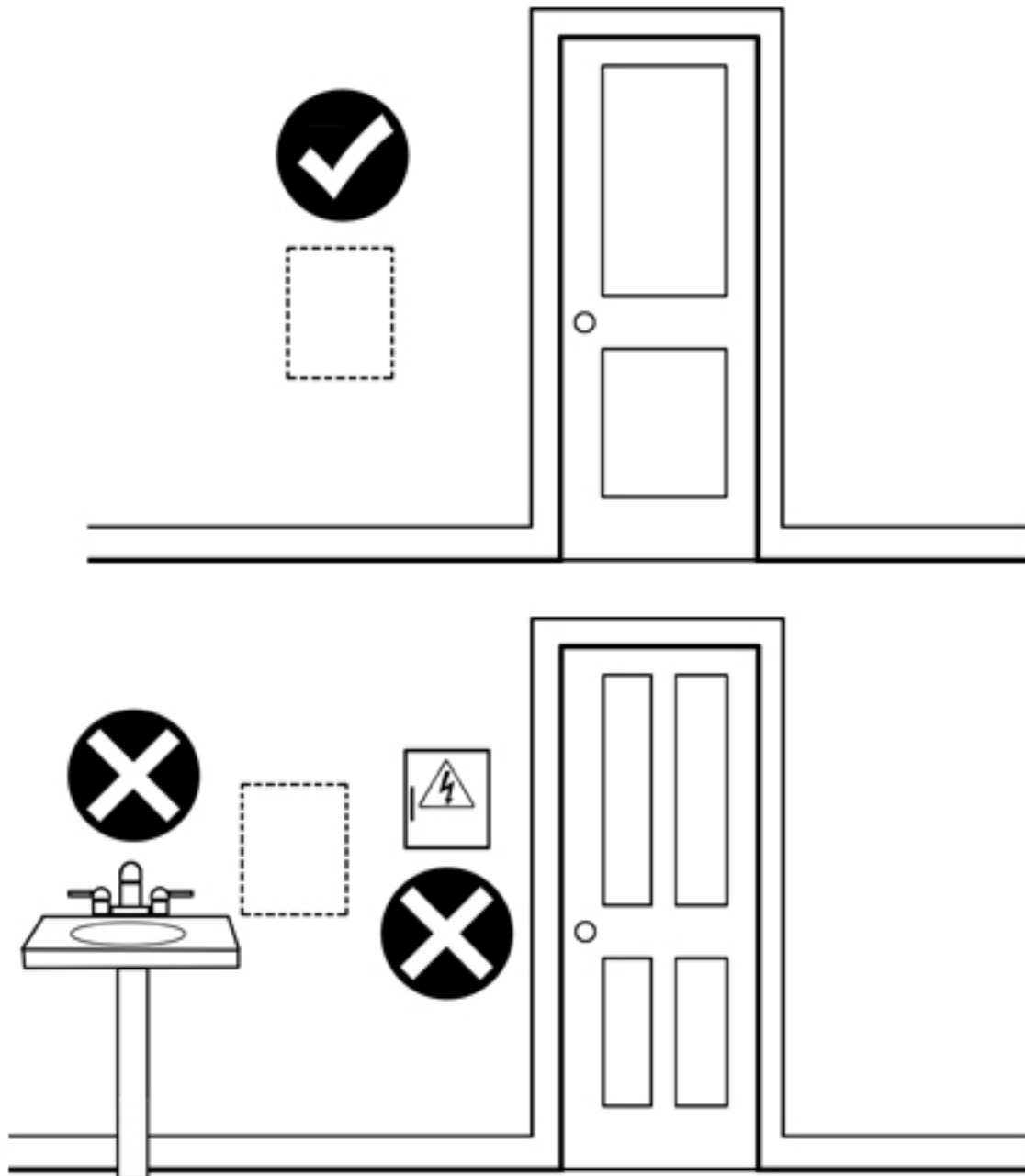


DURABOX D700 THROUGH-WALL DROP BOX INSTALLATION GUIDE

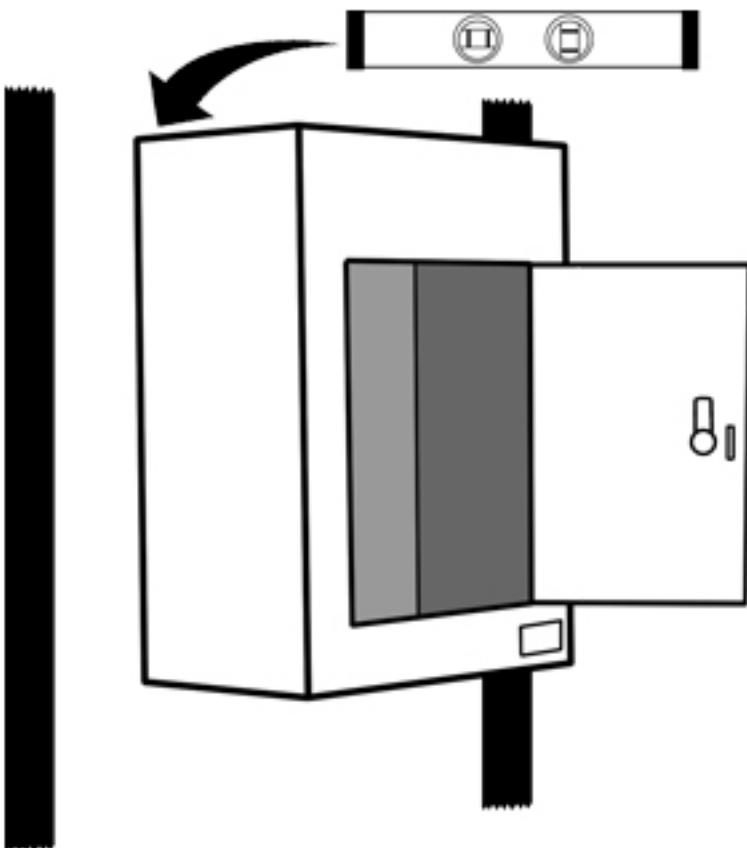
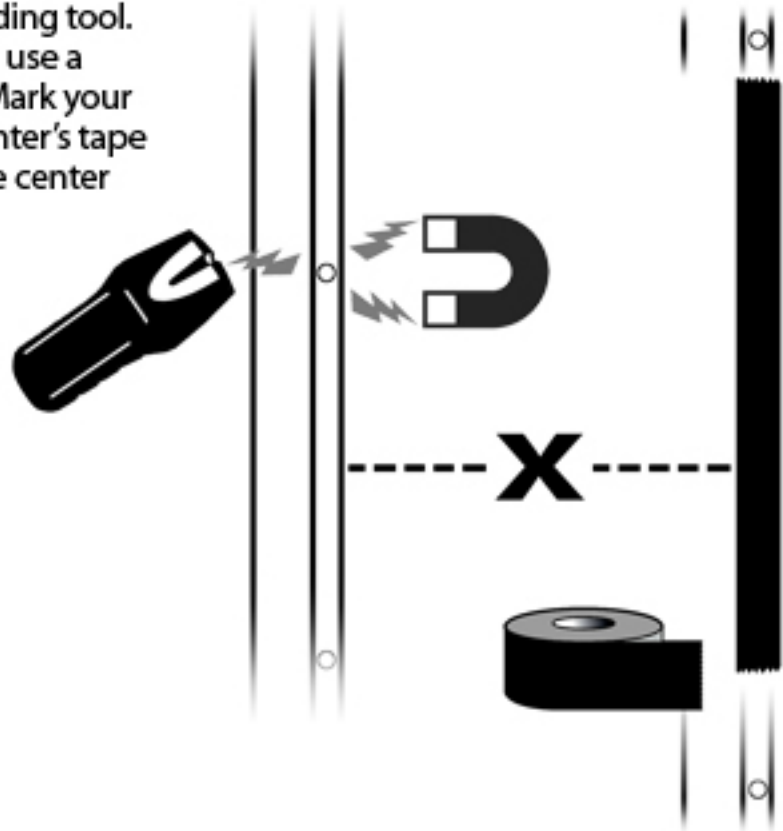
Installation guide is designed to assist professionals with installation and is meant to be used as general guidelines only. Your drop box and mounting requirements may vary. Professional installation required. Phone support is not available.

This drop box must be installed indoors. It may affect the fire rating of the wall in which it is installed.

1) Working from inside the building, drop box's item-retrieval door. Locate the approximate area on the wall where you would like to install the drop box. Must be between the wall studs. Areas with plumbing, electrical, or other hidden obstacles should be avoided. Note that the drop chute opening will be up to 5" above the top of the item retrieval door so make sure to position conveniently and avoid any obstacles on both sides of the wall.

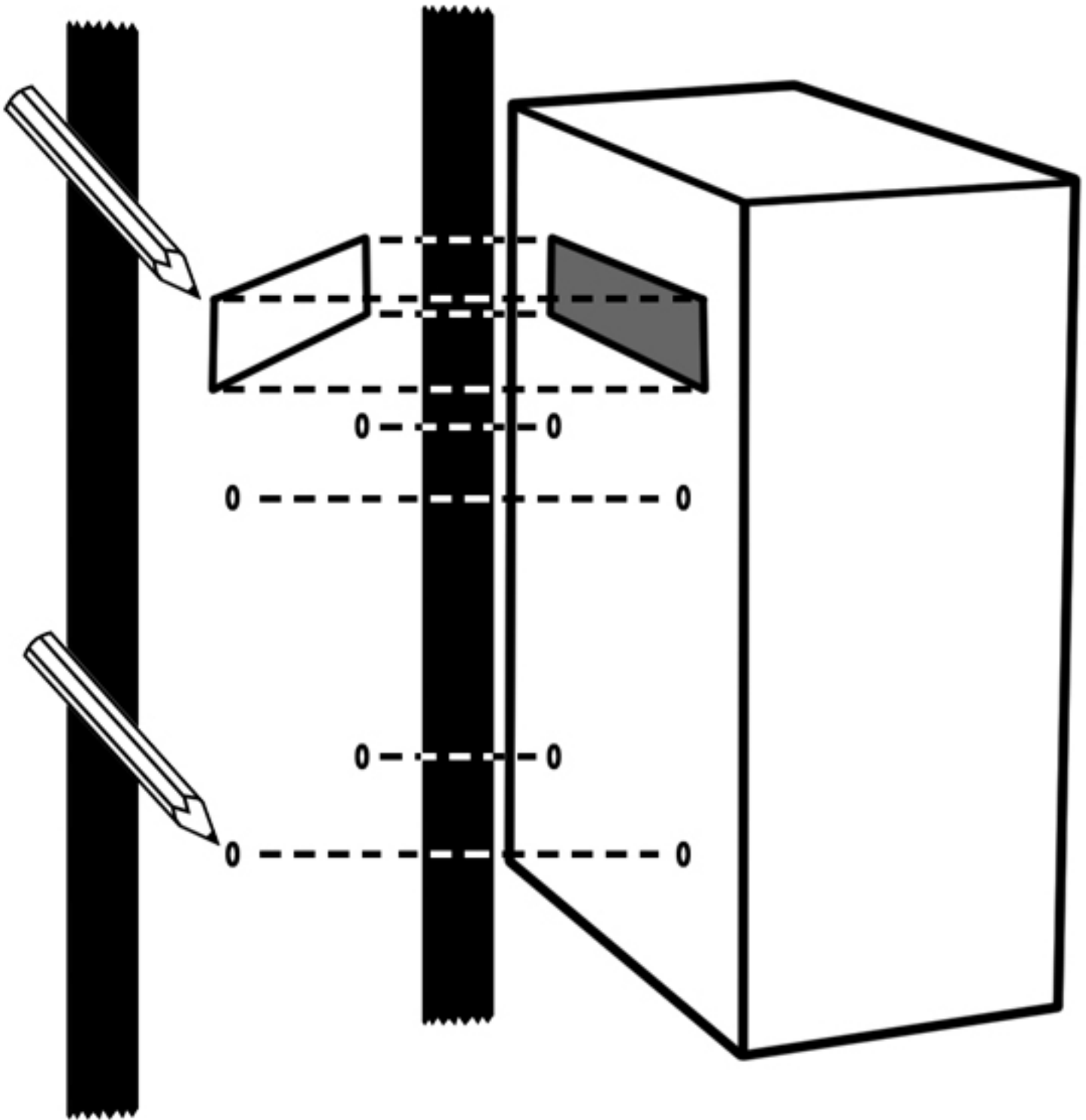


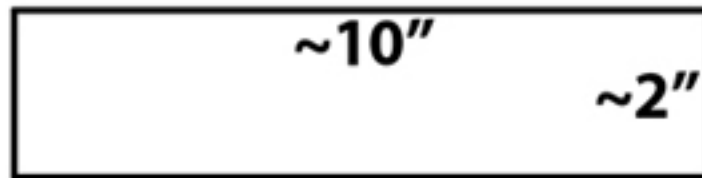
2) Find the studs using a stud finding tool. If you do not have a stud finding tool, use a magnet to locate screws in the wall. Mark your stud location with a piece of blue painter's tape along the length of the stud. Mark the center between the two studs.



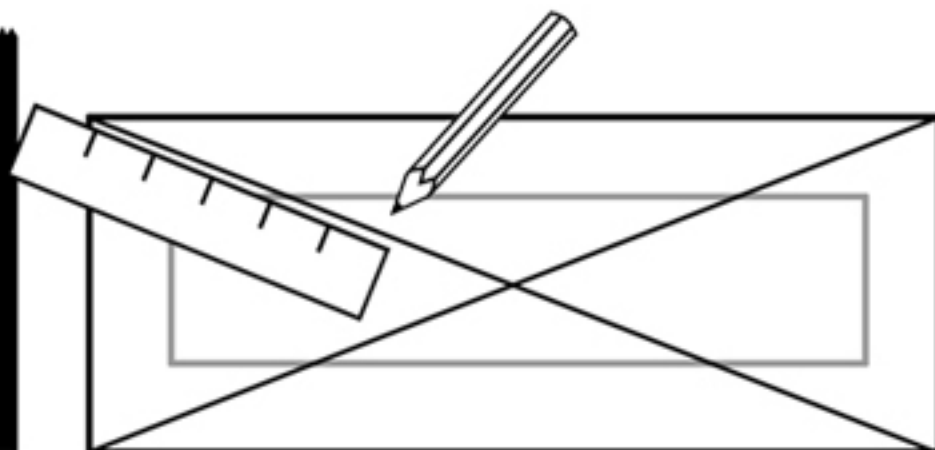
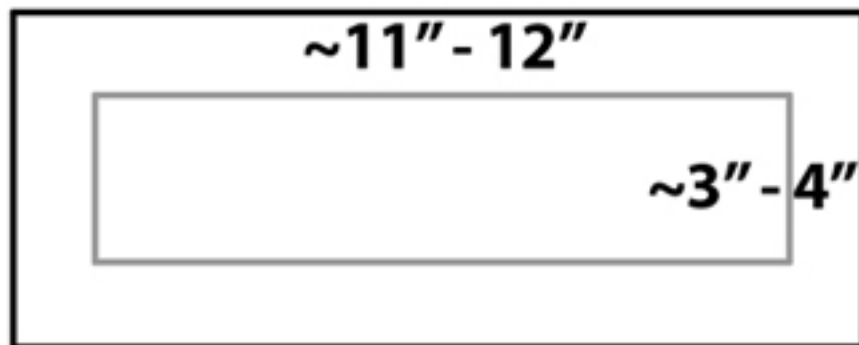
3a) Place the drop box against the wall with item retrieval door facing you. Using a level, position it in desired location with the chute opening positioned between both pieces of blue tape.

3b) Open the item retrieval door, mark the four lower holes with a pencil, and trace out the rectangle of the chute opening.

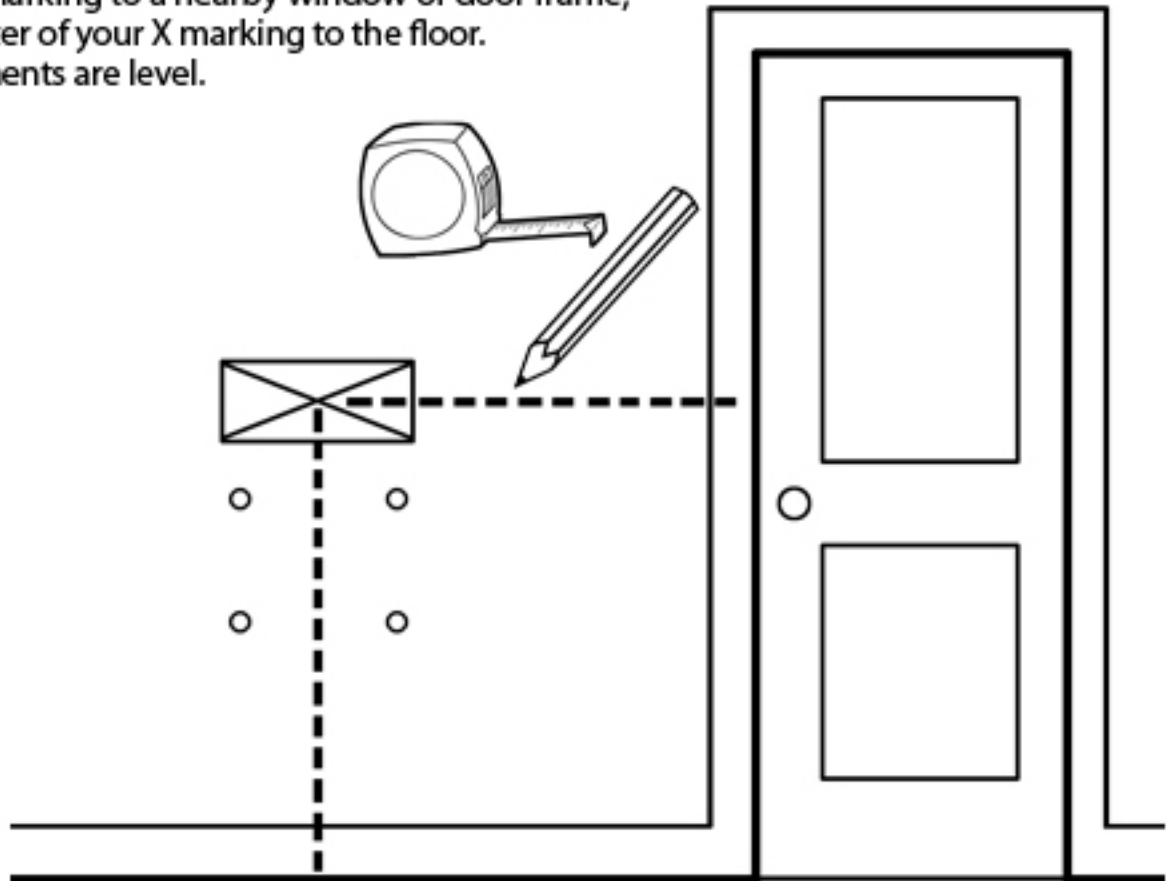




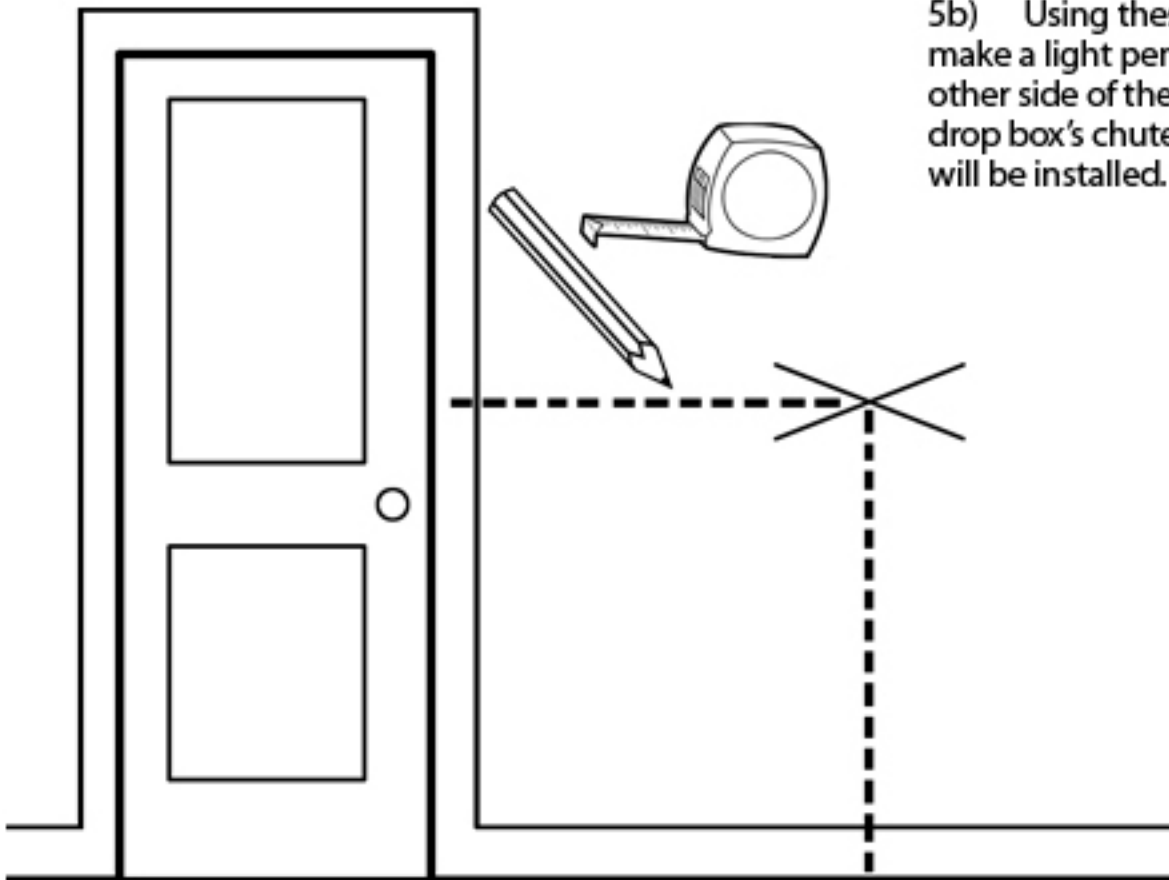
- 4) The rectangle trace should be about 2" H by 10" W. Add another 1-2" buffer to this rectangle. Use a ruler to connect the four corners of the rectangle to draw an X.



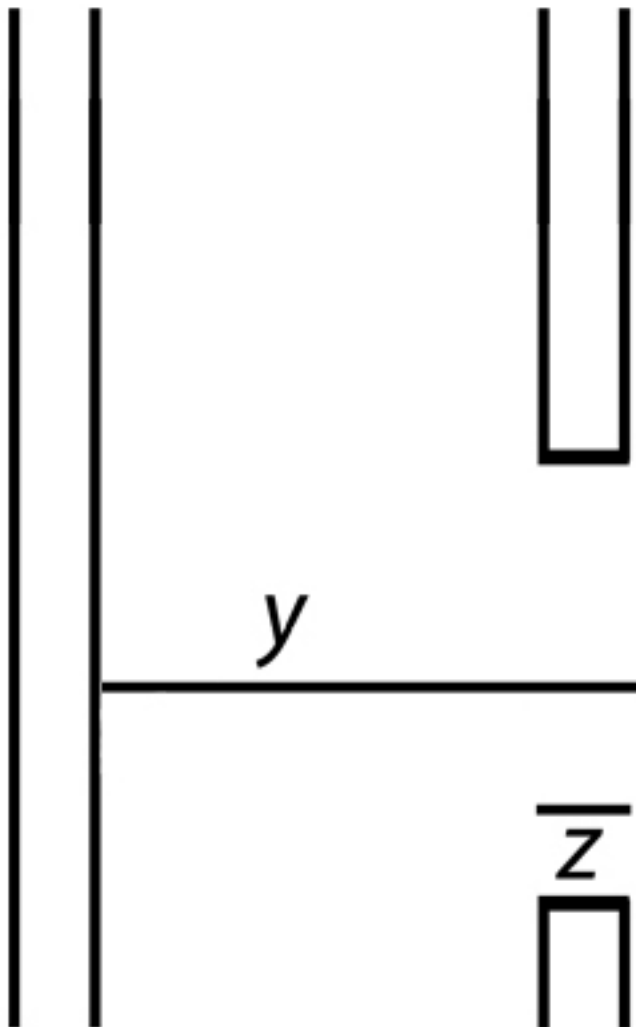
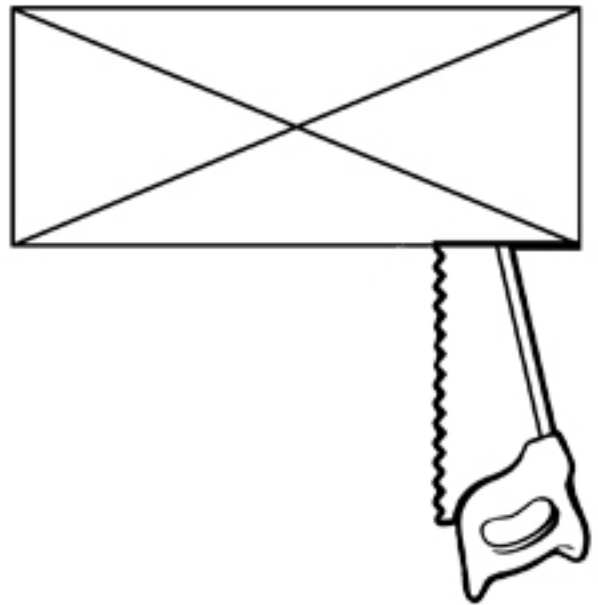
5a) Using a tape measure, measure side-to-side from the center of your X marking to a nearby window or door frame, and from the center of your X marking to the floor. Ensure measurements are level.



5b) Using these measurements, make a light pencil mark on the other side of the wall where the drop box's chute opening will be installed.

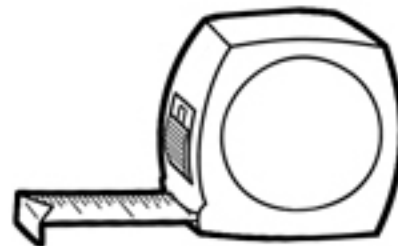


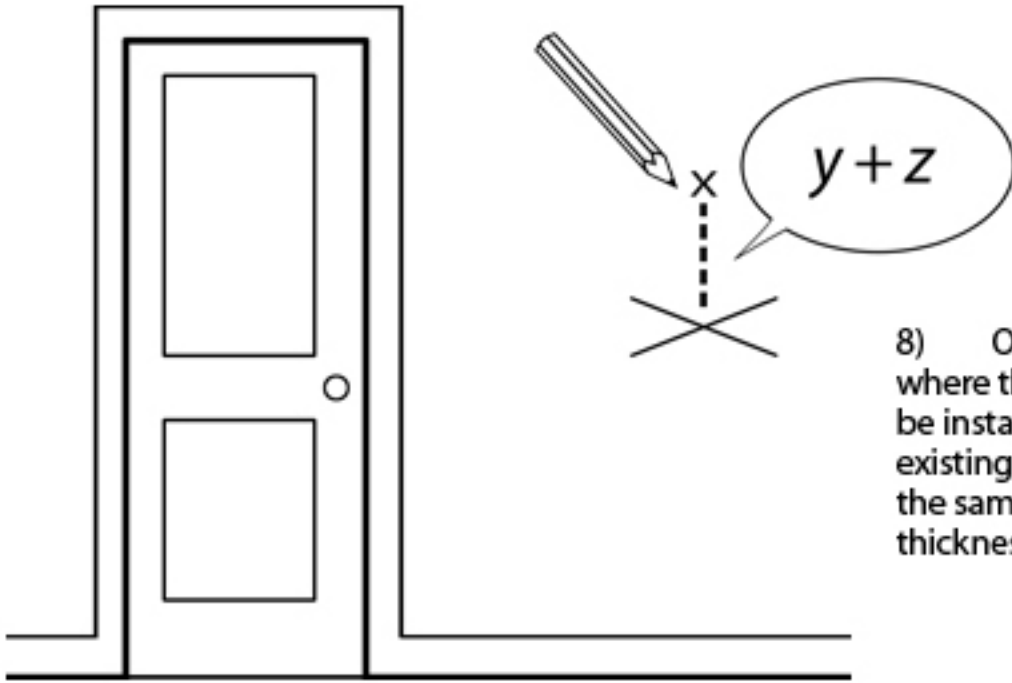
6) Confirm the wall has no obstructions, and cut open the rectangular X section traced in previous step. If insulation exists, cut it and push it both up and down, and out of your way.



7) Use a measuring tape to determine wall thickness by measuring the depth of the hole you just cut to the outside edge of the wall. Then add the thickness of the drywall you just cut to your total, which will give you the total wall thickness (accounting for the uncut side). Note this wall thickness for the next step.

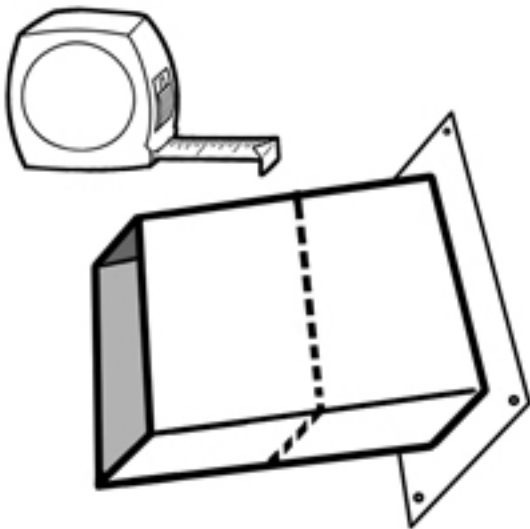
Most drywall walls are a 3-5/8" stud with a sheet of 5/8" drywall on each side so the total thickness might be 4-7/8".



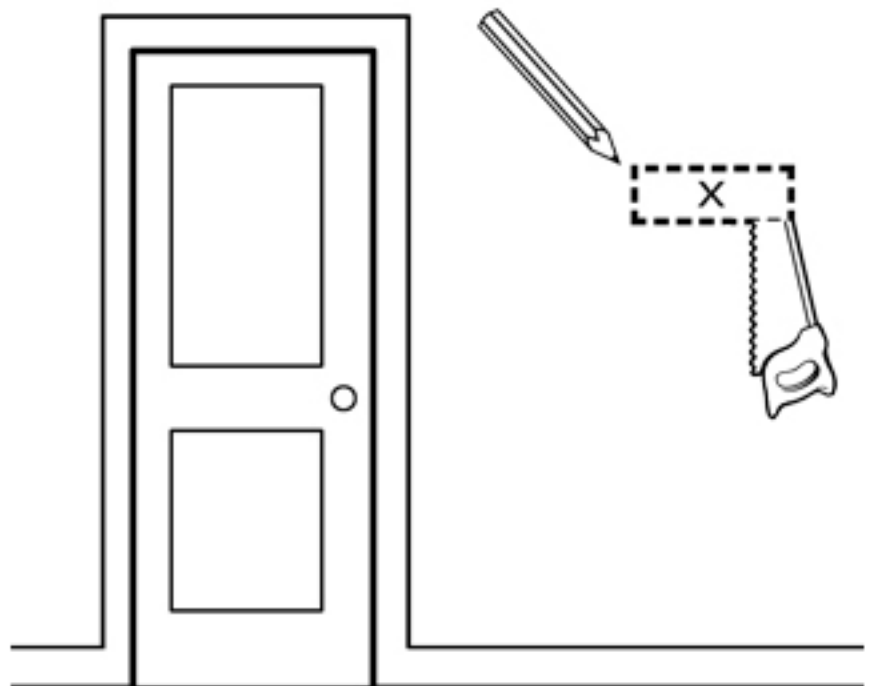


8) On the other side of the wall, where the drop chute opening will be installed, measure up from your existing pencil marking (from step 4) the same distance as the wall's thickness and mark with a pencil.

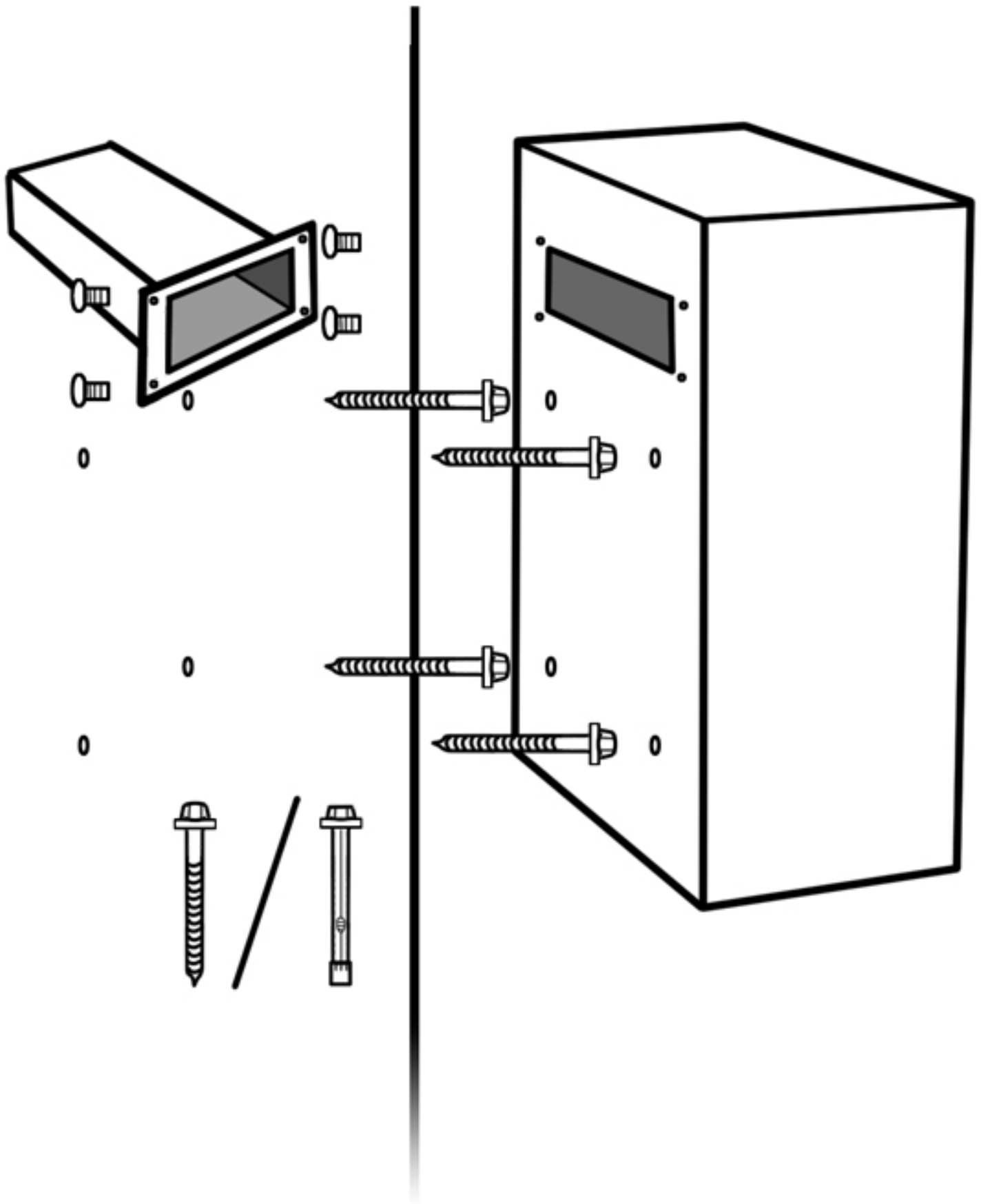
9a) Measure the through-wall section of the chute that connects both sides (the chute that connects the drop chute and the drop box).



9b) Add an extra 1/8" to this measurement and draw a rectangle centered on the new mark. Cut this opening, which will be used for the drop chute. Note that your chute may be slightly taller or wider than this general specification.



10) Mount the lower chute onto the drop box using the short brass machine screws. Use the longest wood screws to mount the drop box to the drywall. Drywall anchors may be necessary. Drop box weighs 28.5 lbs empty.



11) Moving to the other side of the wall, test fit the drop chute and confirm that it connects to the lower chute/dropbox. If your drop chute does not fit, remove the drop box and adjust from that side of the wall as this will give you more room to cut. After confirming fitment, use the short wood screws to attach the drop chute to the wall.

