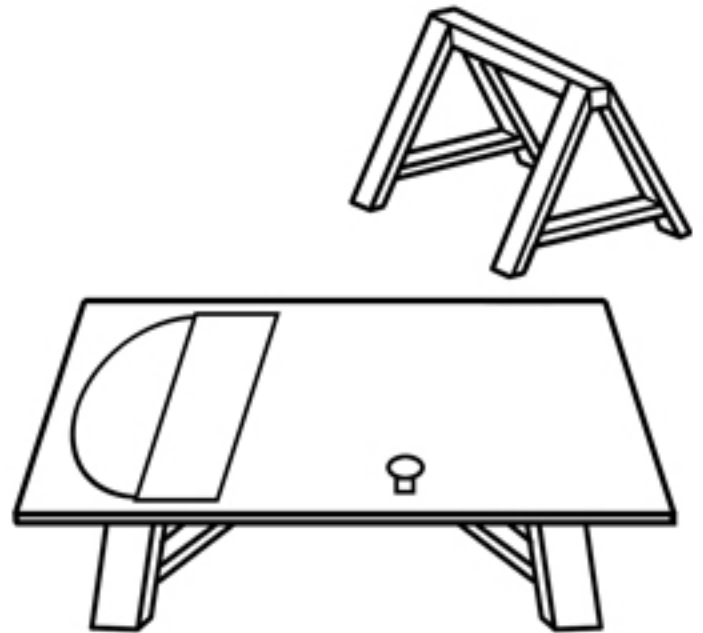


## DURABOX D500 THROUGH-DOOR DROP BOX INSTALLATION GUIDE

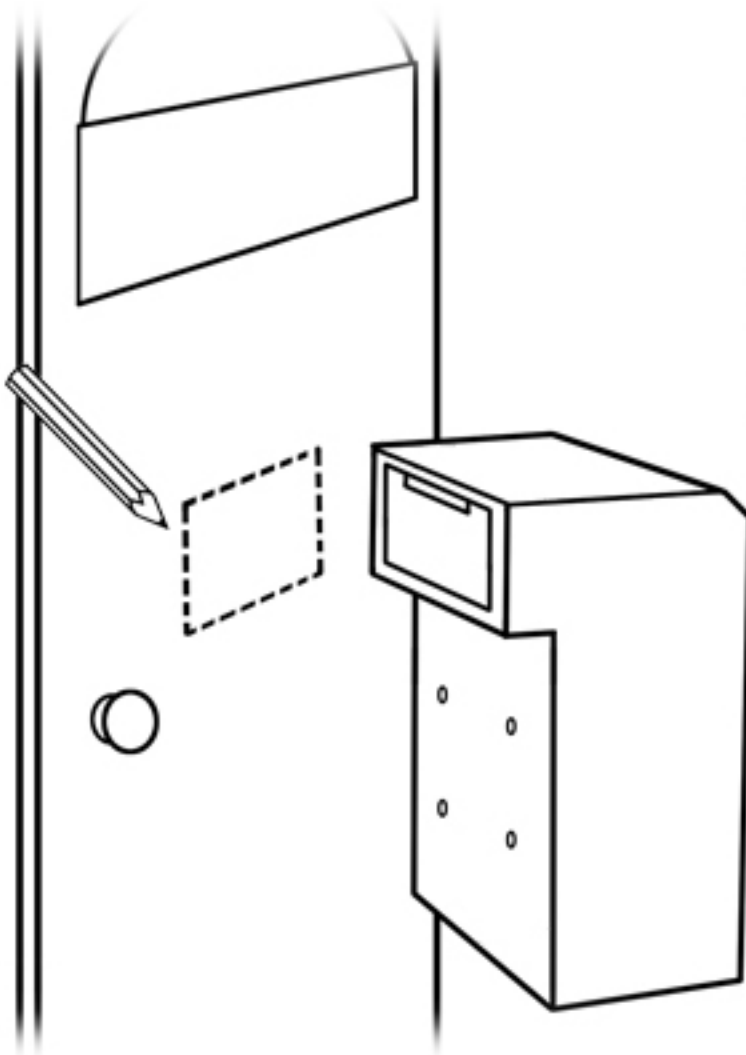
Installation guide is designed to assist professionals with installation and is meant to be used as general guidelines only. Your drop box and mounting requirements may vary. Professional installation required.

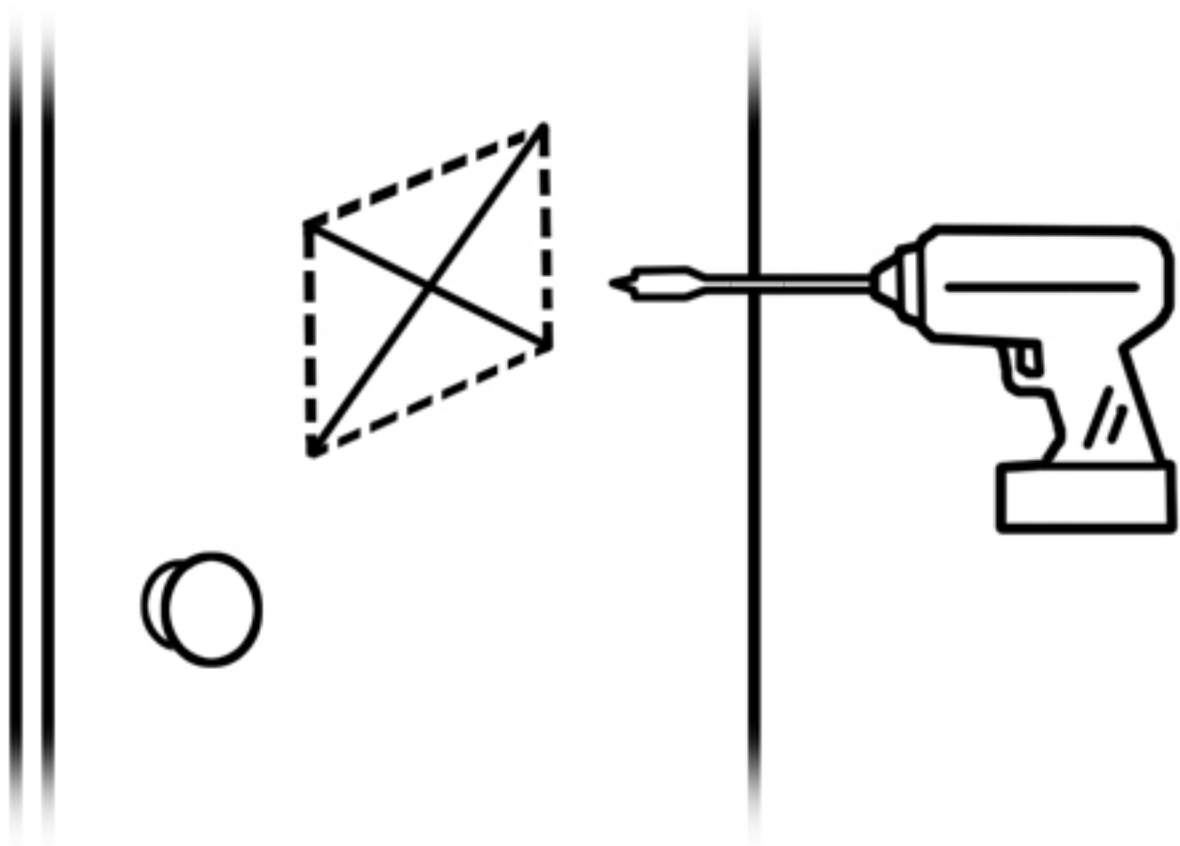
Door cannot exceed 1-3/4" thickness.

Installation will be most easily accomplished by removing the door from the hinges and setting onto two saw horses.

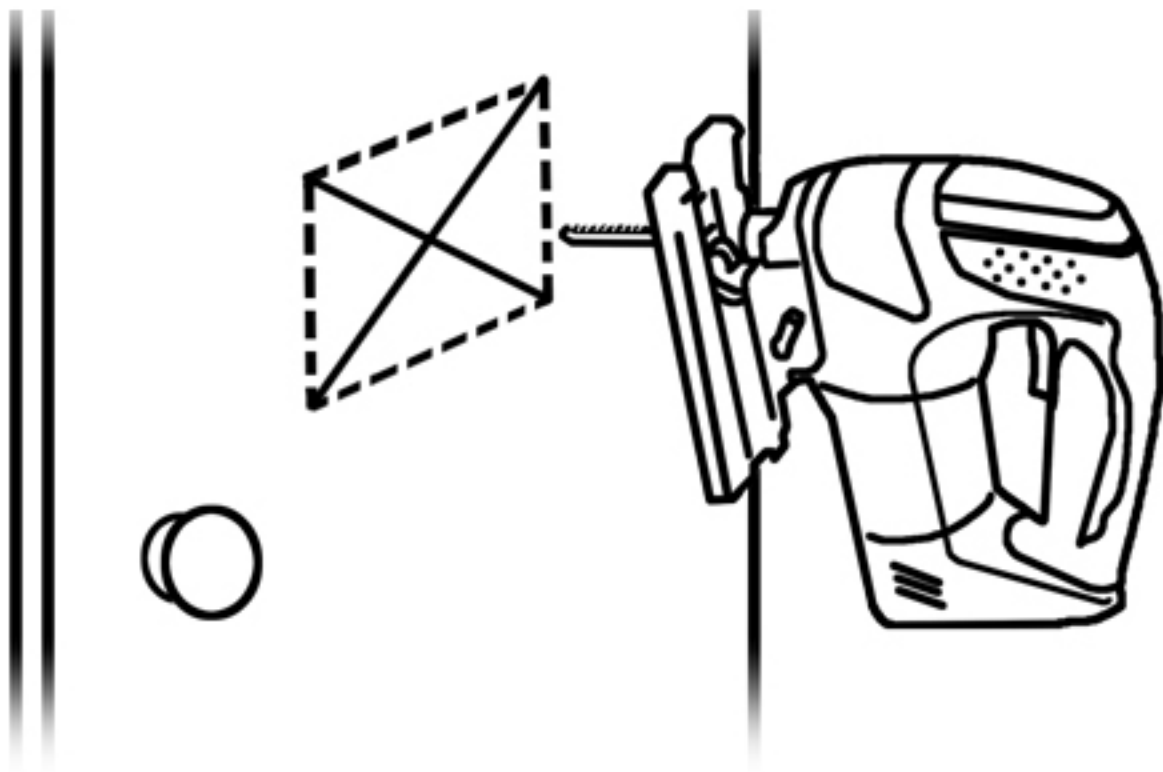


- 2) With the drop box's retrieval door facing you, adjust placement with a level or by aligning with door surface features. If a mail slot already exists on the door, this might be the best place to install. When positioned at a convenient location, trace the section of the drop box that will penetrate the door (the drop slot) with a 1/8" buffer.



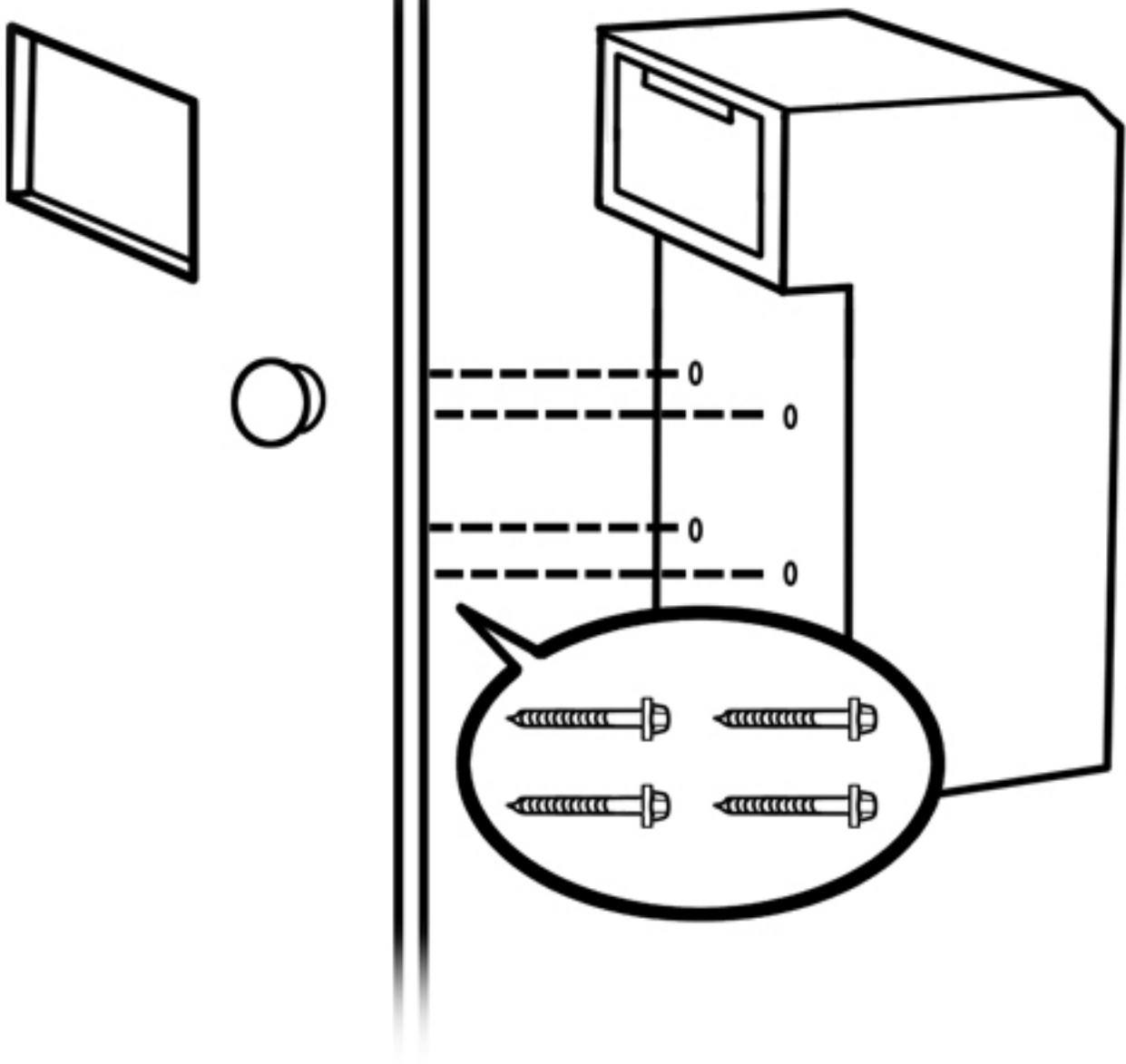


3) Using a spade drill bit for wood, drill a 1" hole in the center of your opening to allow for a jigsaw blade. Use a jigsaw to cut a hole matching your pencil marks.



4) Mount the drop box to the door. Test fit both plates used to hide rough cut marks. The rectangular face plate is used on the outside, drop-slot side. The 3-sided trim is used on the interior, retrieval door side. Adjust cut as needed to fit all pieces.

If you removed the door from the hinges you can now remount the door.



5) Open the drop box's retrieval door using keys, and screw the drop box onto the door using the large screws (included).

6) On the outside of the door, use the small screws included to screw the face plate onto the door. The face plate is the full rectangular plate (NOT the 3-sided trim).

7) Use the small screws included to screw in the 3-sided trim around the door interior to hide your cut marks.

