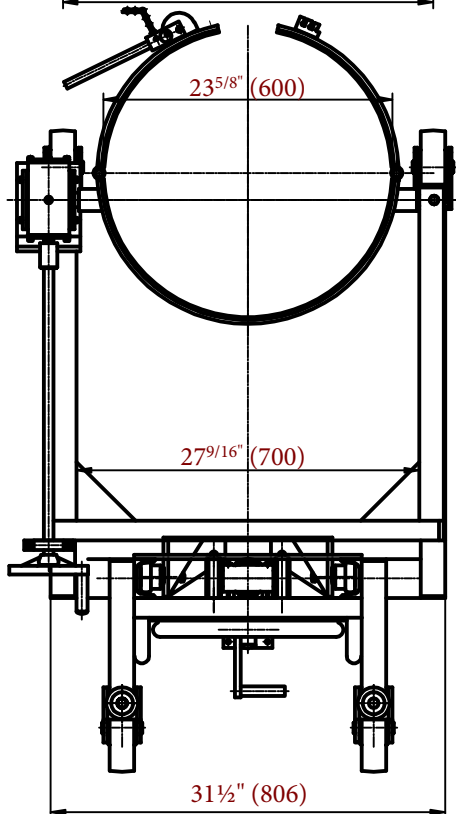
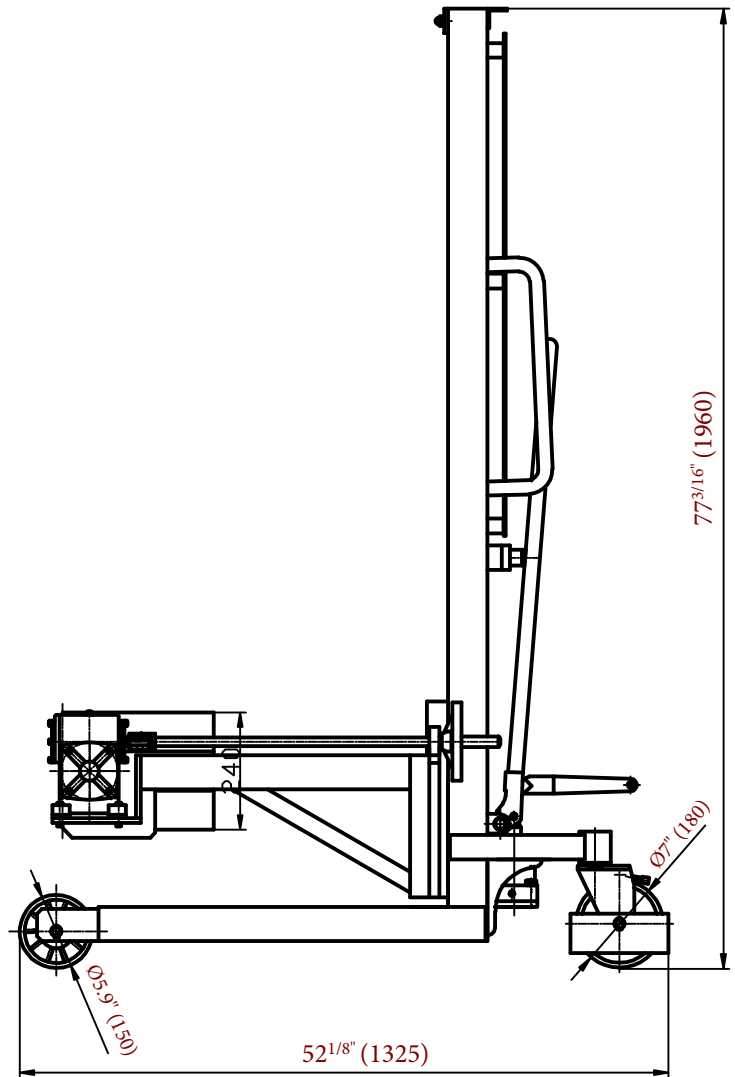
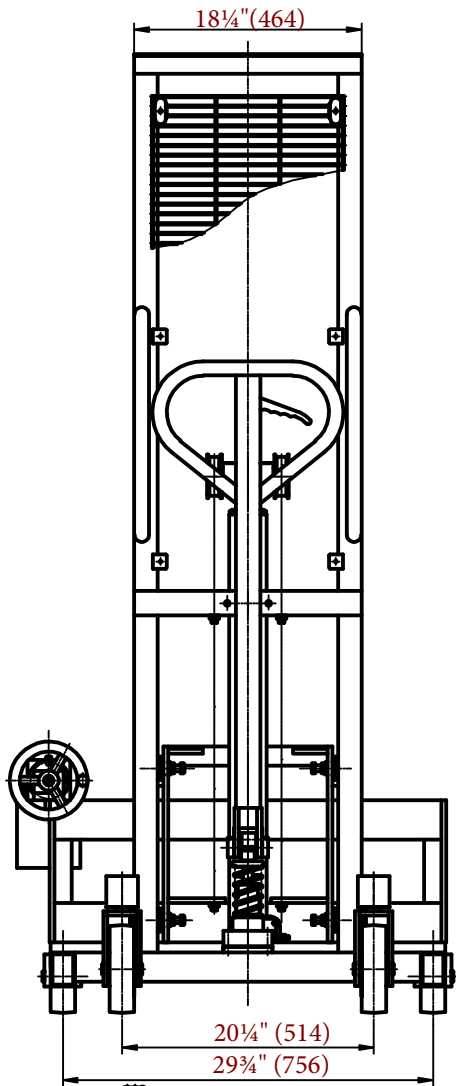


**DRUM-LRT-EC (ECONOMY PORTABLE DRUM LIFTER/ROTATOR/TRANSPORTER)**



**SPECIFICATIONS:**

- Capacity: 800 lbs
- Drum Raised Height: 53"
- Overall Mast Height: 77 3/16"
- Front Wheel: Ø5.9x2"
- Rear Wheel: Ø7x2"

VESTIL MANUFACTURING CORP.	
Model:	DRUM-LRT-EC
Description: Economy Portable Drum Lifter/ Rotator/Transporter	
T.M	Date: 06/29/2020