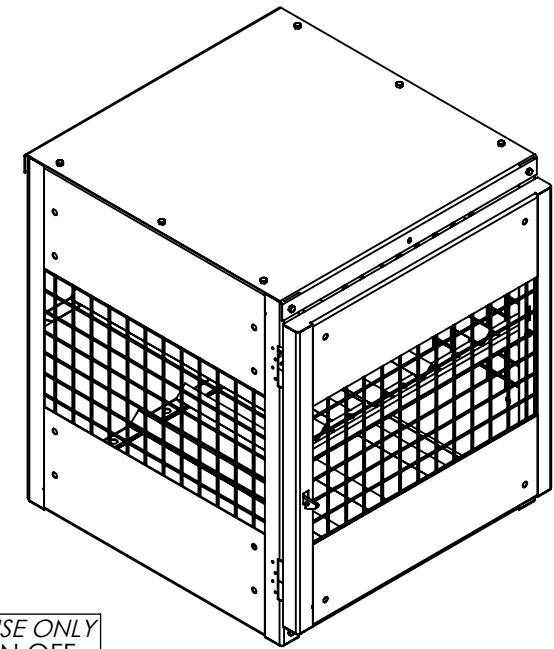
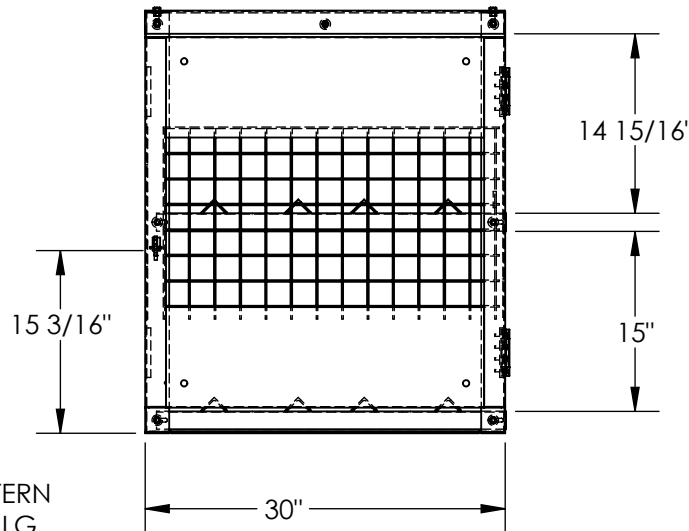
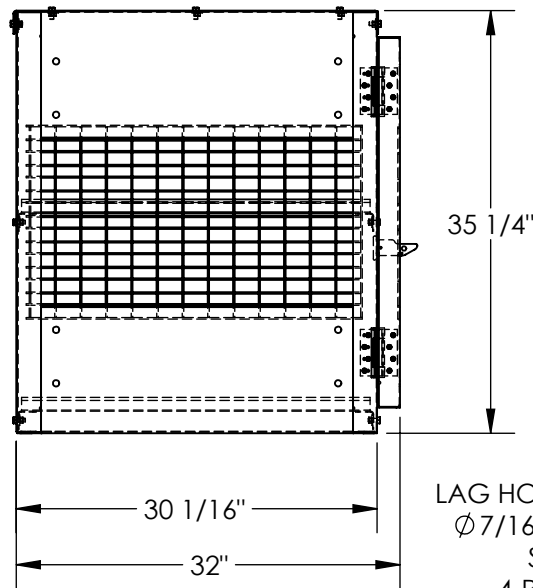


HORIZONTAL CYLINDER STORAGE CABINET - CYL-H-4-KD

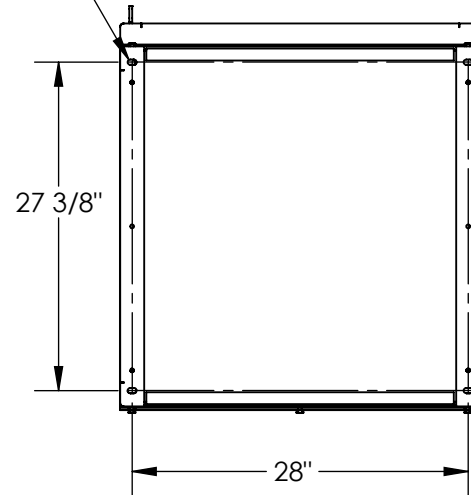
APPROX WEIGHT: 156.50 lbs.
 DOES NOT INCLUDE WEIGHT OF POWER OR PACKAGING!!!

*** ANY ADDITIONS, DELETIONS, OR OMISSIONS MUST BE CORRECTED ON THIS DRAWING AS THIS DRAWING WILL BE CONSIDERED ALL INCLUSIVE ***

ALL GRAPHICS PROVIDED ARE FOR REFERENCE ONLY. IF CERTAIN DIMENSIONS ARE CRITICAL PLEASE VERIFY THOSE DIMENSIONS WITH YOUR SALESPERSON



LAG HOLE PATTERN
 $\varnothing 7/16"$ X $3/4"$ LG
 SLOT
 4-PLACES



FOR INTERNAL USE ONLY
 PROJECT SIGN OFF

SALES	
ENG.	
FAB.	
POWER	

DIMENSION TOLERANCE $\pm 1/4"$

STANDARD FEATURES

- MODEL NUMBER IS CYL-H-4-KD
- OVERALL WIDTH IS 30"
- OVERALL LENGTH IS 32"
- OVERALL HEIGHT IS 35 1/4"
- MAX CAPACITY IS 4 CYLINDERS
- SHELF UNIFORM CAPACITY IS 90 LBS.
- TOTAL UNIFORM CAPACITY IS 180 LBS.
- TOUGH BAKED IN POWDER COATED YELLOW FINISH
- INCLUDES RED LETTER SIGNAGE "FLAMMABLE NO SMOKING" (NOT SHOWN)
- INCLUDES LAG HOLES (LAG HARDWARE NOT INCLUDED)

SPECIAL FEATURES

NONE

APPROVAL

I, THE UNDERSIGNED, AGREE THAT THE PRODUCT AS REPRESENTED SATISFIES DESIGN AND DIMENSION REQUIREMENTS. I ALSO ACKNOWLEDGE MY DUTY TO CONFIRM PRODUCT AND INSTALLATION COMPLIANCE WITH ALL APPLICABLE FEDERAL, STATE AND LOCAL REGULATIONS AND STANDARDS.

ANY MODIFIED UNITS ARE NON-RETURNABLE

[] As drawn [] As marked

Signed: _____ Date: _____

Printed Name: _____

LEAD TIME WILL START UPON RECEIPT OF SIGNED APPROVAL DRAWING

DISTRIBUTOR'S NAME:		P.O.#
VESTIL MANUFACTURING		X
DRAWN BY: CA		W.O.#
DATE: 08/05/2011		X
REFERENCE: X	SCALE: 1:16	SALES: X
QUOTED LEAD TIME: X	QUOTE #	FILE NAME:
X	X	31-007-164