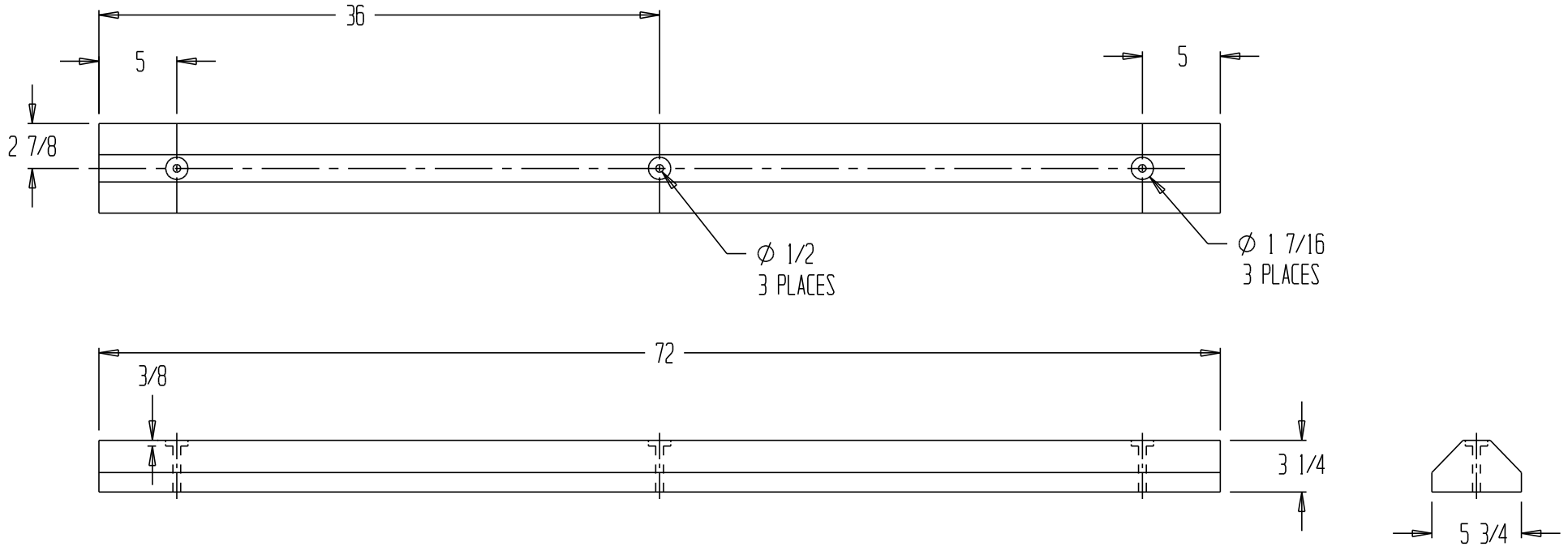


CAR STOP, CS-33-Y



LEAD TIME WILL START UPON
RECEIPT OF SIGNED APPROVAL
DRAWING

STANDARD FEATURES

MODEL NUMBER: CS-33-Y
 OVERALL WIDTH: 5 3/4"
 OVERALL HEIGHT: 3 1/4"
 OVERALL LENGTH: 72" \pm 1/4"
 MOUNTING HOLE SIZE: $\phi 1/2$ "
 UNIT IS YELLOW

SPECIAL FEATURES

NONE

**SPECIAL UNITS ARE NON-RETURNABLE
 *AVAILABLE AT ADDITIONAL COSTS

APPROVAL

I, the undersigned, hereby approve this print
 As drawn As marked

This includes my approval of design & dimensions.
 Signed: _____
 Date: _____

DISTRIBUTOR'S NAME: VESTIL MANUFACTURING		P.O.#: -
DRAWN BY: S ROSE		W.O.#: -
DATE: 12-20-04	SALES: -	
REFERENCE: -	DRWG./FILE NAME: 29-007-056	SCALE: 1:10