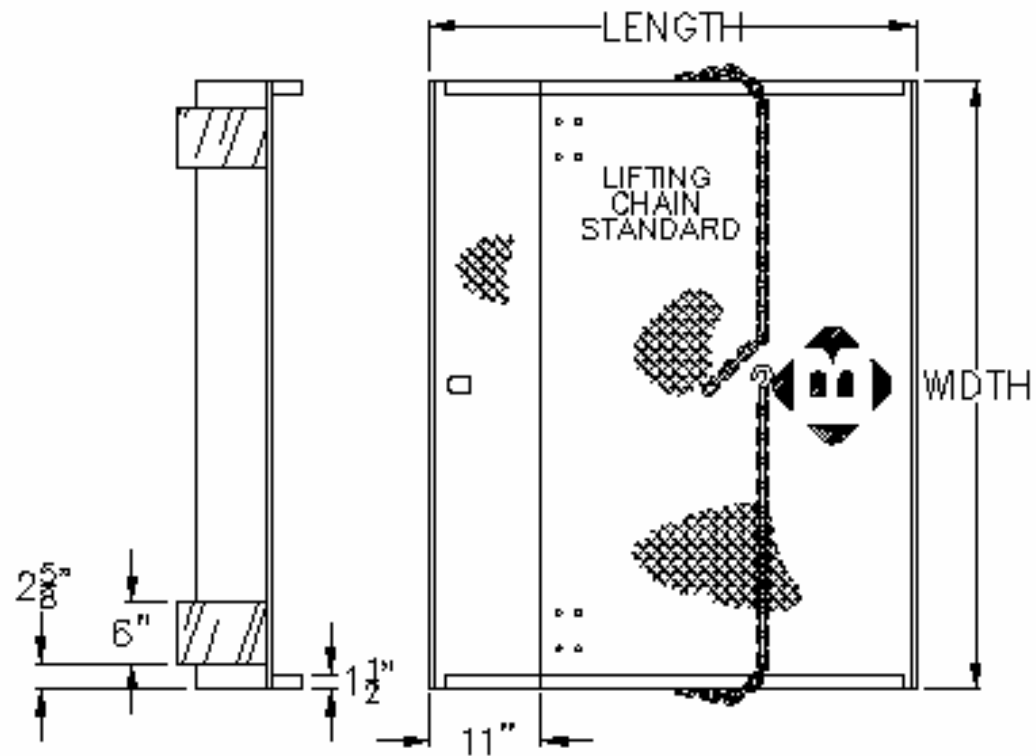


STEEL DOCKBOARDS WITH WELDED STEEL CURBS

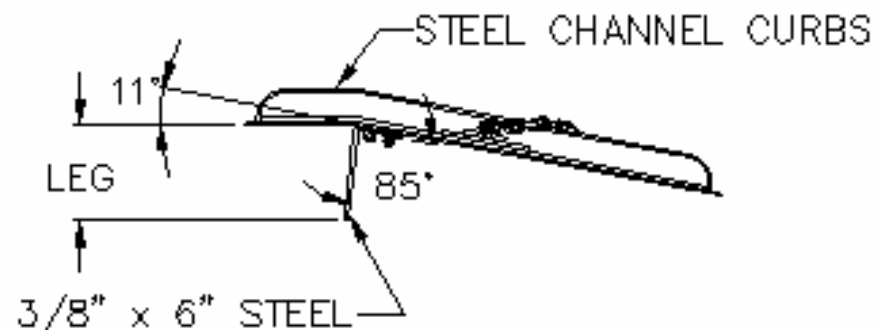
MODEL SC

10SC6048

— LENGTH
 — WIDTH
 — MODEL
 — 10,000 LB CAP



- LEG LENGTH VARIES WITH LENGTH OF BOARD
- STEEL CURB SIZE DEPENDS ON BOARD LENGTH



BLUFF MFG.

9201 S. FREEWAY
FORT WORTH, TX 76140

MODEL: STEEL DOCKBOARDS

CUSTOMER:

PART NO:

REV. LEVEL:

MATERIAL:

DRAWN:

WEIGHT:

DATE:

THE INFORMATION CONTAINED IN THIS DRAWING IS THE SOLE PROPERTY OF BLUFF MANUFACTURING. ANY REPRODUCTION IN PART OR WHOLE WITHOUT THE WRITTEN PERMISSION OF BLUFF MANUFACTURING IS PROHIBITED.