

# PORTABLE STEEL CONTAINER RAMP

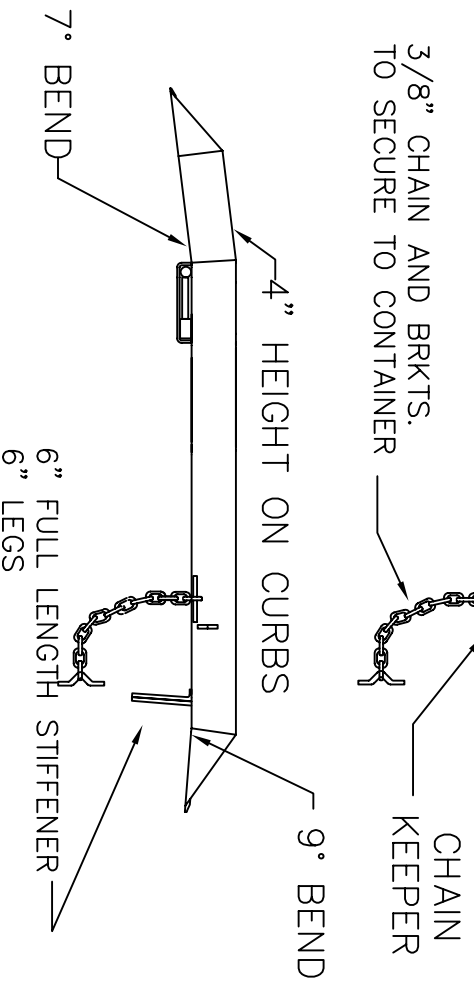
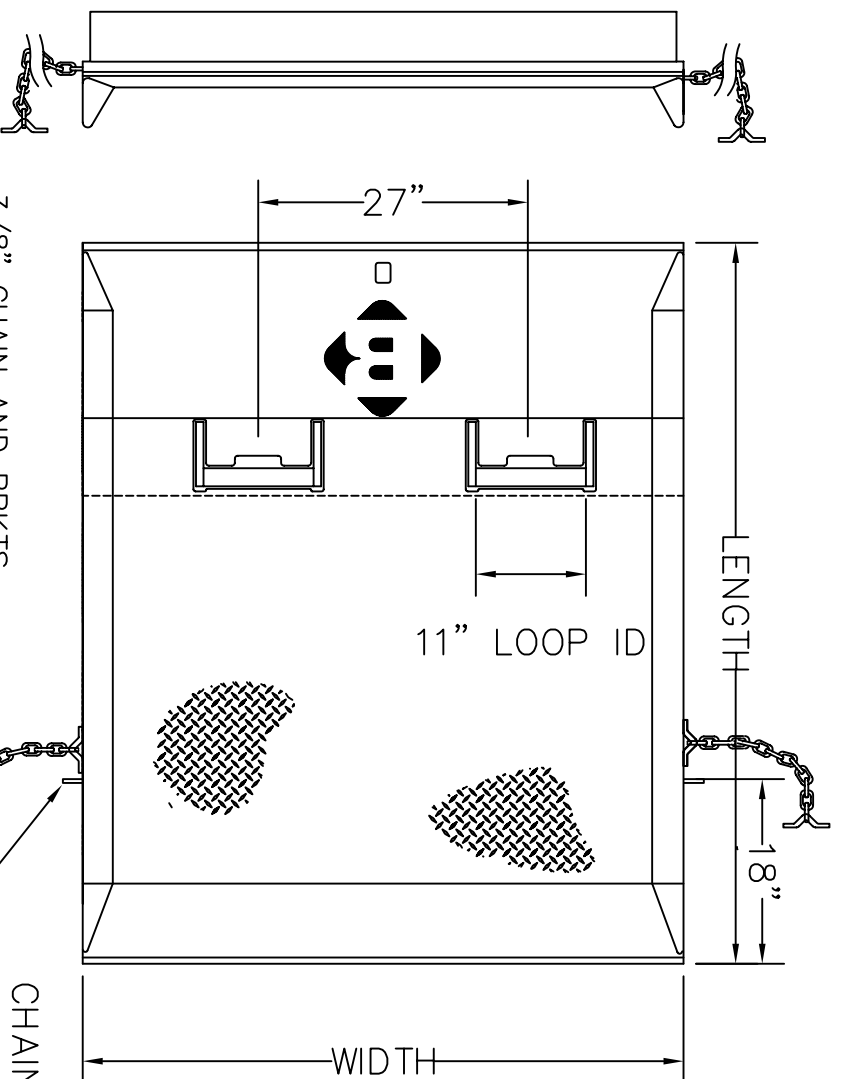
**I5CR6060**  
 LENGTH  
 WIDTH  
 MODEL  
 15,000 CAPACITY

CHAIN  
KEEPER



2"x2"x1/2" flat bar tab

- CHAIN LENGTH WILL VARY PER BOARD WIDTH
- LIFTING LOOPS FOR POSITIONING TO CONTAINER
- CHAIN SECTIONS 32"
- 5/16 CHAIN



**BLUFF MFG.**

9201 S. FREEWAY  
 FORT WORTH, TX 76140

MODEL: CONTAINER RAMP	CUSTOMER:
PART NO:	REV. LEVEL: A
MATERIAL: STEEL	DRAWN: H. RAMIREZ
WEIGHT:	DATE: 03/13/07

THE INFORMATION CONTAINED IN THIS DRAWING IS THE SOLE PROPERTY OF BLUFF MANUFACTURING. ANY REPRODUCTION IN PART OR WHOLE WITHOUT THE WRITTEN PERMISSION OF BLUFF MANUFACTURING IS PROHIBITED.