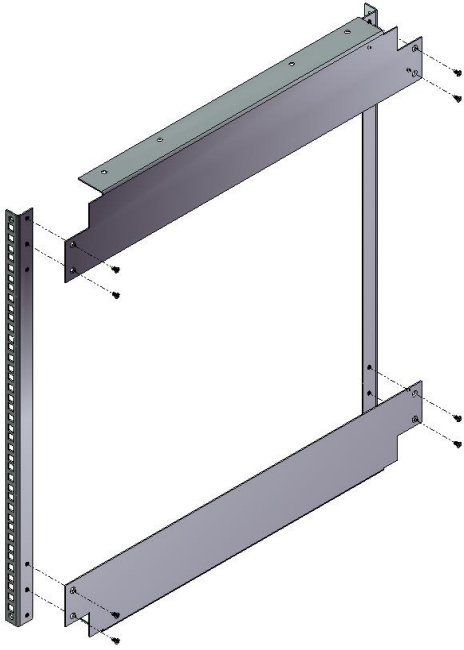


Performance Racking Installation Instructions

1

To begin the installation, assemble the left and right sides using 2 rails and 2 mounting plates with the 8 screws provided. Repeat to create the other side.



2

Place the left and right sides so that the mounting holes line up with the pre-drilled holes in the bottom of the work surface and attach with 4 screws.



3

Attach the front and rear spacers with the 4 provided screws. If you would like added stability, you may use the provided wood screws to attach the bottom brackets directly to the bottom shelving.

