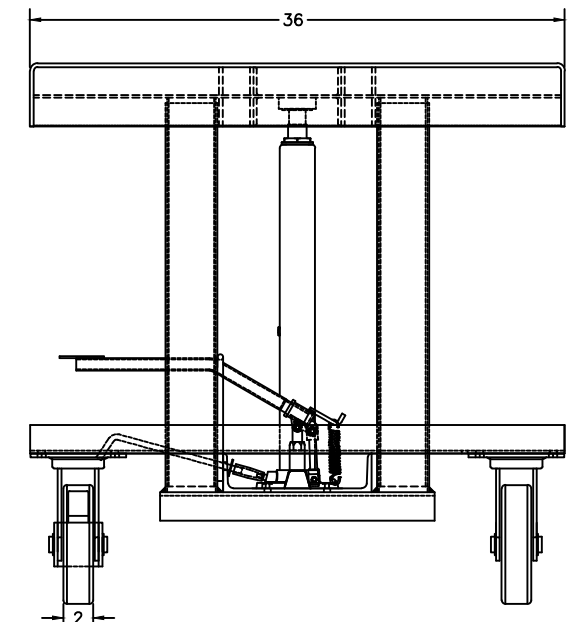
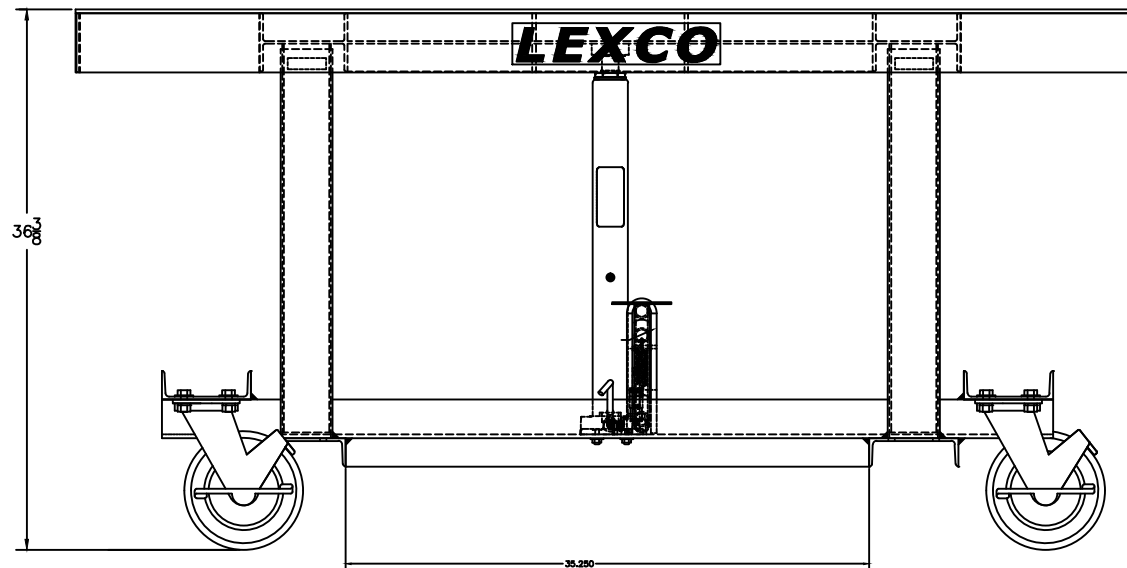
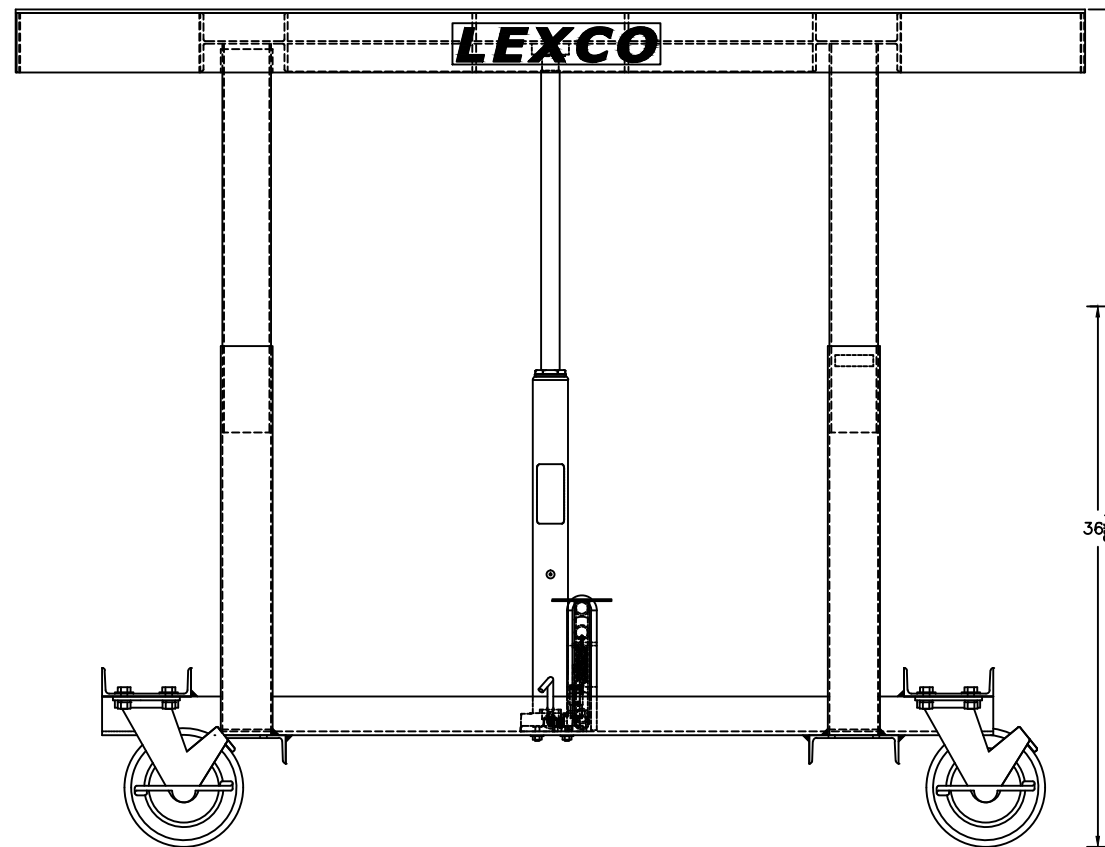


Foot and Powered Portable Hydraulic Lift Table

- AC and DC power option available.
- Load stabilizer assembly on 5000 lbs models.
- 2 rigid and 2 swivel 8" steel casters.
- Precision telescoping guide tubes,
- 2 floor locks.
- Table top 3000 lbs models: 0.1875" thick steel.
- Table top 5000 lbs models: 0.25" thick steel.

Specs

- Capacity: 3000 lbs
- Table size: 36" x 72"
- Raised height: 56.375"
- Lowered height: 36.375"
- Caster: 8"
- Lift: 20"
- Weight: 846 lbs



THIS DRAWING IN ALL PARTICULARS IS WESCO INDUSTRIAL PRODUCTS INC. PROPERTY. ALL RIGHTS OF DESIGN, INVENTION OR USE OF ARE RESERVED.

PRINT ISSUED
 JULY 30, 2008
 WESCO MANUFACTURING
 ENGINEERING DEPARTMENT

REV.	A	6538 07/30/08 PRODUCTION RELEASE	JL APP	WESCO INDUSTRIAL PRODUCTS INC. LANSDALE PENNA. 19446		
				PART NAME STN-3606-3F-A		DRAWN: J.L. 07-30-08
REVISIONS				CHECKED:		
ECN & DATE				APP. ENGR.		
TOLERANCE UNLESS OTHERWISE SPECIFIED				SCALE: 1" = 1"		
FRACTION		3 PLACE DECIMAL	2 PLACE DECIMAL	492251		
± 1/64		± .005	± .01	REV	A	
ANGULAR ± 1-1/2"		SHEET 1 OF 1		BREAK ALL SHARP EDGES AND REMOVE ALL BURRS		