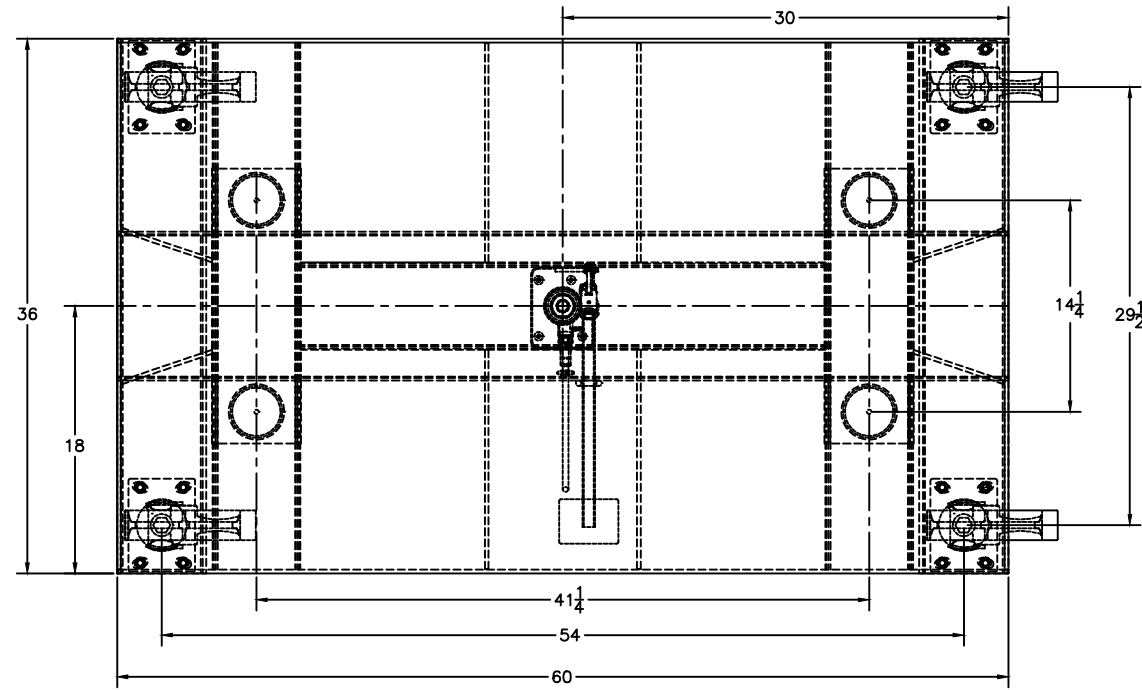


492250

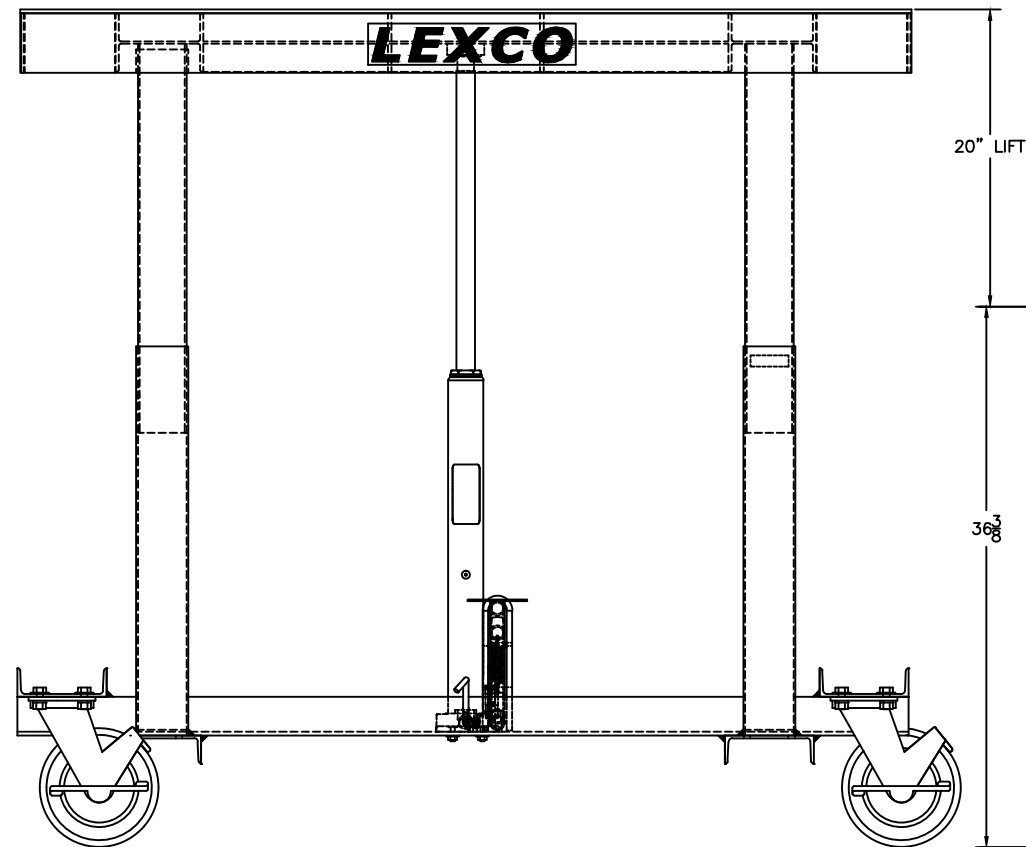


Foot and Powered Portable Hydraulic Lift Table

- AC and DC power option available.
- Load stabilizer assembly on 5000 lbs models.
- 2 rigid and 2 swivel 8" steel casters.
- Precision telescoping guide tubes,
- 2 floor locks.
- Table top 3000 lbs models: 0.1875" thick steel.
- Table top 5000 lbs models: 0.25" thick steel.

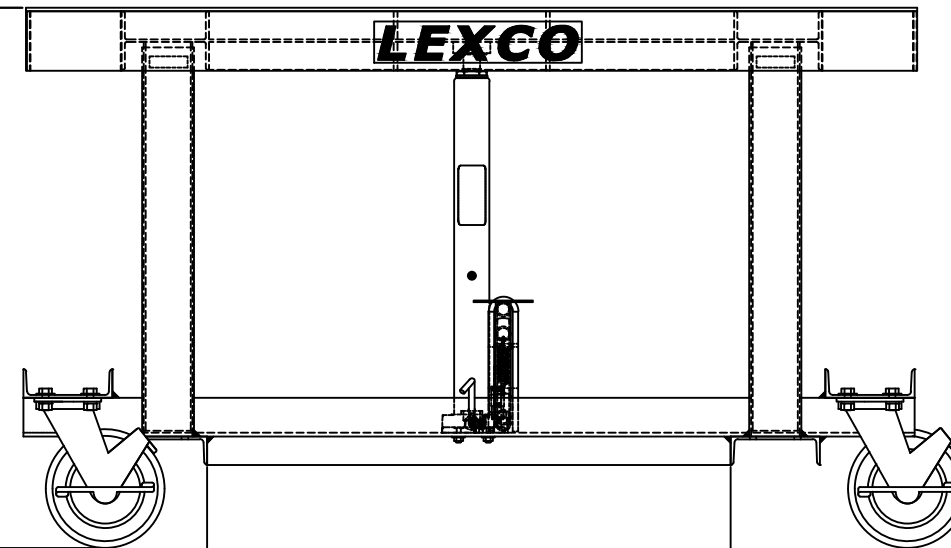
Specs

- Capacity: 3000 lbs
- Table size: 36" x 60"
- Raised height: 56.375"
- Lowered height: 36.375"
- Caster: 8"
- Lift: 20"
- Weight: 811 lbs

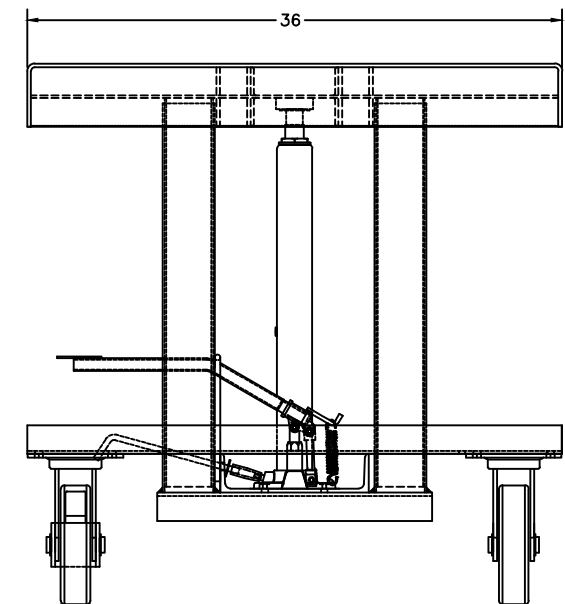


20" LIFT

36 3/8



36.250



THIS DRAWING IN ALL PARTICULARS IS WESCO INDUSTRIAL PRODUCTS INC. PROPERTY. ALL RIGHTS OF DESIGN, INVENTION OR USE OF ARE RESERVED.

PRINT ISSUED

JULY 30, 2008

WESCO MANUFACTURING  
ENGINEERING DEPARTMENT

JL  
6538 07/30/08  
APP  
PRODUCTION RELEASE  
ECN & DATE  
REV. A

<b>WESCO INDUSTRIAL PRODUCTS INC.</b> LANSDALE PENNA. 19446		
PART NAME <b>STN-3605-3F-A</b>		DRAWN: J.L. 07-30-08
TOLERANCE UNLESS OTHERWISE SPECIFIED		
FRACTION $\pm 1/64$	3 PLACE DECIMAL $\pm .005$	2 PLACE DECIMAL $\pm .01$
ANGULAR $\pm 1-1/2^\circ$	SHEET 1 OF 1	SCALE: 1" = 1"
BREAK ALL SHARP EDGES AND REMOVE ALL BURRS		492250 REV A