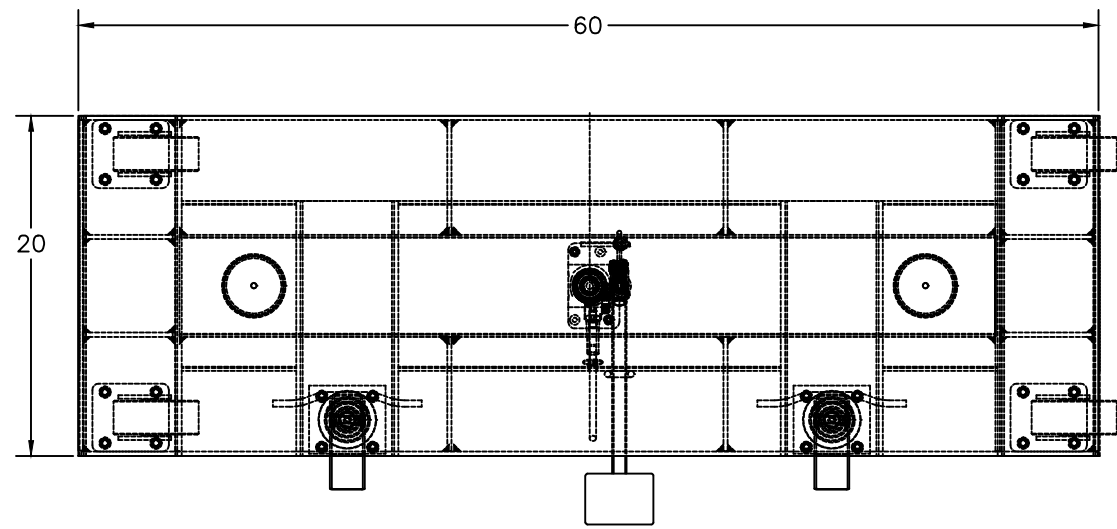


492239

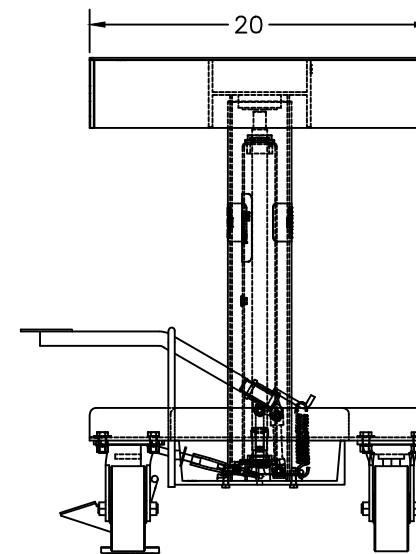
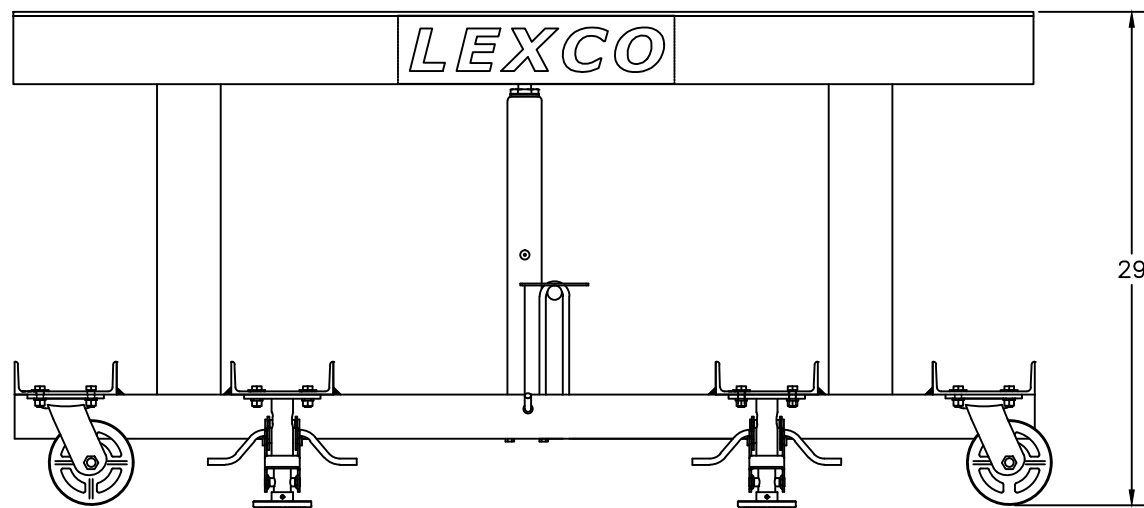


Foot and Powered Portable Hydraulic Lift Table

- AC and DC power option available.
- Standard lift height 30" – 48".
- Optional lift ranges available, call factory.
- 10 gauge steel top.
- Foot operated.
- Precision telescoping guide tubes,
- 4 swivel 5" diameter steel wheels or optional polyurethane wheels.
- 2 floor locks.

Specs

- Capacity: 2000 lbs
- Table size: 20" x 60"
- Raised height: 48"
- Lowered height: 30"
- Caster: 5"
- Lift: 18"
- Weight: 384 lbs



THIS DRAWING IN ALL PARTICULARS IS WESCO INDUSTRIAL PRODUCTS INC. PROPERTY. ALL RIGHTS OF DESIGN, INVENTION OR USE OF ARE RESERVED.

PRINT ISSUED  
OCT. 15, 2008  
WESCO MANUFACTURING  
ENGINEERING DEPARTMENT

JL		APP		WESCO INDUSTRIAL PRODUCTS INC.		LANSDALE		PENNA. 19446	
6594		10/15/08		PART NAME		STN-2005-2F-A		DRAWN: J.L. 10-15-08	
PRODUCTION RELEASE		EDN & DATE		STN SERIES, LONG DECK, 2K LIFT		CHECKED:		APP. ENGR.	
REV. A		REV.		TOLERANCE UNLESS OTHERWISE SPECIFIED		FRACTION		SCALE: 1" = 1"	
				3 PLACE DECIMAL		2 PLACE DECIMAL		ANGULAR ± 1-1/2°	
				± 1/64		± .005		SHEET 1 OF 1	
				± .01		BREAK ALL SHARP EDGES AND REMOVE ALL BURRS		492239	
								REV A	