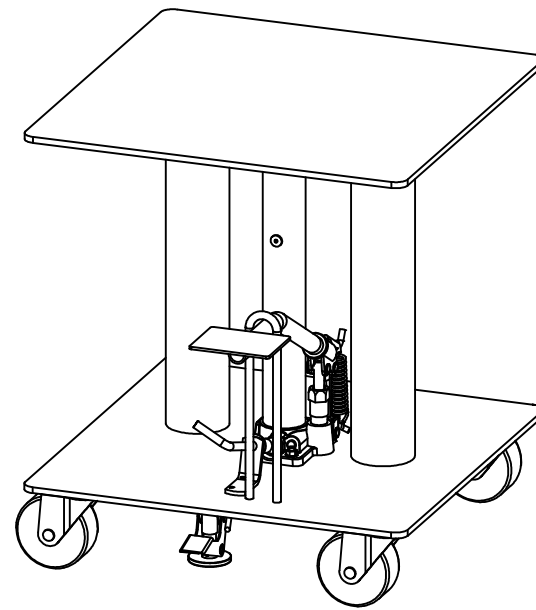
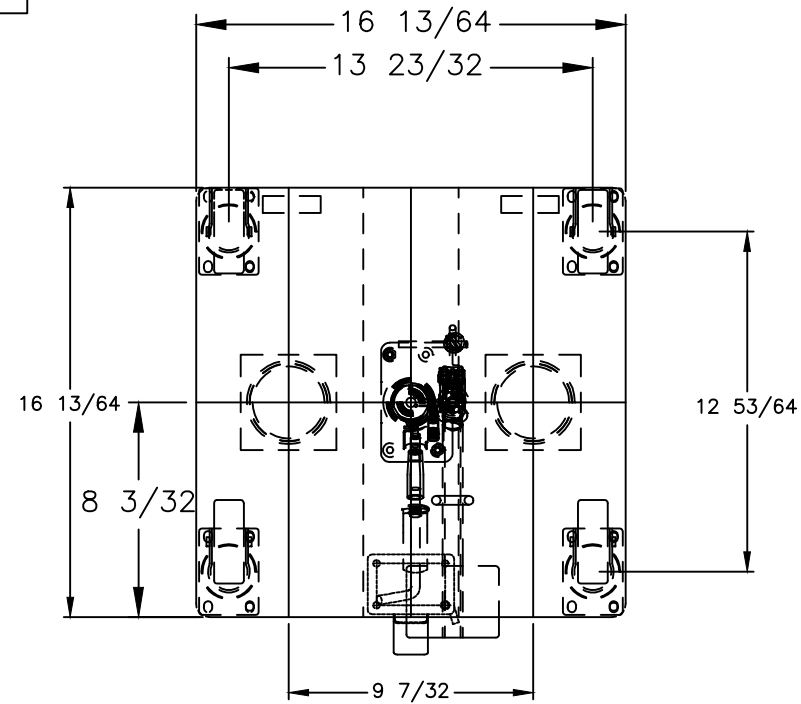


492228

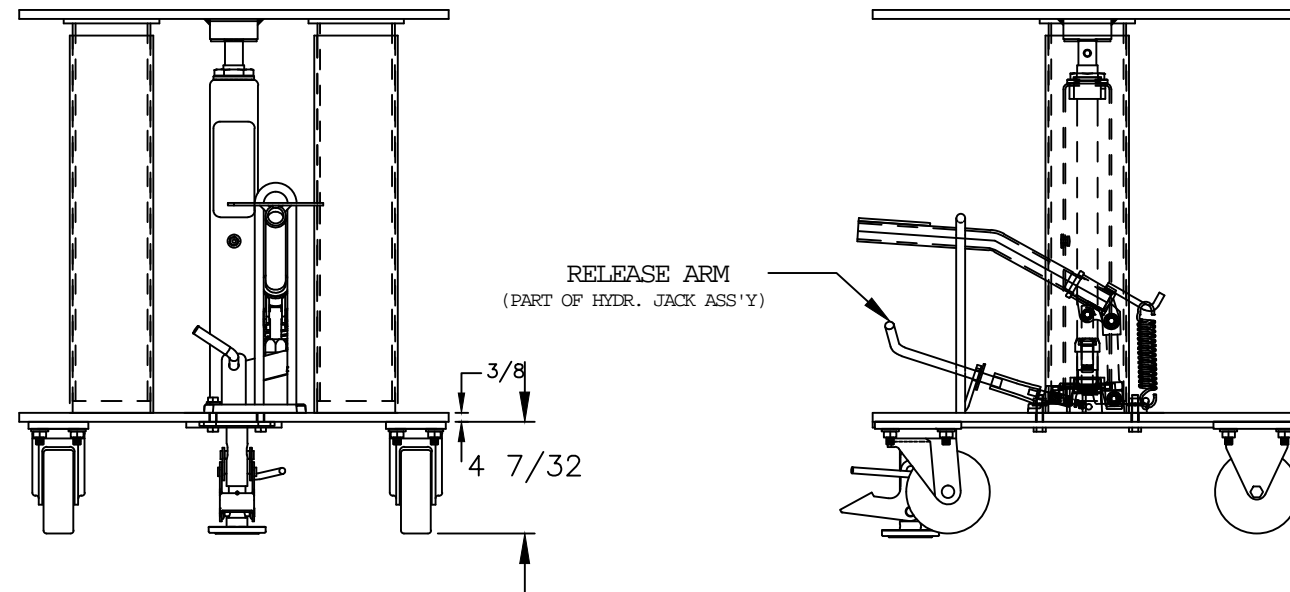


Foot Operated Hydraulic Lift Table

- Top and base 3/8" steel.
- 2 rigid and 2 swivel 3.5" diameter rubber casters.
- Optional phenolic resin and polyurethane caster wheels.
- Floor lock.
- Two post.

Specs

- Capacity: 300 lbs
- Table size: 18" x 18"
- Lowered height: 22"
- Raised height: 34"
- Caster size: 3.5"
- Lift: 12"
- Weight: 121 lbs



THIS DRAWING IN ALL PARTICULARS IS WESCO INDUSTRIAL PRODUCTS INC. PROPERTY. ALL RIGHTS OF DESIGN, INVENTION OR USE OF ARE RESERVED.

REV.	ECN & DATE	APP	WESCO INDUSTRIAL PRODUCTS INC.		REV	
			LANSDALE PENNA. 19446			
			PART NAME HT-312-FR			DRAWN:
			TOLERANCE UNLESS OTHERWISE SPECIFIED			CHECKED:
			FRACTION 3 PLACE DECIMAL 2 PLACE DECIMAL			APP. ENGR.
			± 1/64 ± .005 ± .01	SCALE:		
			ANGULAR ± 1-1/2' SHEET 1 OF 1			
			BREAK ALL SHARP EDGES AND REMOVE ALL BURRS			
				B- 492228		