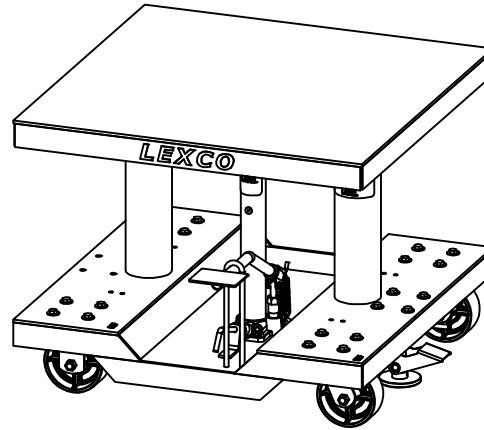
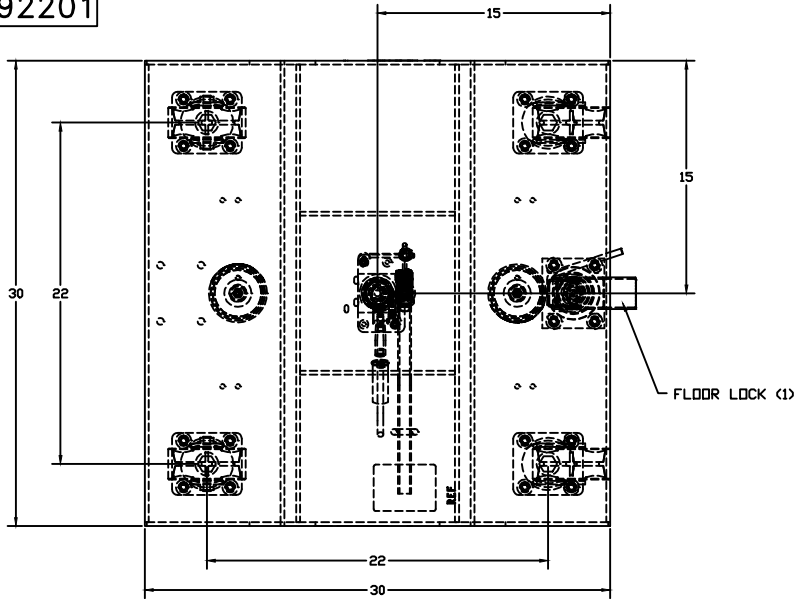
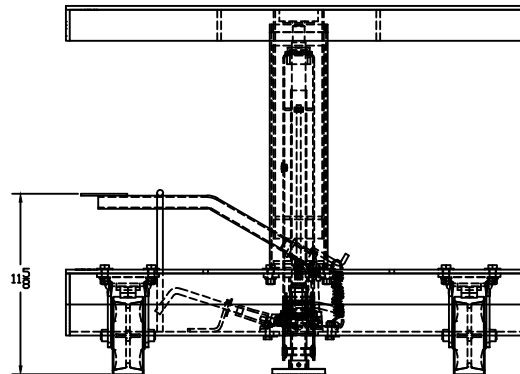
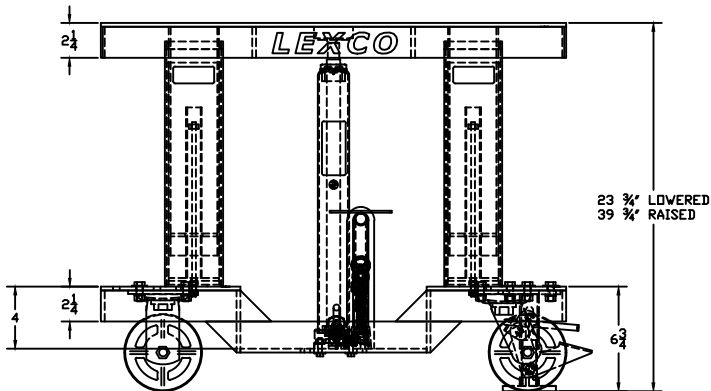


492201



Foot and Electric Hydraulic Lift Table

- AC and DC power option available.
- 0.25" reinforced steel top and base.
- 2 rigid and 2 swivel 5" diameter steel wheels and 1 floor lock on 20" x 30" and 30" x 30" models.
- 4 swivel 5" diameter steel wheels and 2 floor locks on 30" x 40" models.
- Precision telescoping guide tubes.



Specs

- Capacity: 2000 lbs
- Table size: 30" x 30"
- Lowered height: 24"
- Raised height: 40"
- Caster: 5"
- Lift: 16"
- Weight(foot opp.): 280 lbs
- Weight(electric opp.): 360 lbs

THIS DRAWING IN ALL PARTICULARS IS WESCO INDUSTRIAL PRODUCTS INC. PROPERTY. ALL RIGHTS OF DESIGN, INVENTION OR USE OF ARE RESERVED.

PRINT ISSUED

NOV. 21, 2008

WESCO MANUFACTURING
ENGINEERING DEPARTMENT

6614 11/21/08 JL PRODUCTION RELEASE	APP	WESCO INDUSTRIAL PRODUCTS INC.		DRAWN: J.L. 11-21-08
		LANSDALE PENNA. 19446		
A	REV.	PART NAME		CHECKED:
		HT-3346-2F-A		
		HT SERIES, LIFT TABLE		
		APP. ENGR.		
TOLERANCE UNLESS OTHERWISE SPECIFIED		SCALE: 1" = 1"		492201
FRACTION 3 PLACE DECIMAL 2 PLACE DECIMAL		SHEET 1 OF 1	REV A	
± 1/64 ± .005 ± .01				
ANGULAR ± 1-1/2°				
BREAK ALL SHARP EDGES AND REMOVE ALL BURRS				