

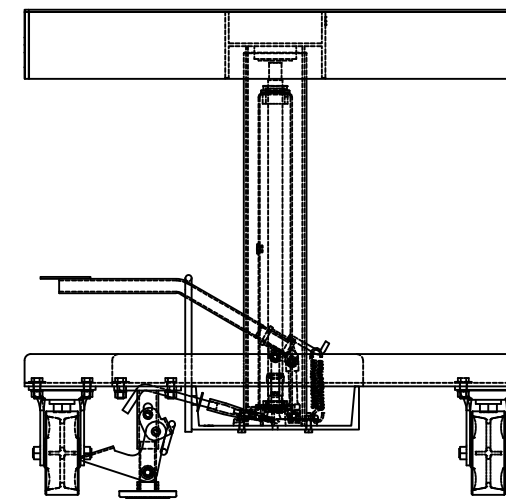
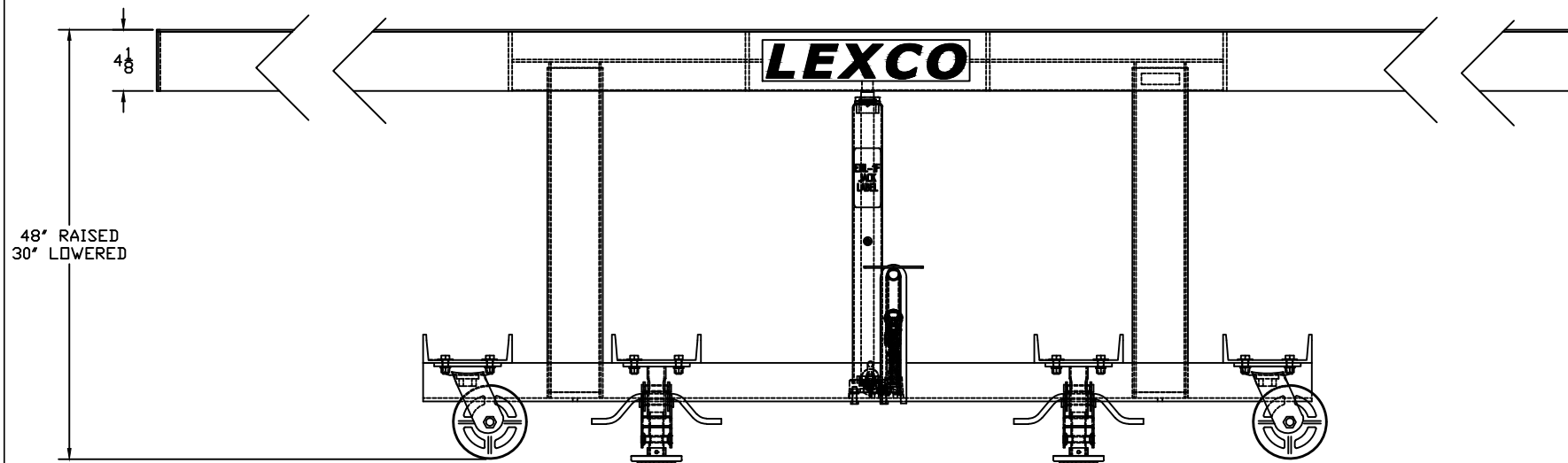
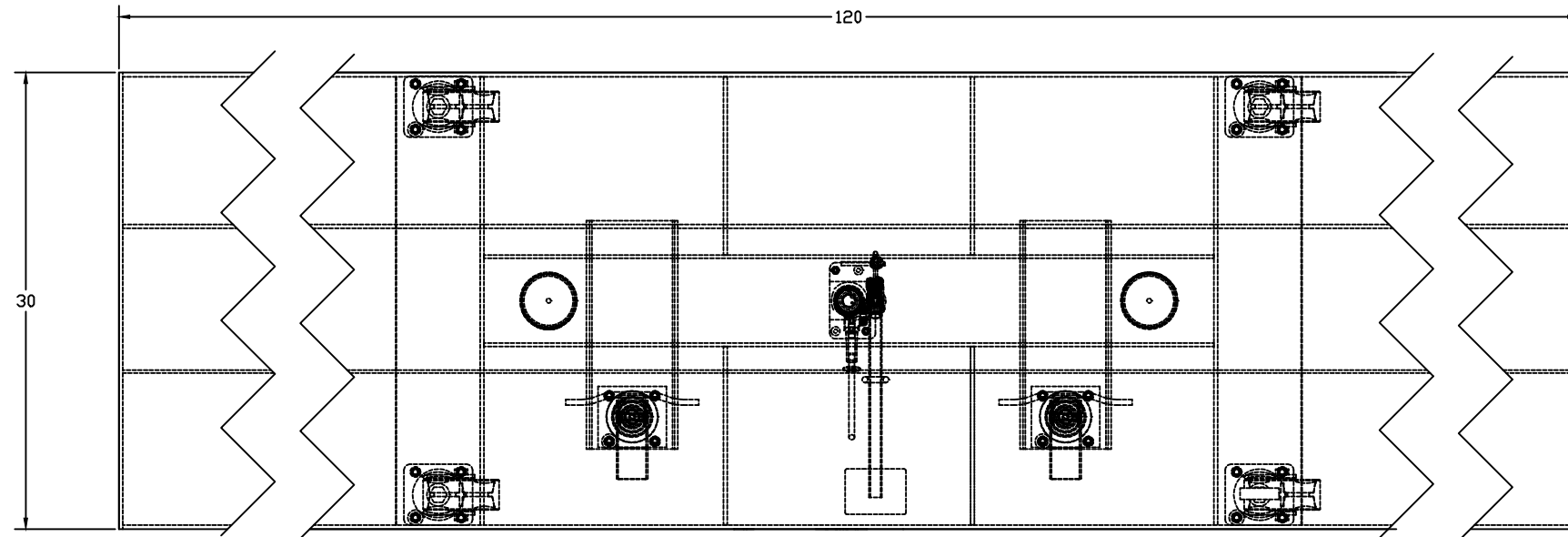
492131

Foot and Powered Portable Hydraulic Lift Table

- AC and DC power option available.
- Standard lift height 30" – 48".
- Optional lift ranges available, call factory.
- 10 guage steel top.
- Foot operated.
- Precision telescoping guide tubes,
- 4 swivel 5" diameter steel wheels or optional polyurethane wheels.
- 2 floor locks.

Specs

- Capacity: 2000 lbs
- Table size: 30" x 120"
- Raised height: 48"
- Lowered height: 30"
- Caster: 5"
- Lift: 18"
- Weight: 568 lbs



THIS DRAWING IN ALL PARTICULARS IS WESCO INDUSTRIAL PRODUCTS INC. PROPERTY. ALL RIGHTS OF DESIGN, INVENTION OR USE OF ARE RESERVED.

PRINT ISSUED
 APRIL 01, 2008
 WESCO MANUFACTURING
 ENGINEERING DEPARTMENT

JL	JL	JL	APP
XXXX 01/20/10	9492 04/27/09	6427 04/01/08	REVISIONS
ADDED ITEM 11, 108427	498020 WAS 492010 498615 WAS 498602 ADDED NOTE #6 REMOVED:492019, 492024, 492025, 108196	PRODUCTION RELEASE	ECN & DATE
C	B	A	REV.

WESCO INDUSTRIAL PRODUCTS INC. LANSDALE PENNA. 19446		DRAWN: J.L. 04-01-08
PART NAME STN-3010-2F-A		CHECKED:
TOLERANCE UNLESS OTHERWISE SPECIFIED		APP. ENGR.
FRACTION	3 PLACE DECIMAL	2 PLACE DECIMAL
± 1/64	± .005	± .01
ANGULAR ± 1-1/2'	SHEET 1 OF 1	
BREAK ALL SHARP EDGES AND REMOVE ALL BURRS		SCALE: 1" = 1"
492131		REV C