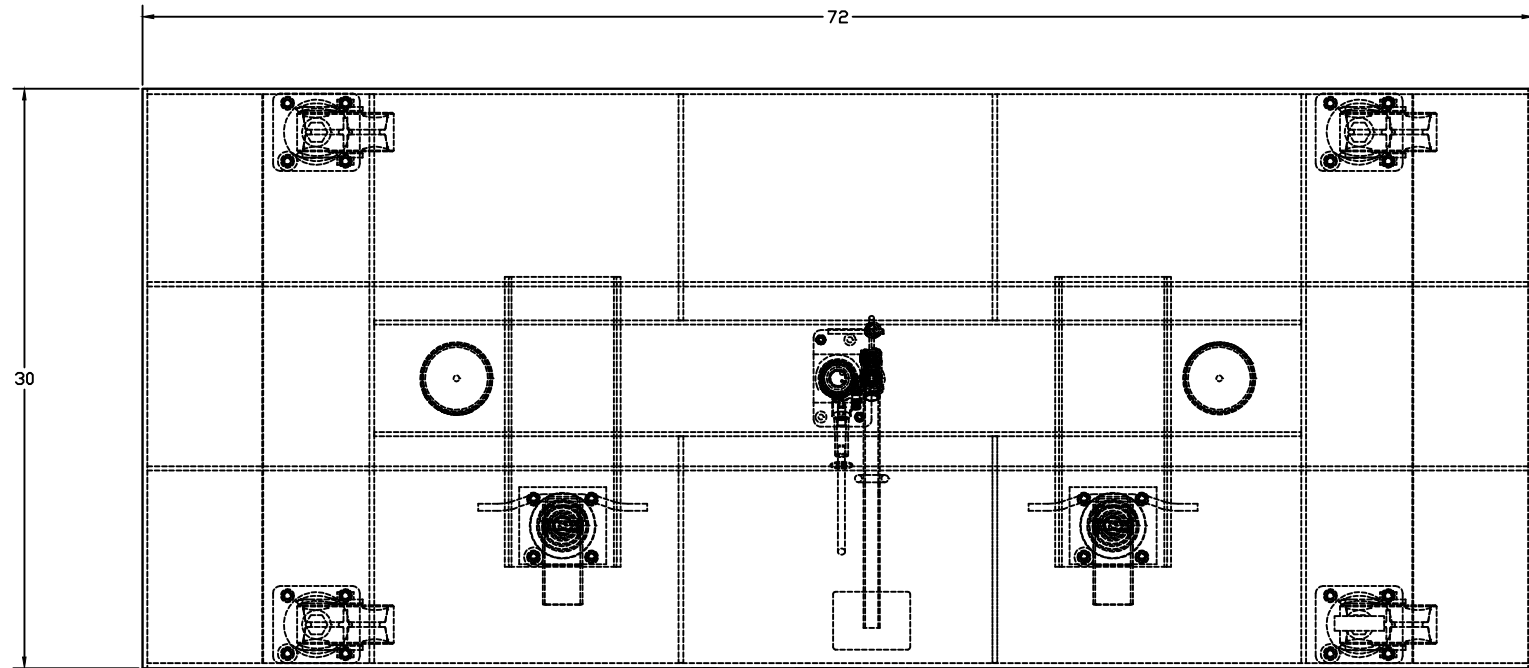
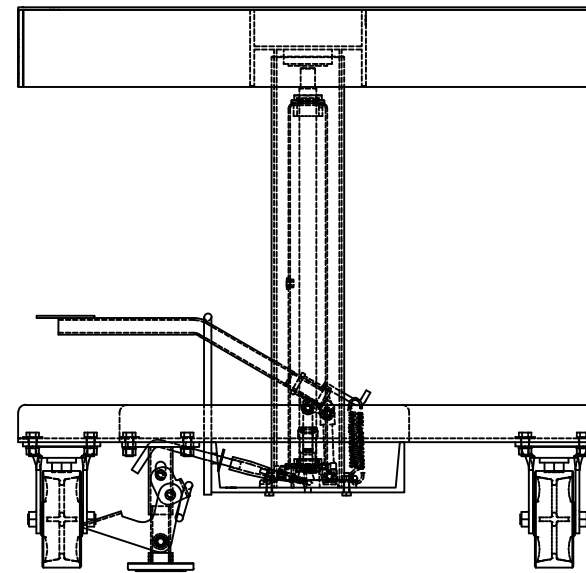
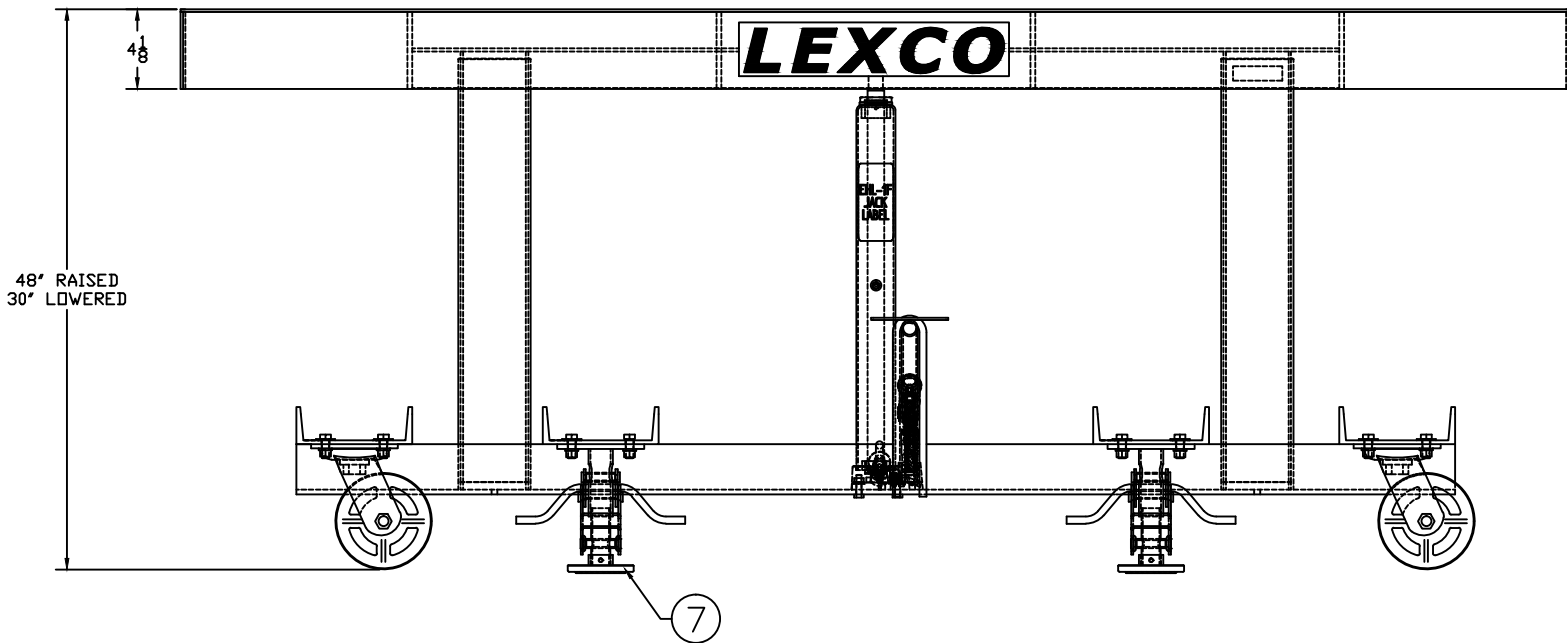


492129



Foot and Powered Portable Hydraulic Lift Table

- AC and DC power option available.
- Standard lift height 30" – 48".
- Optional lift ranges available, call factory.
- 10 gauge steel top.
- Foot operated.
- Precision telescoping guide tubes,
- 4 swivel 5" diameter steel wheels or optional polyurethane wheels.
- 2 floor locks.



Specs

- Capacity: 2000 lbs
- Table size: 30" x 72"
- Raised height: 48"
- Lowered height: 30"
- Caster: 5"
- Lift: 18"
- Weight: 457 lbs

THIS DRAWING IN ALL PARTICULARS IS WESCO INDUSTRIAL PRODUCTS INC. PROPERTY. ALL RIGHTS OF DESIGN, INVENTION OR USE OF ARE RESERVED.

PRINT ISSUED

APRIL 01, 2008

WESCO MANUFACTURING  
ENGINEERING DEPARTMENT

JL	JL	JL	APP
XXXX 01/20/10 ADDED ITEM 11, 108427	9492 04/27/09 498020 WAS 492010 498615 WAS 498602 ADDED NOTE #6 REMOVED 492019, 492024, 492025, 108196	6427 04/01/08 PRODUCTION RELEASE	
C	B	A	REV.

<b>WESCO INDUSTRIAL PRODUCTS INC.</b> LANSDALE PENNA. 19446	
PART NAME STN-3006-2F-A	DRAWN: J.L. 04-01-08
TOLERANCE UNLESS OTHERWISE SPECIFIED	
FRACTION 3 PLACE DECIMAL 2 PLACE DECIMAL	CHECKED:
± 1/64 ± .005 ± .01	APP. ENGR.
ANGULAR ± 1-1/2'	SCALE: 1" = 1"
SHEET 1 OF 1	492129
BREAK ALL SHARP EDGES AND REMOVE ALL BURRS	
REV	C