

ATTENTION: TO INSURE SAFE AND EASY USE OF YOUR WESCO LIFT TABLE, READ THESE INSTRUCTIONS BEFORE USING.

Description

Thank you for purchasing a Wesco Long Deck Scissors Lift Table. This table is designed for horizontal lifting and transportation of loads. Please carefully read these instructions before use and keep it on file for reference.

This product is distributed by:

Wesco Industrial Products, LLC
1250 Welsh Road
North Wales, PA 19454
Tel: 215-699-7031 Fax: 215-699-3836



Figure 1

Contact the factory for parts information and ordering.
Visit us on the web at www.wescomfg.com

Unpacking

When unpacking the Wesco Product, check carefully for shipping damage and missing parts. If damage has occurred or any parts are missing, file a claim with the delivering carrier within 24 hours and notify the dealer from whom the unit was purchased.

Warranty Repairs

If the unit does not work properly, contact your dealer or the factory (215-699-7031) for units less than one year.

Non-Warranty Service

If units are older than one year, repairs can be made easily on site with factory supplied parts.

NOTE: Do not send units to the factory for service without first obtaining a "Return Merchandise Authorization" (RMA) number from the customer service department. We will not be responsible for merchandise returned without proper authorization.

To Purchase Parts

To Order Parts contact Customer Service at:

Phone: 215-699-031
Fax: 215-699-3836

Specifications

Part Number	273230
Model Number	LDT-3080
Capacity	2200 lbs
Table Size	30" Width x 80" Length
Raised Height	53.5"
Lowered Height	14.2"
Wheel Size	7" x 2"
Caster Size	3" x 1-1/2" (Swivel)
Weight	435 lbs

General Safety Information

Warning: The Wesco Lift Tables are designed for a wide range of uses. To insure safe use, the following instructions must be adhered to.

- 1) Read these instructions carefully before operation and get to know the performance and operation requirements of the lift table.
- 2) Do not overload the hydraulic lift table. Overloading can result in damage to the table and could cause injury.
- 3) Do not stand or sit on the table during operation.
- 4) Do not insert hands or feet under a lowering table.
- 5) Brake the table when loading goods to prevent it from moving.
- 6) When loading, goods should be distributed uniformly over the table's top surface.
- 7) Loose or unstable goods are not permitted to be loaded. Do not load and/or raise loose or unstable goods for fear of injury.
- 8) Do not move table while lifting a load.
- 9) The table can only be moved on flat and hard ground, do not use on sloped or rugged ground;
- 10) The safety valve only works in the hoisting process, if the table has been hoisted, and then has overweight load on it, the safety valve will not work (also possibly damaging the unit).
- 11) When loading and unloading goods on hoisted table, don't drag goods in cross direction, which may cause serious off-set loading and make the table turn over.
- 12) When maintaining and repairing the table, the stand bar should be used to support fork arm in order to prevent table from falling (there should be no load on the table).

Operation Instructions

Braking

Engage the brakes to prevent movement of the table and lift and lower loads.

- 1) Press down on both brake pedals, situated above the casters
- 2) Release the brakes by applying pressure to the other side of the release pedals.

Lifting

Warning: Do not place load on side or end of table or overload the lift table. Stay within its rated capacity shown below.

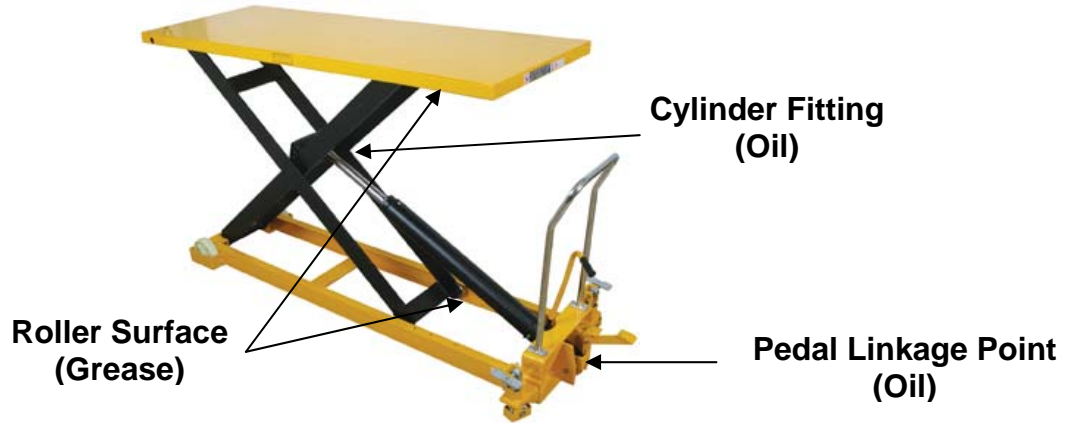
Model	LDT-3080
Part Number	273230
Max Capacity (lbs)	2200

- 1) Press foot pedal to raise loads.
- 2) Use release lever to lower loads
- 3) Use locking pins to prevent lowering of loads.

MAINTENANCE INFORMATION

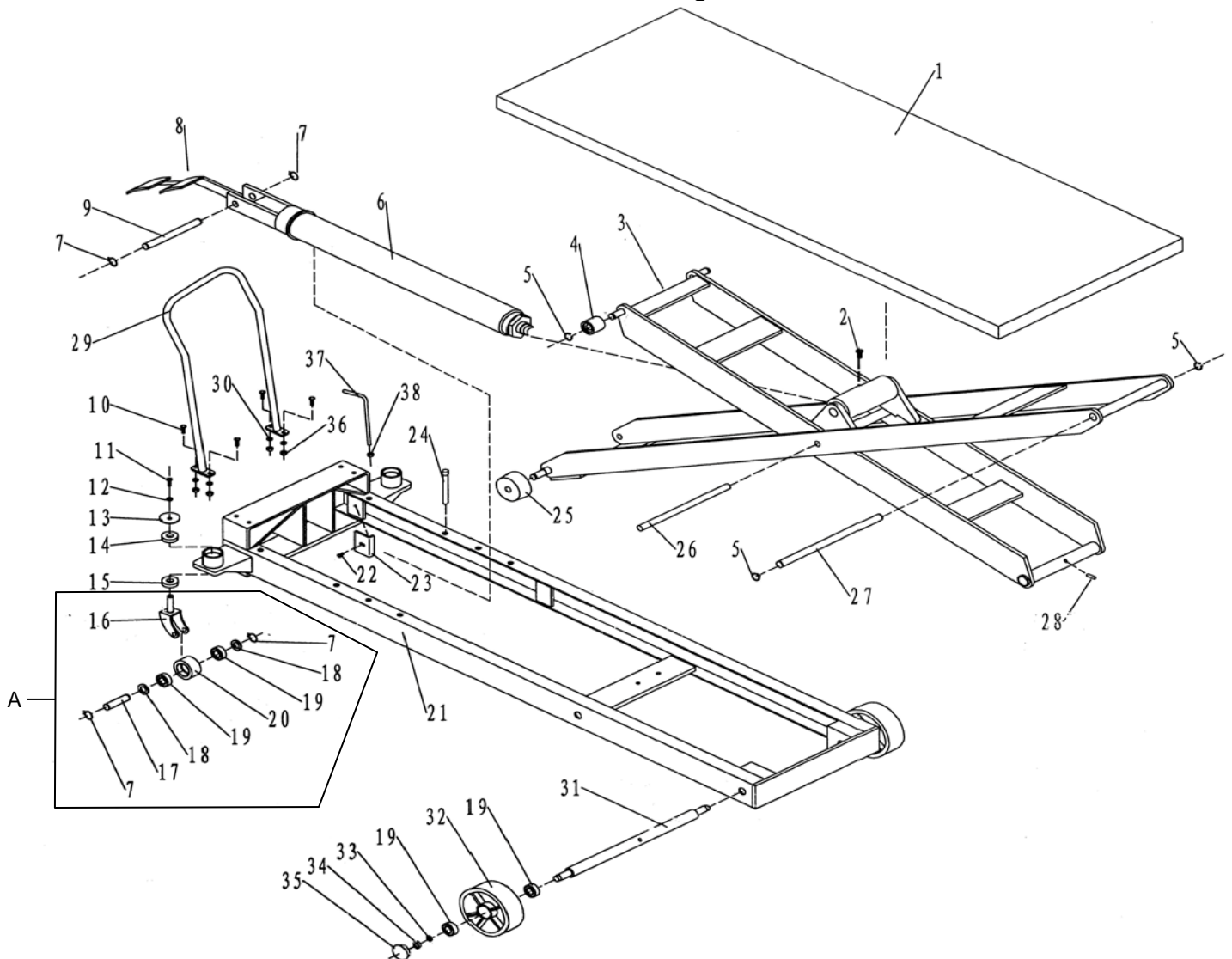
Lubrication Points

Apply lubrication to these areas monthly.



REPLACEMENT PART INFORMATION

Frame Part Diagram



ATTENTION: TO INSURE SAFE AND EASY USE OF YOUR WESCO LIFT TABLE, READ THESE INSTRUCTIONS BEFORE USING.

REPLACEMENT PART INFORMATION

Frame Part List

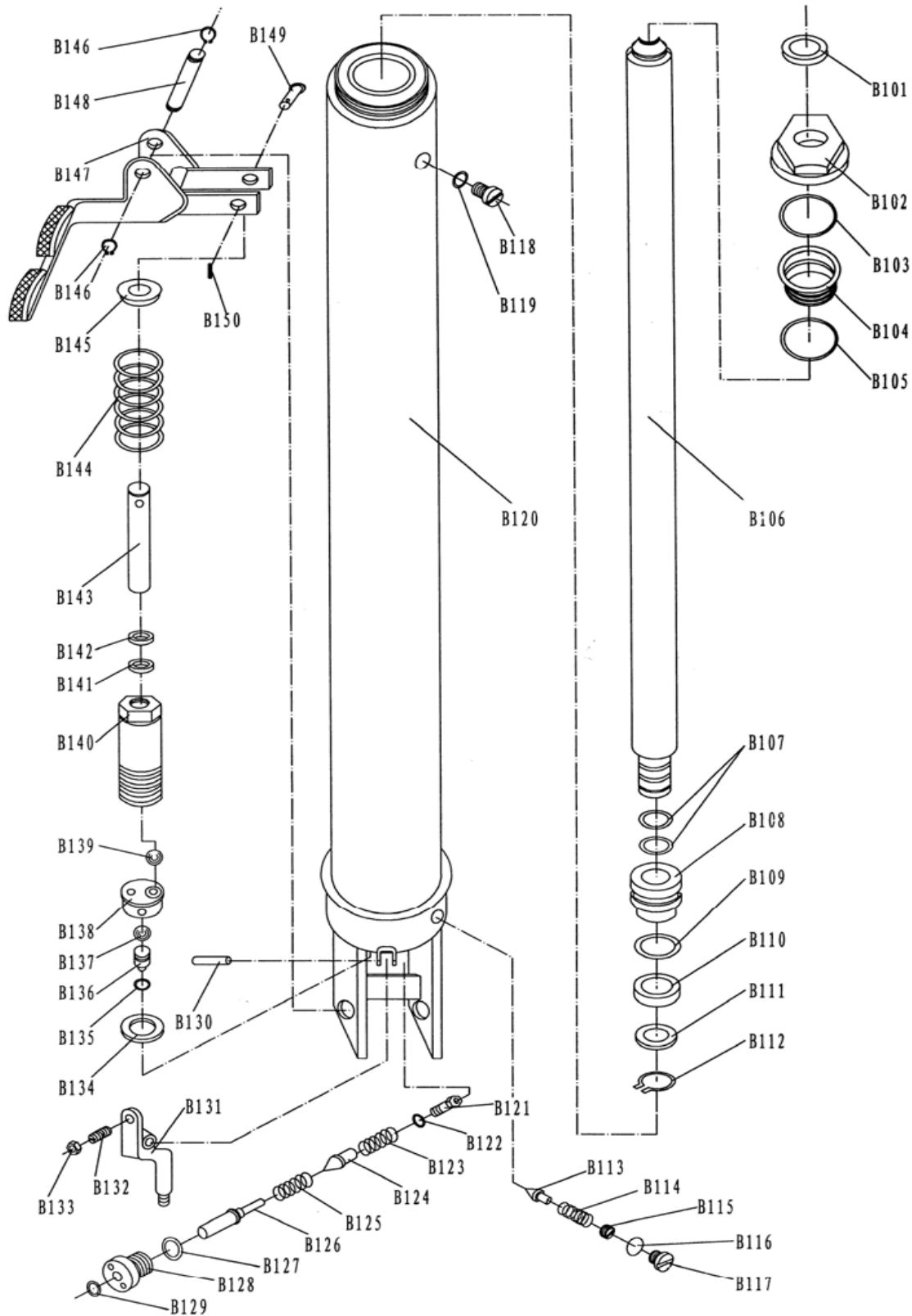
Item	P/N	Description	Qty
1		Table	1
2		Screw	1
3		Fork Arm	1
4		Roller of Table	2
5		Locking Ring	4
6	273720	Hydraulic Pump	1
7		Locking Ring	2
8	273759	Pedal Bar	1
9		Shaft	1
10		Bolt	4
11		Bolt	2
12		Elastic Washer	2
13		Cover	2
14		Bearing	2
15	273724	Bearing	2
16	273725	Housing: Swivel Caster	2
17	273726	Axle: Swivel Caster	2
18		Washer	4
19	273727	Bearing	8

Item	P/N	Description	Qty
20	273722	Caster: Rigid, 7" x 2" Nylon	2
21		Frame	1
22		Screw	2
23		Plate	2
24	273758	Pin	2
25		Roller	2
26		Axle	1
27		Shaft	1
28		Elastic Pin	1
29	273723	Handle (With Release Lever & Cables)	1
30		Elastic Washer	4
31		Shaft	1
32	273721	Caster: Locking, Swivel 7" x 2" Nylon	2
33		Locking Washer	2
34		Nut	2
35		Dust Cover	2
36		Nut	4
37	273756	Control Handle	1
A	273757	Assembly: Caster	2

ATTENTION: TO INSURE SAFE AND EASY USE OF YOUR WESCO LIFT TABLE, READ THESE INSTRUCTIONS BEFORE USING.

REPLACEMENT PART INFORMATION

Pump Part Diagram



ATTENTION: TO INSURE SAFE AND EASY USE OF YOUR WESCO LIFT TABLE, READ THESE INSTRUCTIONS BEFORE USING.

REPLACEMENT PART INFORMATION

Pump Part List

Item	P/N	Description	Qty
	273720	Complete Hydraulic Pump	1
B101		Dust Ring	1
B102		Screw Cover	1
B103		O Ring	1
B104		Sleeve	1
B105		O Ring	1
B106		Big Piston Rod	1
B107		O Ring	2
B108		Piston	1
B109		O Ring	1
B110		Y Ring	1
B111		Washer	1
B112		Locking Ring	1
B113		Safety Valve Spindle	1
B114		Spring	1
B115		Adjusting Screw	1
B116		Seal Washer	1
B117		Screw	1
B118		Screw	1
B119		Seal Washer	1
B120		Body of Pump	1
B121		Screw	1
B122		Seal Washer	1
B123		Spring	1
B124		Valve Spindle of Pump	1
B125		Spring	1

Item	P/N	Description	Qty
B126		Release Valve Pin	1
B127		O Ring	1
B128		Sleeve of Valve	1
B129		O Ring	1
B130		Elastic Pin	1
B131	273755	Lever Plate	1
B132		Nut	1
B133		Screw	1
B134		Seal Washer	1
B135		O Ring	1
B136		O Ring	1
B137		Steel Ball	1
B138		Body of Valve	1
B139		Steel Ball	1
B140		Cylinder	1
B141		O Ring	1
B142		Y Ring	1
B143		Piston Rod	1
B144		Spring	1
B145		Cap of Spring	1
B146		Locking Ring	2
B147		Pedal	1
B148		Shaft	1
B149		Shaft	1
B150		Elastic Pin	1
B151		Nut	1