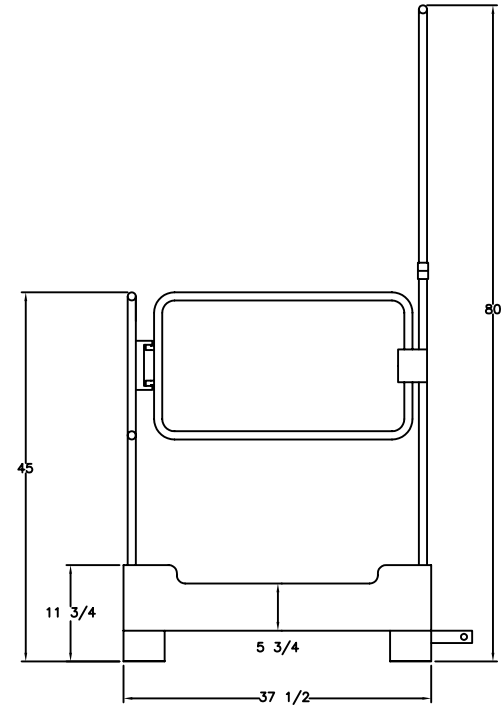
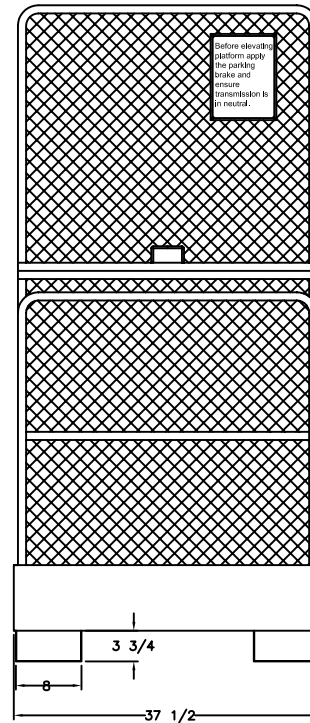


SPECS:

CAPACITY: 600 LBS  
 PLATFORM SIZE: 37" X 37" ID  
 FORK POCKETS: 7.75" X 3.5"  
 WEIGHT: 220 LBS  
 CENTER: 26"

OPTIONAL CASTER SET (P/N 272572)

CASTER SIZE: 4" X 1.5"  
 CASTER TYPE: MOLDON POLY SWIVEL  
 WEIGHT: 13.5 LBS



THIS DRAWING IN ALL PARTICULARS IS WESCO INDUSTRIAL PRODUCTS INC. PROPERTY. ALL RIGHTS OF DESIGN, INVENTION OR USE OF ARE RESERVED.

PRINT ISSUED  
 FEB 14 2011  
 WESCO MANUFACTURING  
 ENGINEERING DEPARTMENT

02-14-11 D.P.R. RELEASED	APP. REV. ECH & DATE REVISIONS	WESCO INDUSTRIAL PRODUCTS INC.		PENNA. 19446		
		PART NAME LANSDALE		DRAWING: D.R. 02-14-11		
		FORKLIFT MAINTENANCE PLATFORM				CHECKED:
		TOLERANCE UNLESS OTHERWISE SPECIFIED				APP. ENGR.
FRACTION		3 PLACE DECIMAL	2 PLACE DECIMAL		SCALE: 1" = 1"	
± 1/64		± .005	± .01		C-272571 REV A	
ANGULAR ± 1-1/2°		SHEET 1 OF 1				
BREAK ALL SHARP EDGES AND REMOVE ALL BURRS						