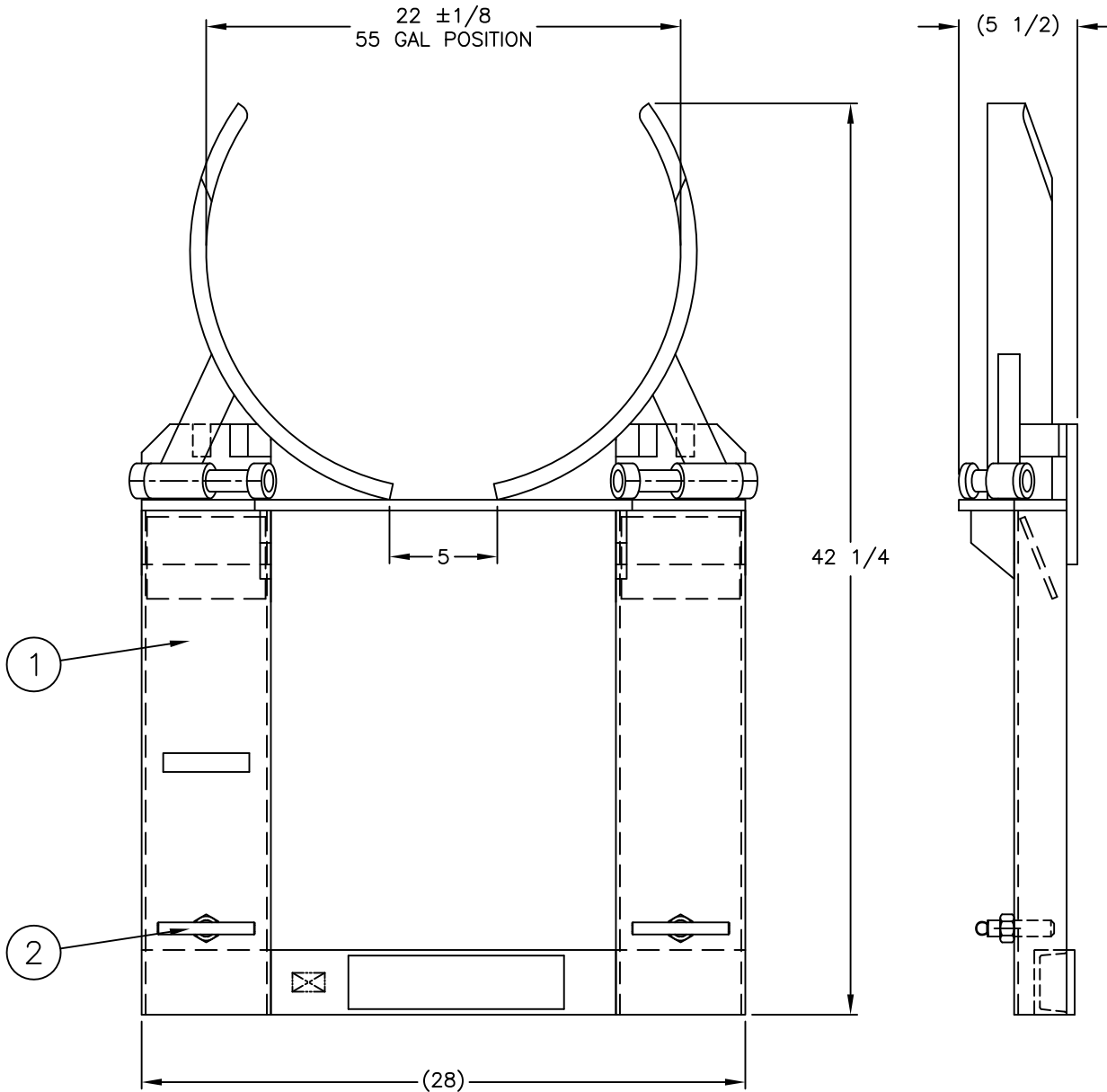


REPLACEMENT PARTS LIST			
1	054006	WELDMENT: POCKET W/052959	1
2	052974	WELDMENT: HANDLE CLAMP	2
* 3 150683 BOX: ADJ-53 SERIES 1			



\*NOT SHOWN

**ADJUSTABLE DRUM GRABS** for 30/55 gallon Steel Drums.

- Welded steel construction for durability.
- Made in USA
- Handle 30/55 gallon steel drums.
- Cost effective way to move 30/55 gallon drums.

P/N **240084**

Model ADJL-53  
 Capacity 1,500 lbs/drum  
 Handles One 30/55 gallon drum  
 Fork Pocket ID 7" x 2.25"  
 Weight 140 lbs  
 Boxed Yes

THIS DRAWING IN ALL PARTICULARS IS WESCO INDUSTRIAL PRODUCTS INC. PROPERTY. ALL RIGHTS OF DESIGN, INVENTION OR USE OF ARE RESERVED.

PRINT ISSUED

JUN 13 2007

WESCO MANUFACTURING  
ENGINEERING DEPARTMENT

R	W	S	APP
12-19-12	ADDRESS		
A	REV	REV	REV

<b>WESCO INDUSTRIAL PRODUCTS INC.</b> NORTH WALES PENNA. 19454	
PART NAME	ADJL-53
DRAWN:	MY 06-13-89
CHECKED:	
APP. ENGR.	
TOLERANCE UNLESS OTHERWISE SPECIFIED	
FRACTION	3 PLACE DECIMAL 2 PLACE DECIMAL
± 1/64	± .005 ± .01
ANGULAR ± 1-1/2°	SHEET 1 OF 1
BREAK ALL SHARP EDGES AND REMOVE ALL BURRS	
SCALE:	4" = 1"
C-270084	REV A