

REPLACEMENT PARTS LIST			
1	054003	WELDMNT: POCKET W/052959	1
2	052974	WELDMNT: HANDLE CLAMP	2
* 3	150274	BOX: 28-1/4 X 8-1/2 X 24"	1

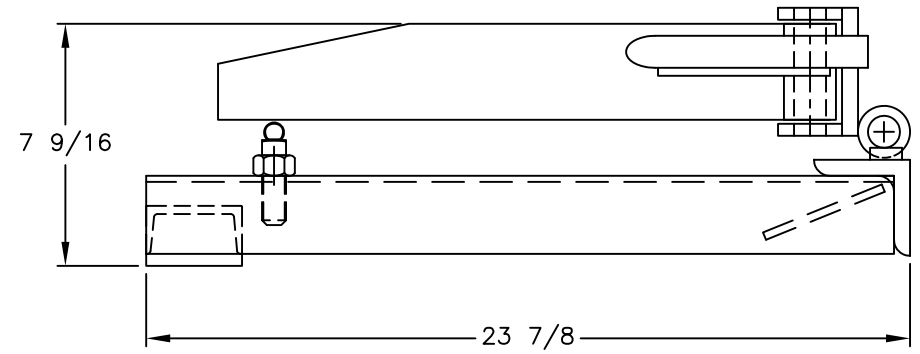
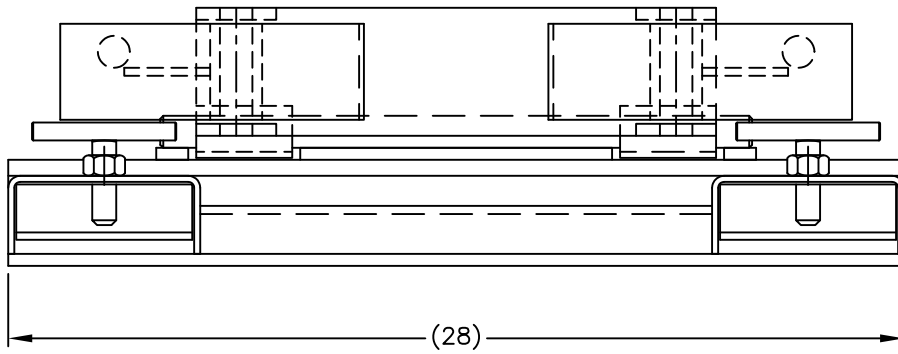
* NOT SHOWN

DRUM GRABS for 55 Gallon Stl. Drums

- All welded steel construction for durability.
- Cost effective way to move 55 gallon steel drums.

P/N **270051**

Model DJL-55
 Capacity 1,500 lbs/Drum
 Handles One 55 gallon
 Fork Pocket ID 7" x 2.25"
 Weight: 150 lbs
 Boxed YES



THIS DRAWING IN ALL PARTICULARS IS WESCO INDUSTRIAL PRODUCTS INC. PROPERTY. ALL RIGHTS OF DESIGN, INVENTION OR USE OF ARE RESERVED.

PRINT ISSUED
 JUN 13 2007
 WESCO MANUFACTURING
 ENGINEERING DEPARTMENT

REV.	DATE	BY	APP.
A	12-19-12	RWS	APP.
UPDATED ADDRESS			

WESCO INDUSTRIAL PRODUCTS INC. NORTH WALES PENNA. 19454	
PART NAME	DWL-55
DRAWN:	RLC 05-06-85
CHECKED:	
APP. ENGR.	
TOLERANCE UNLESS OTHERWISE SPECIFIED FRACTION 3 PLACE DECIMAL 2 PLACE DECIMAL ± 1/64 ± .005 ± .01 ANGULAR ± 1-1/2° SHEET 1 OF 1 BREAK ALL SHARP EDGES AND REMOVE ALL BURRS	
SCALE:	3" = 1"
C-270051	REV A