

261032

POWERED STACKER 1,000 LBS

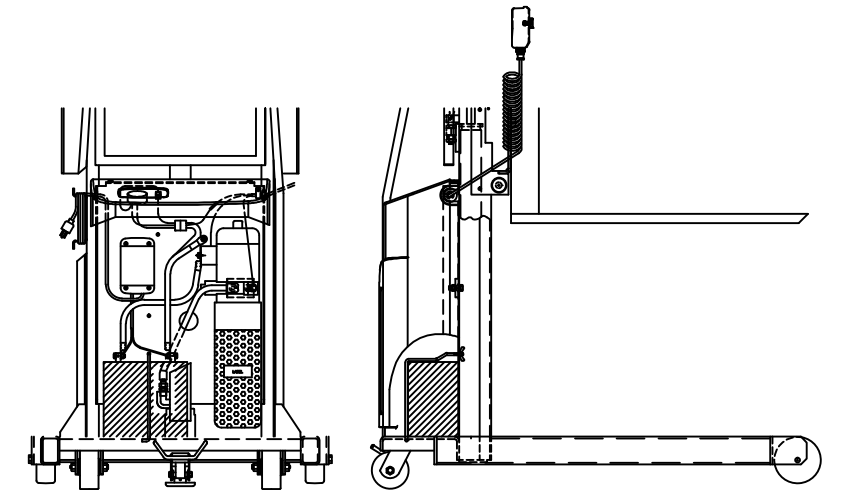
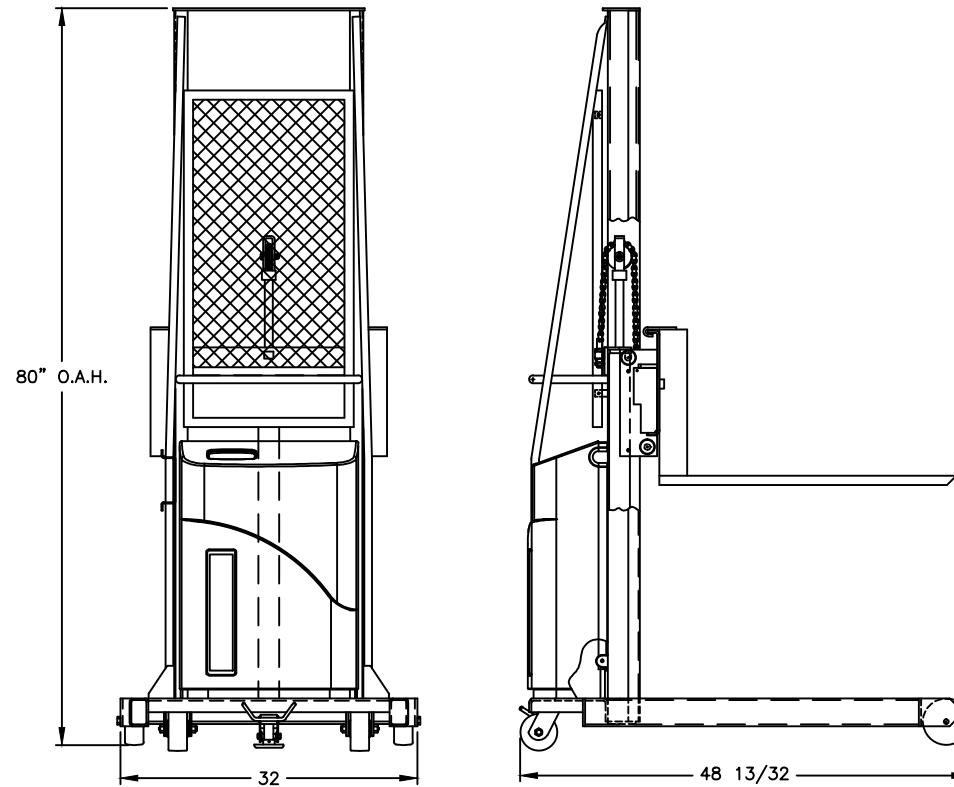
Features:

- Remote control, floor lock, and safety screen are standard on all models.
- With a minimally charged battery, unit can be used while recharging.
- Easy to read illuminated battery status voltmeter - No extra cost.
- 12V DC battery or 110V AC units available.

STRADDLE FORK MODELS

- Forks lower to floor on all models.
- 5" phenolic wheels on front, 4" swivel on rear.

Model: PESFL-64-30S
 Lift Height: 64"
 O.A.H: 80"
 Weight: 483 lbs
 Leg ID/OD: 25.5"/32"
 Capacity: 1,000 lbs.
 Load Center: 18"



POWER UNIT

POWER-LIFT STACKER PARTS LIST
64"/68" LIFT

1	051164	HYDRAULIC CYLINDER	1
2	109101	POWER UNIT	1
3	109102	BATTERY	1
4	109104	VOLTMETER	1
5	052779	BATTERY CABLE (NEG.)	1
6	052780	BATTERY CABLE (POS.)	1
7	109150	BATTERY CHARGER	1
8	125824	HYDRAULIC HOSE	1
9	052726	REMOTE CONTROL ASS'Y	1
10	109325	SWITCH	1
11	050771	LIFT CHAIN ASS'Y	1
12	260143	ROLLER CARRIER ASS'Y	1
13	150001	FLOOR LOCK	1
14	053769	WHEEL	2
15	054265	CASTER	2
16	109117	SOLENOID	1

HYDRAULIC CYLINDER PARTS LIST

17	051073	CYLINDER	1
18	051196	PISTON	1
19	051198	CYLINDER CAP	1
20	220170	SEAL KIT	1

THIS DRAWING IN ALL PARTICULARS IS WESCO INDUSTRIAL PRODUCTS INC. PROPERTY. ALL RIGHTS OF DESIGN, INVENTION OR USE OF ARE RESERVED.

PRINT ISSUED

DEC 06 2007

WESCO MANUFACTURING
ENGINEERING DEPARTMENT

APP	WESCO INDUSTRIAL PRODUCTS INC.	
	LANSDALE	PENNA. 19446
ECN & DATE	PART NAME	DRAWN: KL 08-07-01
	PESFL-64-30S	CHECKED: PS 08-16-01
REVISIONS	TOLERANCE UNLESS OTHERWISE SPECIFIED	
	FRACTION	3 PLACE DECIMAL 2 PLACE DECIMAL
	± 1/64	± .005 ± .01
	ANGULAR ± 1-1/2'	SHEET 1 OF 2
REV.	BREAK ALL SHARP EDGES AND REMOVE ALL BURRS	

SCALE: 1" = 20"

B-261032 REV