

261027

POWERED STACKER 1,000 LBS

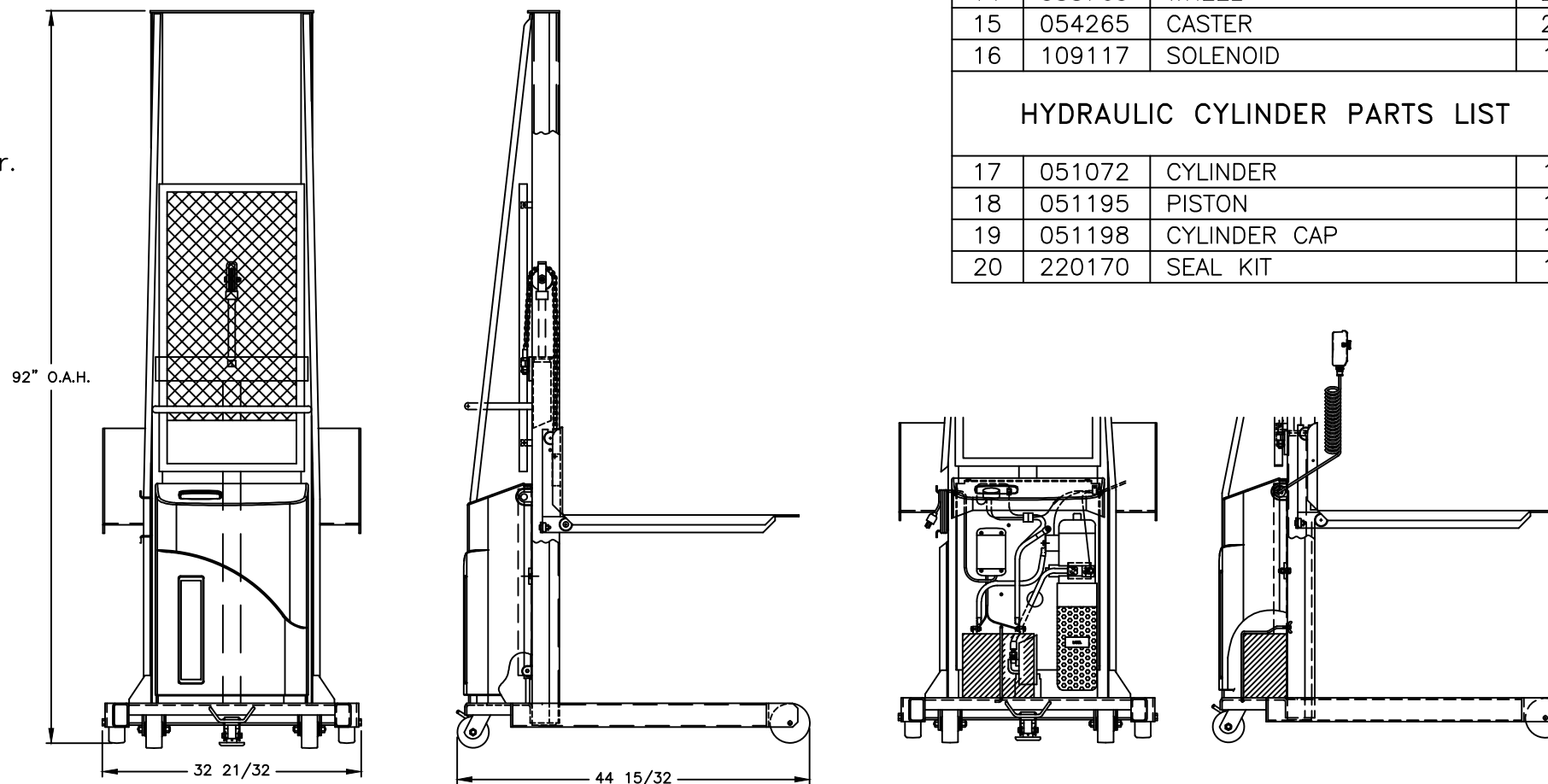
Features:

- Remote control, floor lock, and safety screen are standard on all models.
- With a minimally charged battery, unit can be used while recharging.
- Easy to read illuminated battery status voltmeter - No extra cost.
- 12V DC battery or 110V AC units available.

PLATFORM MODELS

- 24" X 24" OR 30" X 32" Platform size L X W
- 5" phenolic wheels on front, 4" phenolic swivel casters on rear.
- 110V AC models available.

Model: PESPL-80-3032
 Lift Height: 80"
 O.A.H: 92"
 Weight: 492 lbs.
 Leg ID/OD: 25.5"/32"
 Capacity: 1,000 lbs.
 Load Center: 18"



POWER-LIFT STACKER PARTS LIST
76"/80" LIFT

| | | | |
|----|--------|----------------------|---|
| 1 | 051163 | HYDRAULIC CYLINDER | 1 |
| 2 | 109101 | POWER UNIT | 1 |
| 3 | 109102 | BATTERY | 1 |
| 4 | 109104 | VOLTMETER | 1 |
| 5 | 052779 | BATTERY CABLE (NEG.) | 1 |
| 6 | 052780 | BATTERY CABLE (POS.) | 1 |
| 7 | 109150 | BATTERY CHARGER | 1 |
| 8 | 125824 | HYDRAULIC HOSE | 1 |
| 9 | 052726 | REMOTE CONTROL ASS'Y | 1 |
| 10 | 109325 | SWITCH | 1 |
| 11 | 050772 | LIFT CHAIN ASS'Y | 1 |
| 12 | 260143 | ROLLER CARRIER ASS'Y | 1 |
| 13 | 150001 | FLOOR LOCK | 1 |
| 14 | 053769 | WHEEL | 2 |
| 15 | 054265 | CASTER | 2 |
| 16 | 109117 | SOLENOID | 1 |

HYDRAULIC CYLINDER PARTS LIST

| | | | |
|----|--------|--------------|---|
| 17 | 051072 | CYLINDER | 1 |
| 18 | 051195 | PISTON | 1 |
| 19 | 051198 | CYLINDER CAP | 1 |
| 20 | 220170 | SEAL KIT | 1 |

THIS DRAWING IN ALL PARTICULARS IS WESCO INDUSTRIAL PRODUCTS INC. PROPERTY. ALL RIGHTS OF DESIGN, INVENTION OR USE OF ARE RESERVED.

PRINT ISSUED

DEC 06 2007

WESCO MANUFACTURING
ENGINEERING DEPARTMENT

| | | | | |
|--|--------------------------------------|-----------------|-----------------------|-----------------|
| REVISIONS | WESCO INDUSTRIAL PRODUCTS INC. | | LANSDALE PENNA. 19446 | |
| | PART NAME | | DRAWN: KL 08-07-01 | |
| | PESPL-80-3032 | | CHECKED: PS 08-16-01 | |
| | TOLERANCE UNLESS OTHERWISE SPECIFIED | | APP. ENGR. | |
| FRACTION | | 3 PLACE DECIMAL | 2 PLACE DECIMAL | SCALE: 1" = 20" |
| ± 1/64 | | ± .005 | ± .01 | B-261027 |
| ANGULAR ± 1-1/2' | | SHEET 1 OF 2 | | |
| BREAK ALL SHARP EDGES AND REMOVE ALL BURRS | | | | REV |