

POWERED STACKER 1,000 LBS

- Remote control, floor lock, and safety screen are standard on all models.
- With a minimally charged battery, unit can be used while recharging.
- Easy to read illuminated battery status voltmeter - No extra cost.
- 12V DC battery or 110V AC units available.

PLATFORM MODELS

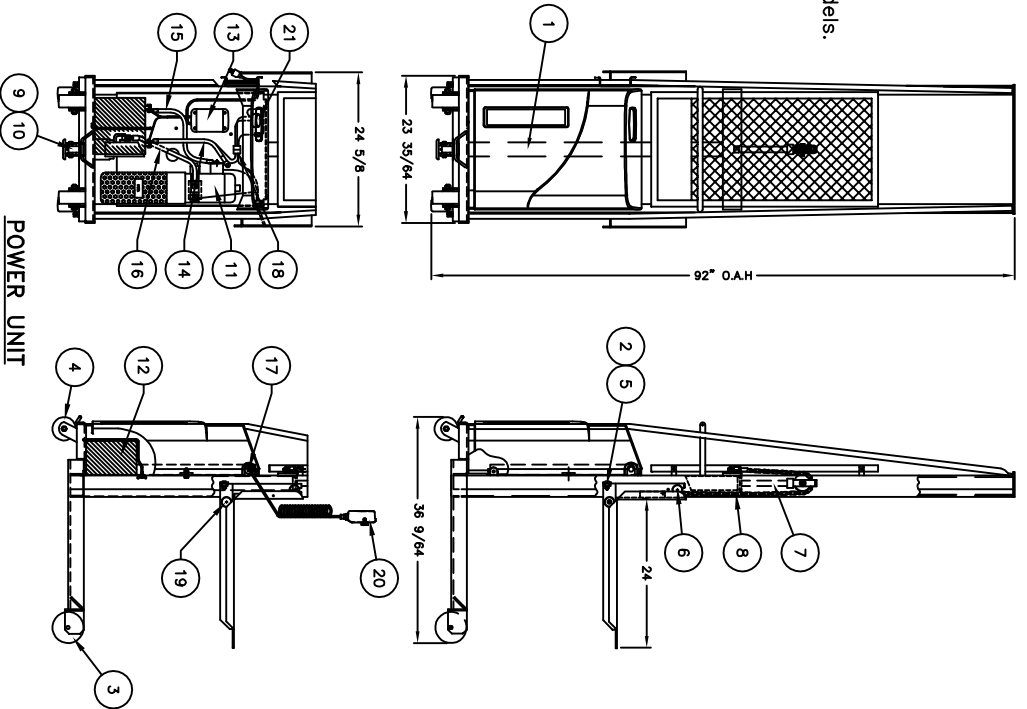
- 24" X 24" OR 30" X 32" Platform size L X W
- 5" phenolic wheels on front, 4" phenolic swivel casters on rear.
- 110V AC models available.

Model: PESPL-80-2424  
 Lift Height: 80"  
 O.A.H: 93"  
 Weight: 457 lbs.  
 Leg ID/OD: 15"/21"  
 Capacity: 1,000 lbs.  
 Load Center: 15"

PRINT ISSUED

FEB 18 2008

WESCO MANUFACTURING  
 ENGINEERING DEPARTMENT



BILL OF MATERIAL

ITEM	PART NO.	DESCRIPTION	QTY.
1	051163	JACK: 76/80" ASSEMBLY	1
2	051429	ANGLE, SLIDE ROLLER	4
3	053769	WHEEL ASSEMBLY	2
4	054285	SWIVEL CASTER	2
5	108519	BALL BEARING, RADIAL	4
6	108517	ROLLER, MAG PLATFORM	4
7	260143	KIT: ROLLER CARRIER	1
	108967	CHAIN ROLLER	1
8	050338	WELDMENT: ROLLER CARRIER	1
	050772	ASSY: CHAIN 76/80"	1
	108503	CHAIN: #520 RIVETED	1
	051459	STUD	1
	108502	LINK	2
9	150001	FLOOR LOCK (CUSTOM)	1
10	051397	SHIM: FLOOR LOCK	1
11	109101	PUMP: HYD., 12V., VERT.	1
12	109102	BATTERY: SEALED	1
13	052762	CHARGER: BATTERY (OLD)	1
14	109150	CHARGER: BATTERY (NEW)	1
15	052779	ASSY: BATTERY CABLE (-) 12"	1
16	052780	ASSY: BATTERY CABLE (+) 19"	1
17	125824	HOSE: HYD. 1/4" W/ FITTING	1
18	109081	GROMMET: RUBBER	2
19	055496	SUB-ASSY: WIRING HARNESS	1
20	052767	GUARD: RH/LH ROLLER	2
21	052726	SUB-ASSY: REMOTE CONTROL	1
	055495	SUB-ASSY: PLASTIC COVER	1
	170528	PLASTIC COVER	1
	109104	GAUGE	1
	109325	SWITCH	1
22	050726	SEAL KIT (WELDED CYL.)	1
23	220170	SEAL KIT (THREADED CYL.)	1

\* NOT SHOWN

POWER UNIT

WESCO INDUSTRIAL PRODUCTS INC.  
 LANSDALE PENNA. 19446

PART NAME: PESPL-80-2424

FRAC: ± 1/64 3 PLACE DECIMAL  
 ANG: ± 1-1/2° ± .01 2 PLACE DECIMAL

SCALE: 1" = 20"

APP. ENGR. B-261024

DRWN: KL 08-07-01  
 CHECKED: PS 08-16-01

REV. ECN & DATE REVISIONS