

REPLACEMENT PARTS LIST

ITEM	PART NO.	DESCRIPTION	QTY
*	101	HANDLE GRIP	1
*	102	CONTROL HANDLE	1
*	103	ELASTIC PIN	1
*	104	NUT	1
*	105	BOLT WITH HOLE	1
*	106	JACKET	1
*	107	PULL ROD	1
*	108	BOLT	12
*	109	WASHER	12
*	110	SEAT OF GRIP	2
*	111	RETAINING RING	6
*	112	PIN	4
*	113	ELASTIC WASHER	12
*	114	NUT	12
*	115	SPRING	2
*	116	CUSHION	2
*	117	LONG SHAFT	1
*	118	UNIVERSAL WHEEL	2
*	119	FRAME	1
*	120	PIN	2
*	121	WASHER	4
*	122	AXLE	2
*	123	BEARING	4
*	124	WHEEL	2
*	125	RETAINING RING	2
*	126	PUMP UNIT	1
*	127	PIN	1
*	128	WASHER	1
*	129	RETAINING RING	2
*	130	PIN	1

REPLACEMENT PARTS LIST

ITEM	PART NO.	DESCRIPTION	QTY
*	131	WASHER	2
*	132	RETAINING RING	2
*	133	CONNECTING ROD	1
*	134	CUSHION	1
*	135	BOLT	1
*	136	WASHER	1
*	137	ELASTIC WASHER	1
*	138	NUT	1
*	139	PROTECTING COVER	1
*	140	PEDAL BAR	1
*	141	TABLE	1
*	142	RETAINING RING	6
*	143	ROLLER	2
*	144	WASHER	4
*	145	ROLLER	2
*	146	PIN	2
*	147	BUSHING	2
*	148	RETAINING RING	2
*	149	PIN	1
*	150	RETAINING RING	2
*	151	FORK ARM	1
*	152	BUSHING	2
*	153	PIN	2
*	154	RETAINING RING	2
*	157	SUPPORT PLANK	2
*	158	NUT	2
*	159	SCREW	2
*	160	PROTECTING BOARD	1
*	161	BOLT	4

*ITEM AVAILABLE IN KIT LISTED BELOW

REPLACEMENT KITS (UNITS MANUFACTURED BEFORE 02/2001)

	151542	REPLACEMENT WHEEL WITH NYLON HUB & BEARING (ITEMS 123 & 124)	1
	151543	REPLACEMENT CASTER WITH NYLON HUB (ITEM 118)	1
	260202	RELEASE KNOB	1
	260203	SET SCREW	1

REPLACEMENT KITS (UNITS MANUFACTURED AFTER 02/2001)

	270891	FRONT WHEEL ASSEMBLY (ITEMS 120-125)	2
	270890	SWIVEL CASTER (ITEM 118)	2
	260252	HANDLE RELEASE ASSEMBLY (ITEMS 102-107)	1

PRINT ISSUED

JULY 20, 2009

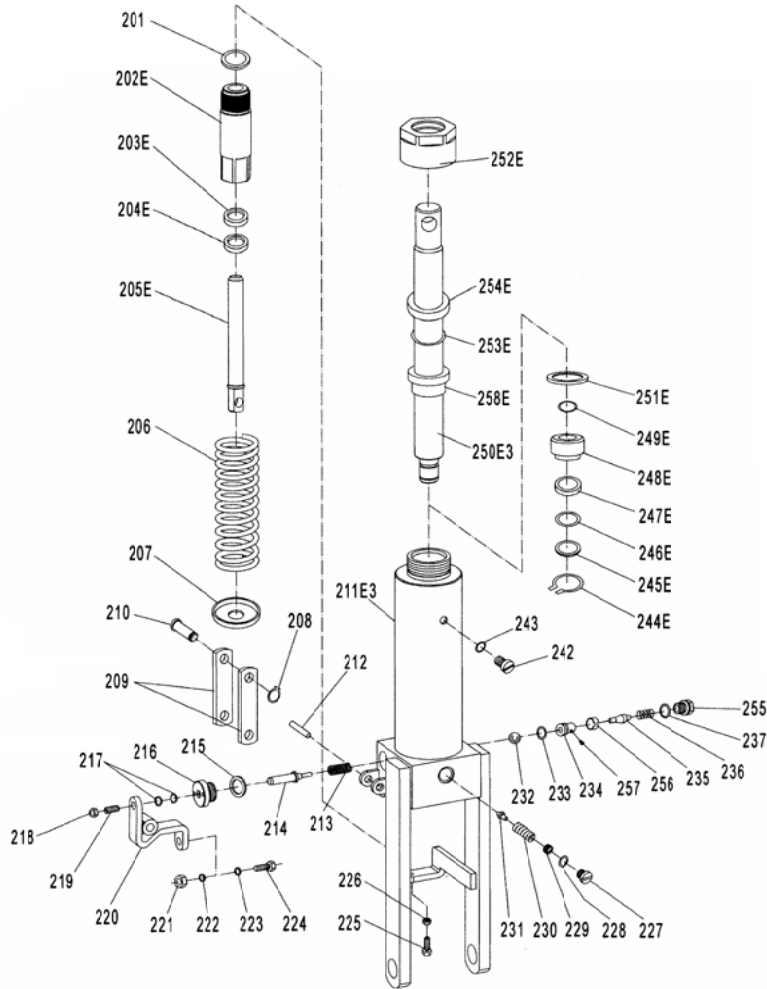
WESCO MANUFACTURING
ENGINEERING DEPARTMENT

REV. EGN & DATE APP. REVISIONS

WESCO INDUSTRIAL PRODUCTS INC.
NORTH WALES PENNA. 19454

PART NAME
LT-700SL
SCISSOR LIFT TABLE
TOLERANCE UNLESS OTHERWISE SPECIFIED
FRACTION 3 PLACE DECIMAL 2 PLACE DECIMAL
± 1/84 ± .005 ± .01
ANGULAR ± 1-1/2" SHEET 1 OF 2
BREAK ALL SHARP EDGES AND REMOVE ALL BURRS

DRAWN:
CHECKED:
APP. ENGR.
SCALE:
D-260199 REV



REPLACEMENT PARTS LIST

ITEM	PART NO.	DESCRIPTION	QTY
201		SEAL WASHER	1
202		PUMP CYLINDER	1
203		DUST RING	1
204		Y-SEAL	1
205		PUMP PISTON	1
206		SPRING	1
207		SPRING CAP	1
208		RETAINING RING	1
209		JOINT PLATE	2
210		PIN	1
211E		PUMP BODY	1
212		ELASTIC PIN	1
213		SPRING	1
214		STRIKE PIN	1
215		SEAL WASHER	1
216		AXLE SLEEVE	1
217		O-RING	2
218		NUT	1
219		SCREW	1
220		LEVER PLATE	1
221		NUT	1
222		ELASTIC WASHER	1
223		WASHER	1
224		BOLT WITH HOLE	1
225		BOLT WITH HOLE	1
226		NUT	1
227		PLUG	1

REPLACEMENT PARTS LIST

ITEM	PART NO.	DESCRIPTION	QTY
228		O-RING	1
229		ADJUSTING BOLT	1
230		SPRING	1
231		SPINDLE OF SAFETY VALVE	1
232		STEEL BALL	1
233		O-RING	1
234		SEAT OF PUMPING VALVE	1
235		SPINDLE OF PUMPING VALVE	1
236		SPRING	1
237		SEAL WASHER	1
242		BOLT	1
243		SEAL WASHER	1
244E		RETAINING RING	1
245E		WASHER	1
246E		O-RING	1
247E		CUP PACKING	1
248E		PISTON	1
249E		O-RING	1
250E		PISTON ROD	1
251E		SEAL WASHER	1
252E		CYLINDER CAP	1
253E		O-RING	1
254E		DUST RING	1
255		PLUG	1
256		LIQUID THROTTLE SHEATH	1
257		BOLT	1
258E		SLEEVE	1

REPLACEMENT KITS (UNITS MANUFACTURED BEFORE 02/2001)

151540	COMPLETE REPLACEMENT PUMP UNIT	1
--------	--------------------------------	---

REPLACEMENT KITS (UNITS MANUFACTURED AFTER 02/2001)

151544	COMPLETE REPLACEMENT PUMP UNIT	1
270227	SEAL KIT	1

SCISSOR LIFT TABLES

- Foot operated pump
- Easy to use spring loaded release lever
- 5" x 1.5" polyurethane casters with locks

P/N 260199

Model: LT-700SL
 Weight: 170 lbs
 Table Size: 19.5" x 32"
 Table Thickness: .1"
 Lowered Height: 14"
 Raised Height: 35"
 Capacity: 700 lbs
 Overall Height: 37"
 Depth: 42"
 Width: 19.5"

PRINT ISSUED

JULY 20, 2009

WESCO MANUFACTURING
ENGINEERING DEPARTMENT

APP	WESCO INDUSTRIAL PRODUCTS INC.		NORTH WALES		PENNA. 19454	
	PART NAME		LT-700SL		DRAWN:	
EON & DATE	SCISSOR LIFT TABLE		SCISSOR LIFT TABLE		CHECKED:	
	TOLERANCE UNLESS OTHERWISE SPECIFIED					
	FRACTION		3 PLACE DECIMAL		2 PLACE DECIMAL	
REV.	± 1/64		± .005		± .01	
	ANGULAR ± 1-1/2"		SHEET 2 OF 2		SCALE:	
	BREAK ALL SHARP EDGES AND REMOVE ALL BURRS					
				D-260199		REV