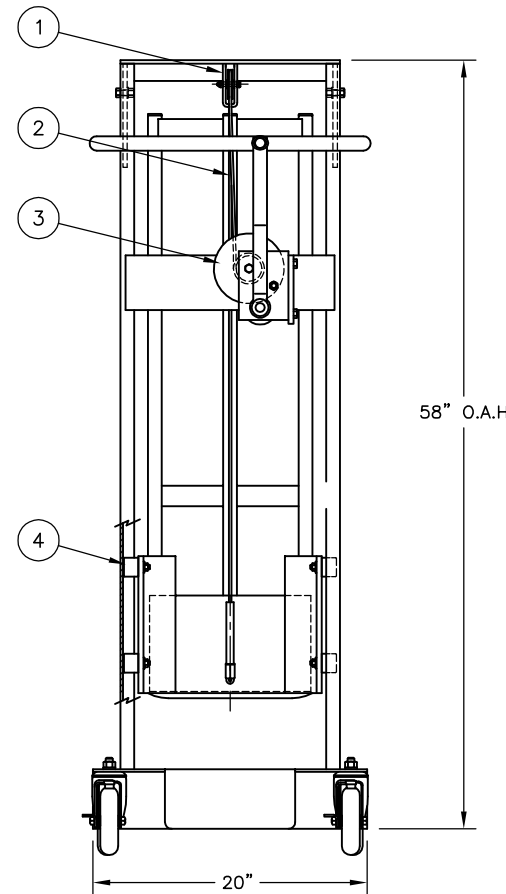
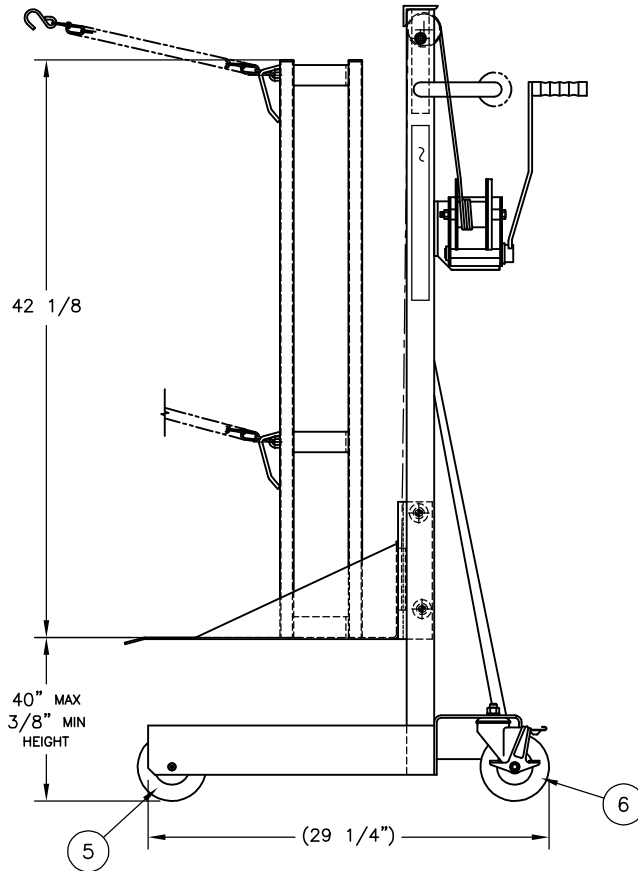


# CYLINDER LIFT:

- Easily lifts and transports gas cylinders.
- Swivel casters make maneuvering in tight places easier.
- Foot operated hydraulic pump or manual winch with auto-break available.

## Replacement Parts List (40" Lift)

1	054133	ASS'Y: SHEAVE	1
2	053513	ASS'Y: CABLE (40" Lift Cable)	1
3	151294	WINCH COMPLETE (3 MOUNTING HOLES)	1
	108504	WINCH COMPLETE (2 MNT'G HOLES PRE-1996)	1
4	055345	ROLLER: PLATFORM	4
5	108974	WHEEL: 5 X 1-5/16"	2
6	108977	CASTER: SWIVEL 5 X 1-5/16"	2



P/N: 260163

Model: LLWPB  
 Lift Height: 40"  
 O.A.H: 58"  
 Weight: 150 lbs  
 Capacity: 300 lbs  
 Type: Winch  
 Boxed: No

THIS DRAWING IN ALL PARTICULARS IS WESCO INDUSTRIAL PRODUCTS INC. PROPERTY. ALL RIGHTS OF DESIGN, INVENTION OR USE OF ARE RESERVED.

PRINT ISSUED

JUN 01 2005

WESCO MANUFACTURING  
ENGINEERING DEPARTMENT

REV.	ECH & DATE	REVISIONS	WESCO INDUSTRIAL PRODUCTS INC.		APP.	
			LANSDALE PENNA. 19446			
			PART NAME LLWPB SPECIAL			DRAWN: PS 04-28-05
			LITE-LIFT CYL. TRUCK W/WINCH			CHECKED:
TOLERANCE UNLESS OTHERWISE SPECIFIED			APP. ENGR.	SCALE: 1" = 7"	REV B	
FRACTION	3 PLACE DECIMAL	2 PLACE DECIMAL	C-260163			
± 1/64	± .005	± .01				
ANGULAR ± 1-1/2'	SHEET 1 OF 1					
BREAK ALL SHARP EDGES AND REMOVE ALL BURRS						