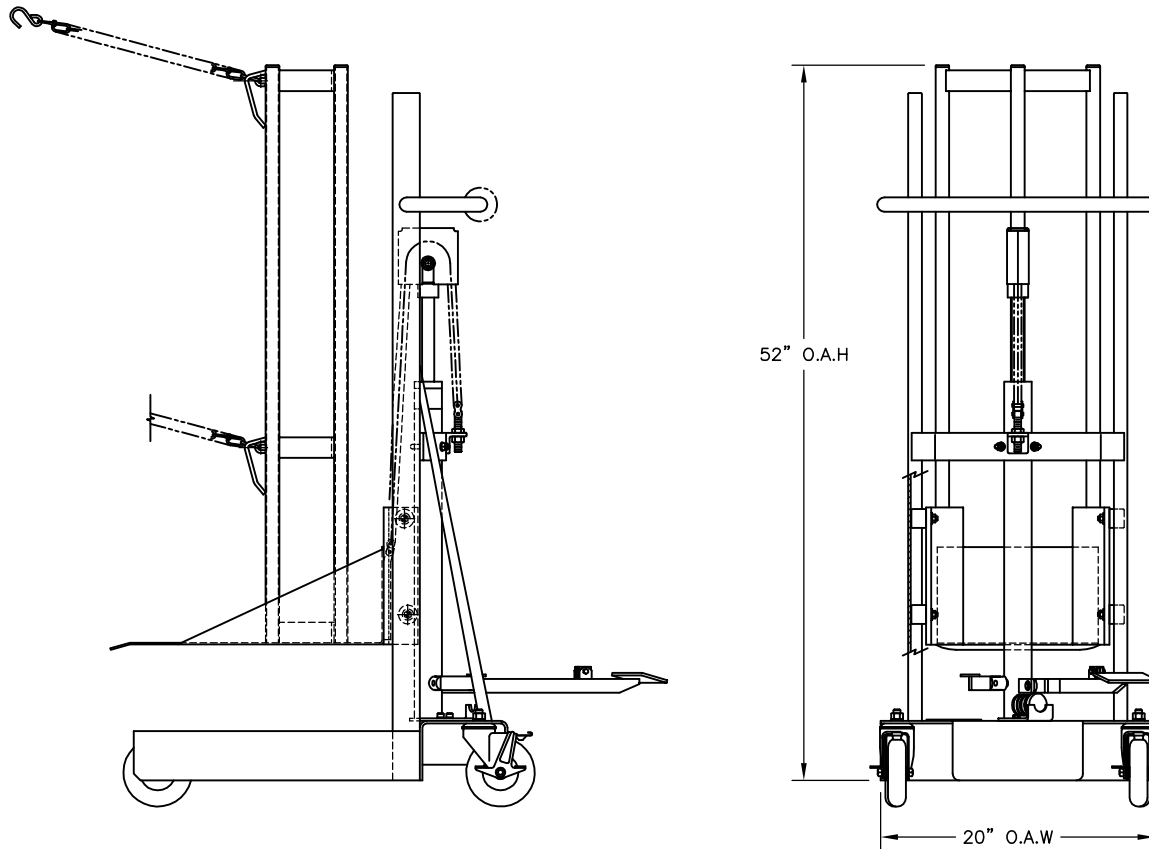


CYLINDER LIFT:

- Easily lifts and transports gas cylinders.
- Swivel casters make maneuvering in tight places easier.
- Foot operated hydraulic pump or manual winch with auto-break available.



Replacement Parts List (40" Lift)

1	051160	JACK	1
	050755	JACK BODY	1
	050756	JACK BASE	1
	050767	MAIN PISTON HARDWARE	1
	051152	MAIN PISTON	1
	051038	INNER CYLINDER	1
	051027	OUTER CYLINDER	1
	050757	OUTER CYLINDER HARDWARE	1
	050468	MAGNET/SPACER ASS'Y	1
	052722	SEAL KIT	1
2	050750	PUMP VALVE ASS'Y	1
3	050752	RELIEF PEDAL ASS'Y	1
4	050754	PUMPING/RELEASE VALVE ASS'Y	1
5	260143	ROLLER CARRIER ASS'Y	1
6	050768	LIFT CHAIN ASS'Y	1
7	055345	ROLLER: PLATFORM	4
8	108974	WHEEL: 5 X 1-5/16"	2
9	108977	CASTER: SWIVEL STEM 5x1-5/16"	2

P/N: 260161

Model: LLHPB
 Lift Height: 40"
 O.A.H: 52"
 Weight: 165 lbs
 Capacity: 300 lbs
 Type: Hydraulic
 Boxed: No

THIS DRAWING IN ALL PARTICULARS IS WESCO INDUSTRIAL PRODUCTS INC. PROPERTY. ALL RIGHTS OF DESIGN, INVENTION OR USE OF ARE RESERVED.

PRINT ISSUED

JUN 01 2005

WESCO MANUFACTURING
ENGINEERING DEPARTMENT

REV.	ECH & DATE	REVISIONS	APP.	
			WESCO INDUSTRIAL PRODUCTS INC.	
			LANSDALE	PENNA. 19446
			DRAWN: PS 04-28-05	
PART NAME			LLHPB	
w/CYLINDER RACK			CHECKED:	
TOLERANCE UNLESS OTHERWISE SPECIFIED			APP. ENGR.	
FRACTION 3 PLACE DECIMAL 2 PLACE DECIMAL			SCALE: 1" = 7"	
± 1/64 ± .005 ± .01			C-260161	
ANGULAR ± 1-1/2° SHEET 1 OF 1			REV	
BREAK ALL SHARP EDGES AND REMOVE ALL BURRS				