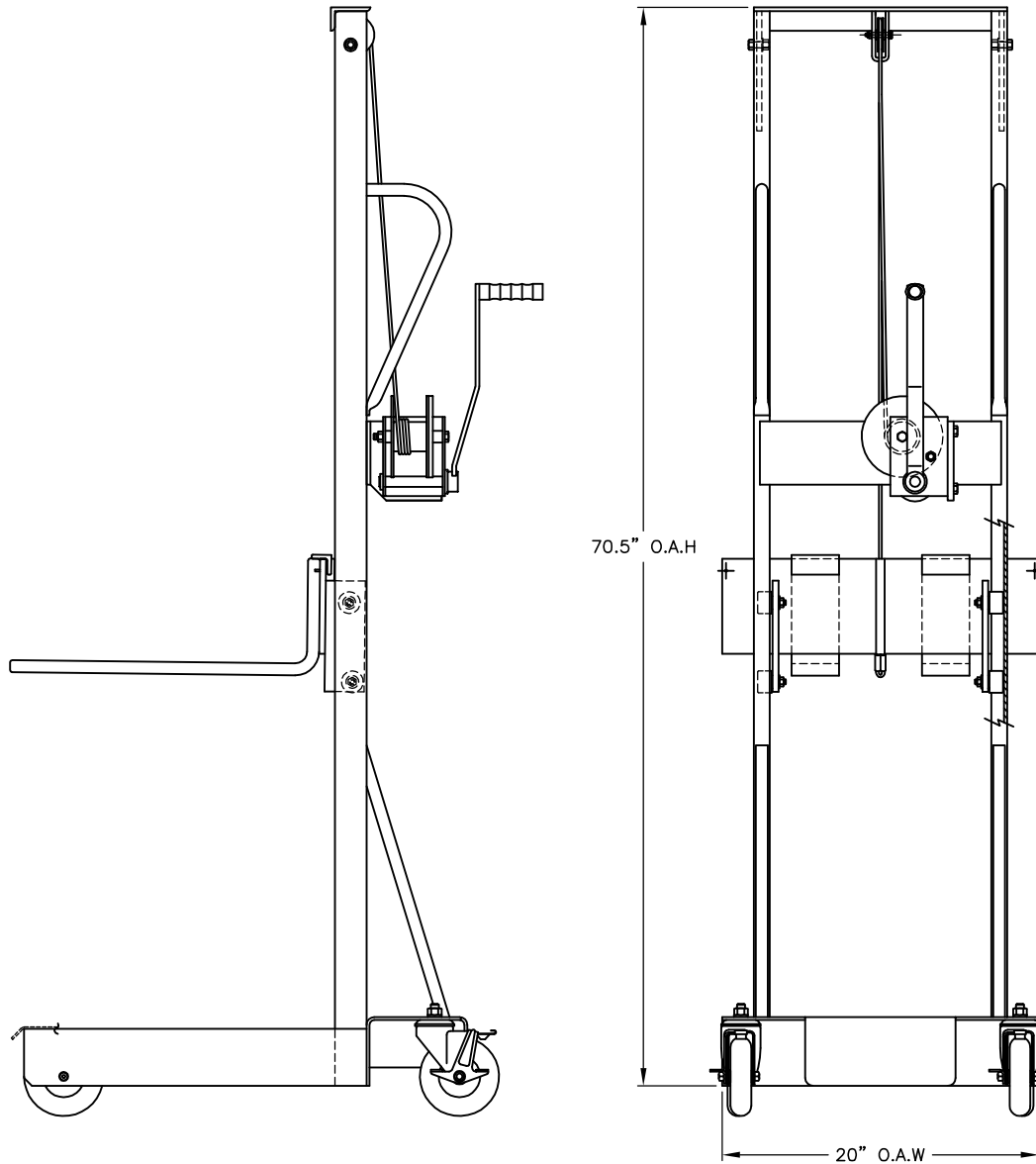


Replacement Parts List (40" Lift)

1	054133	ASS'Y: SHEAVE	1
2	053508	ASS'Y: CABLE (54" Lift Cable)	1
3	151294	WINCH COMPLETE (3 MOUNTING HOLES)	1
	108504	WINCH COMPLETE (2 MNT'G HOLES PRE-1996)	1
4	055345	ROLLER: PLATFORM	4
5	108974	WHEEL: 5 X 1-5/16"	2
6	108977	CASTER: SWIVEL 5 X 1-5/16"	2
7	260157	PLATFORM; OPTION LLHF/LLWF	1



WINCH LITE-LIFT

- Manual winch with auto-break
- No catches to release
- Low Maintenance.
- Casters with wheel locks.

P/N: 260153

Model: LLWF (Fork)  
 Lift hgt: 54"  
 O.A.H: 70.5"  
 O.A.W: 20"  
 Weight: 124 lbs  
 Capacity: 500 lbs  
 Cstr/Whl: 5"  
 Fork: 19"L x 3"W x .75"  
 Boxed: No  
 Front leg span: 15.25"ID x 20" OD  
 Fork lowered ht: 4.25"

PLATFORM OPTION: 260157

- Provides the utility of two units.
- Easy installation-no tools required.
- Casters with wheel locks.

THIS DRAWING IN ALL PARTICULARS IS WESCO MFG. CO. PROPERTY. ALL RIGHTS OF DESIGN, INVENTION OR USE OF ARE RESERVED.

PRINT ISSUED

JAN. 24, 2006

WESCO MANUFACTURING  
 ENGINEERING DEPARTMENT

WESCO MANUFACTURING CO.  
 LANSDALE PENNA. 19446

REV.	ECH & DATE	REVISONS	PART NAME	LLWFI	DRAWN: SKH	7-23-96
				LITE-LIFT SERIES	CHECKED: PS	8-23-96
			TOLERANCE UNLESS OTHERWISE SPECIFIED		APP. ENGR.	
			FRACTION	3 PLACE DECIMAL	2 PLACE DECIMAL	SCALE: 6" = 1"
	± 1/64	± .005	± .01			
	ANGULAR ± 1-1/2'	SHEET 1	OF 1	C-260153	REV	
BREAK ALL SHARP EDGES AND REMOVE ALL BURRS						