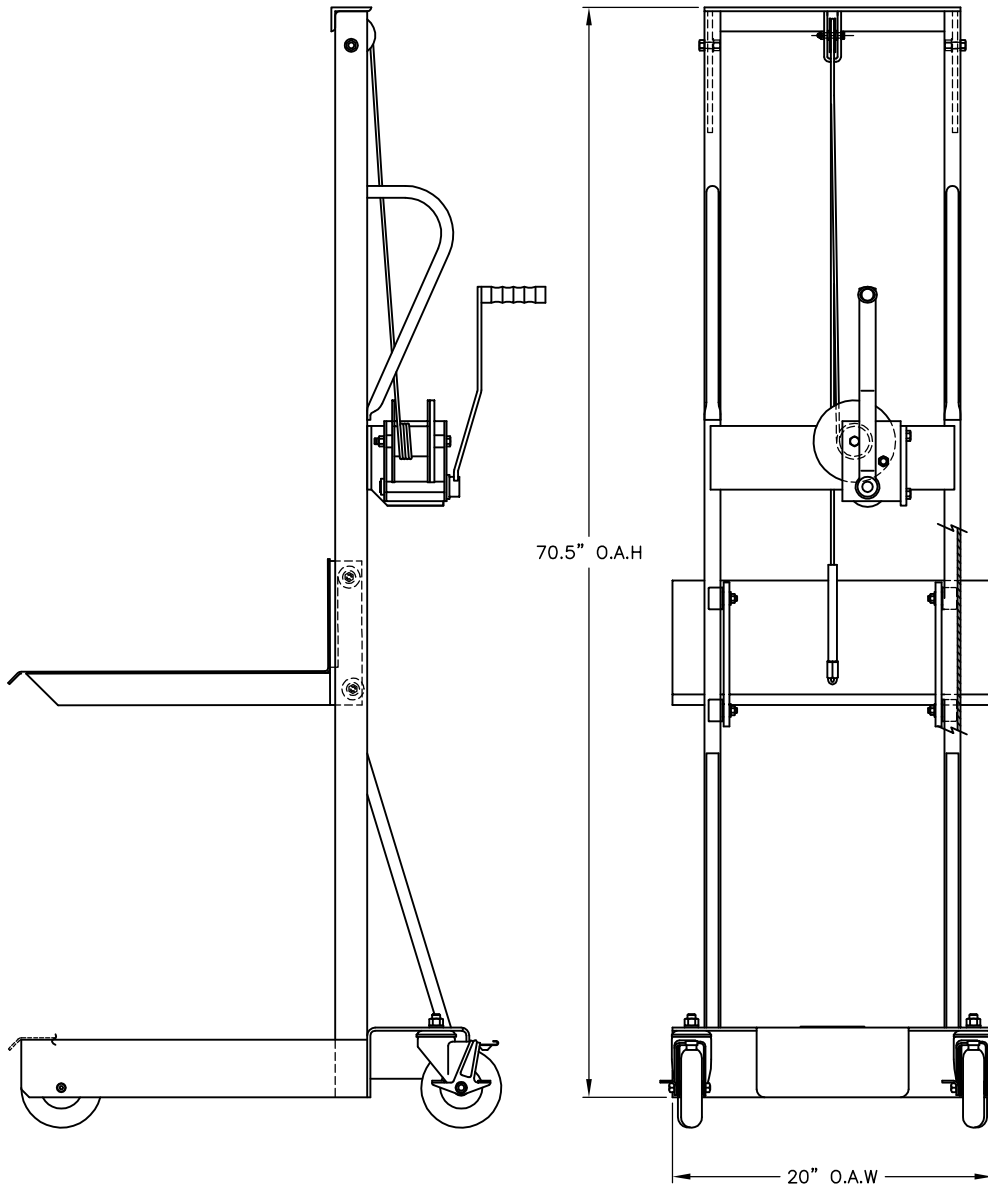


Replacement Parts List (40" Lift)

1	054133	ASS'Y: SHEAVE	1
2	053508	ASS'Y: CABLE (54" Lift Cable)	1
3	151294	WINCH COMPLETE (3 MOUNTING HOLES)	1
	108504	WINCH COMPLETE (2 MNT'G HOLES PRE-1996)	1
4	055345	ROLLER: PLATFORM	4
5	108974	WHEEL: 5 X 1-5/16"	2
6	108977	CASTER: SWIVEL 5 X 1-5/16"	2



WINCH LITE-LIFT

- Manual winch with auto-break
- No catches to release
- Low Maintenance.
- Casters with wheel locks.

P/N: 260152

Model: LLWP (Platform)
 Lift hgt: 54"
 O.A.H 70.5"
 O.A.W 20"
 Weight: 103 lbs
 Capacity: 500 lbs
 Cstr/Whl: 5"
 Platform 20" x 20"
 Boxed: No
 Front leg span: 15.25"ID x 20" OD
 Pltform lowered ht: 5.75"

THIS DRAWING IN ALL PARTICULARS IS WESCO MFR. CO. PROPERTY. ALL RIGHTS OF DESIGN, INVENTION OR USE OF ARE RESERVED.

PRINT ISSUED
 JAN. 24, 2006
 WESCO MANUFACTURING
 ENGINEERING DEPARTMENT

REV. ECH & DATE	REVISIONS		APP.	
	WESCO MANUFACTURING CO. LANSDALE PENNA. 19446			
	PART NAME		DRAWING: SKH 7-23-96	
	LLWPI LITE-LIFT SERIES		CHECKED: PS 8-23-96	
TOLERANCE UNLESS OTHERWISE SPECIFIED				APP. ENGR.
FRACTION		3 PLACE DECIMAL	2 PLACE DECIMAL	SCALE: 6" = 1"
± 1/64		± .005	± .01	C-260152 REV
ANGULAR ± 1-1/2°		SHEET 1 OF 1		
BREAK ALL SHARP EDGES AND REMOVE ALL BURRS				