

HYDRAULIC LITE-LIFT

- Foot operated hydraulic pump.
- Release foot pedal for controlled lowering.
- Small skid/engine lifter available.
- Caster with wheels locks.

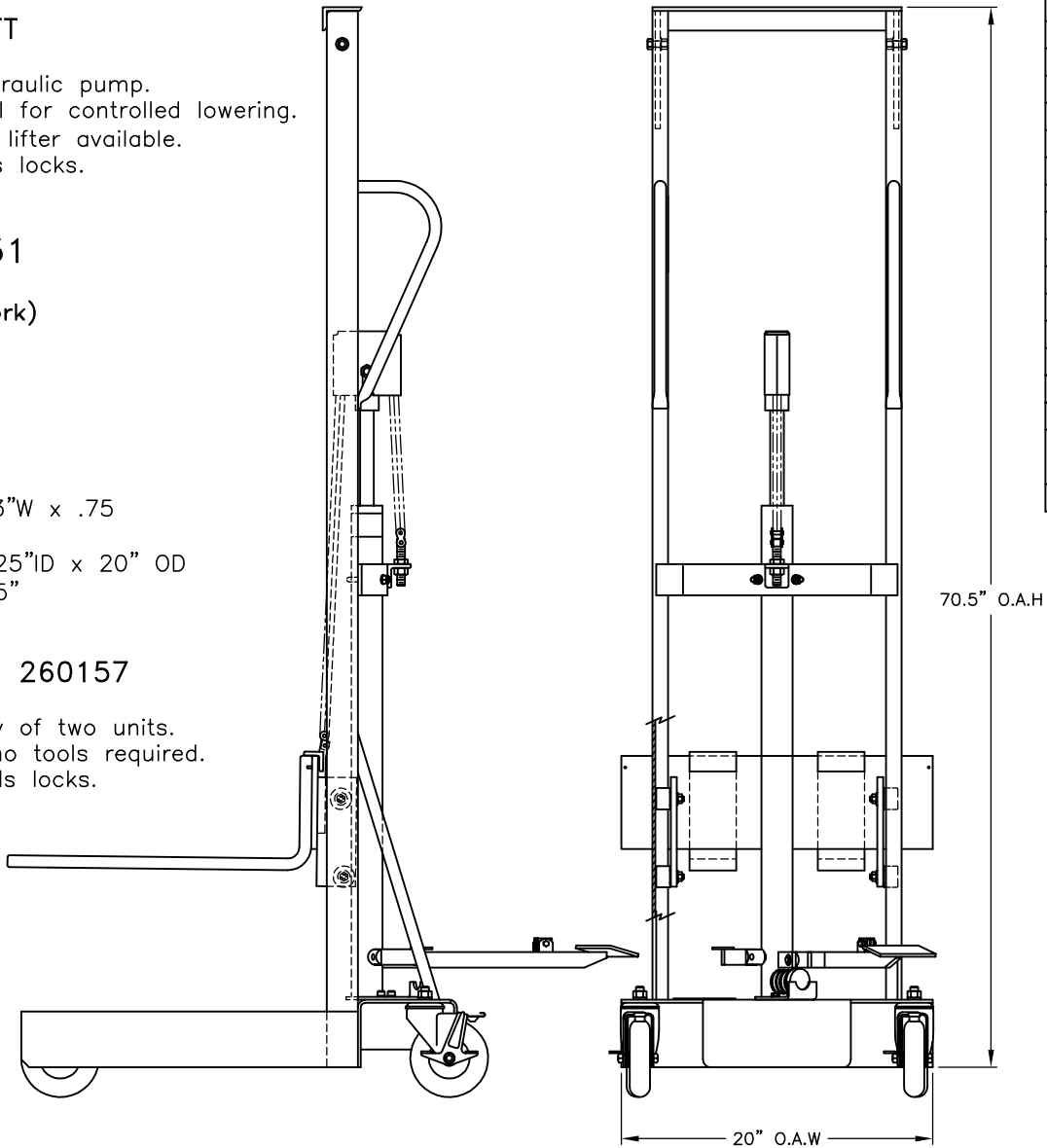
P/N: 260151

Model: LLHF (Fork)

Lift hgt: 54"
 O.A.H 70.5"
 O.A.W 20"
 Weight: 157 lbs
 Capacity: 500 lbs
 Cstr/Whl: 5"
 Fork: 19"L x 3"W x .75
 Boxed: No
 Front leg span: 15.25"ID x 20" OD
 Fork lowered ht: 4.25"

PLATFORM OPTION: 260157

- Provides the utility of two units.
- Easy installation—no tools required.
- Casters with wheels locks.



Replacement Parts List (54" Lift)

1	051159	ASS'Y: JACK (54")	1
	050755	JACK BODY	1
	050756	JACK BASE	1
	050767	MAIN PISTON HARDWARE	1
	051153	MAIN PISTON	1
	051039	INNER CYLINDER	1
	051028	OUTER CYLINDER	1
	050757	OUTER CYLINDER HARDWARE	1
2	050468	ASS'Y: MAGNET/SPACER	1
3	052722	KIT: SEAL	1
4	050750	ASS'Y: PUMP VALVE	1
5	050752	ASS'Y: RELIEF PEDAL	1
6	050754	ASS'Y: PUMPING/RELEASE VALVE	1
7	260143	ASS'Y: ROLLER CARRIER	1
8	050769	ASS'Y: LIFT CHAIN	1
9	108974	WHEEL: 5 X 1-5/16"	2
10	108977	CASTER: SWIVEL STEM 5x1-5/16"	2
11	055345	ROLLER: PLATFORM	4
Platform Option for Fork Units			
12	260157	PLATFORM; OPTION LLHF/LLWF	1

THIS DRAWING IN ALL PARTICULARS IS WESCO MFG. CO. PROPERTY. ALL RIGHTS OF DESIGN, INVENTION OR USE OF ARE RESERVED.

PRINT ISSUED

JAN. 24, 2006

WESCO MANUFACTURING
ENGINEERING DEPARTMENT

REV. ECH. & DATE	WESCO MANUFACTURING CO.		PENNA. 19446	
	LANSDALE			
	PART NAME		DRAWING: SKH 7-23-96	
	LLHF		CHECKED: PS 8-23-96	
LITE-LIFT SERIES		APP. ENGR.		
TOLERANCE UNLESS OTHERWISE SPECIFIED				
FRACTION		3 PLACE DECIMAL	2 PLACE DECIMAL	SCALE: 6" = 1"
± 1/64		± .005	± .01	
ANGULAR ± 1-1/2°		SHEET 1 OF 1	C-260151	
BREAK ALL SHARP EDGES AND REMOVE ALL BURRS				