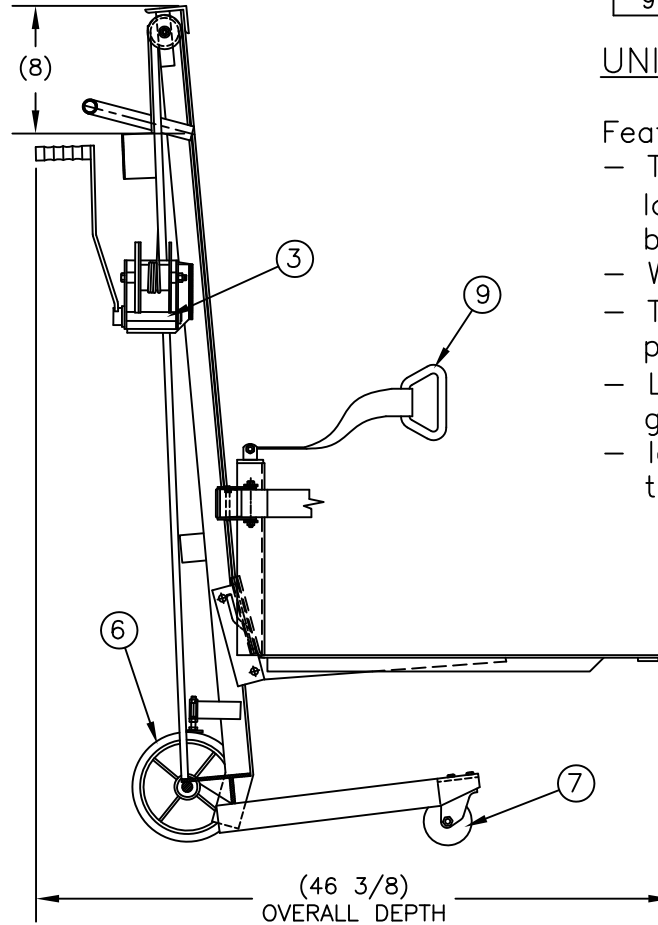
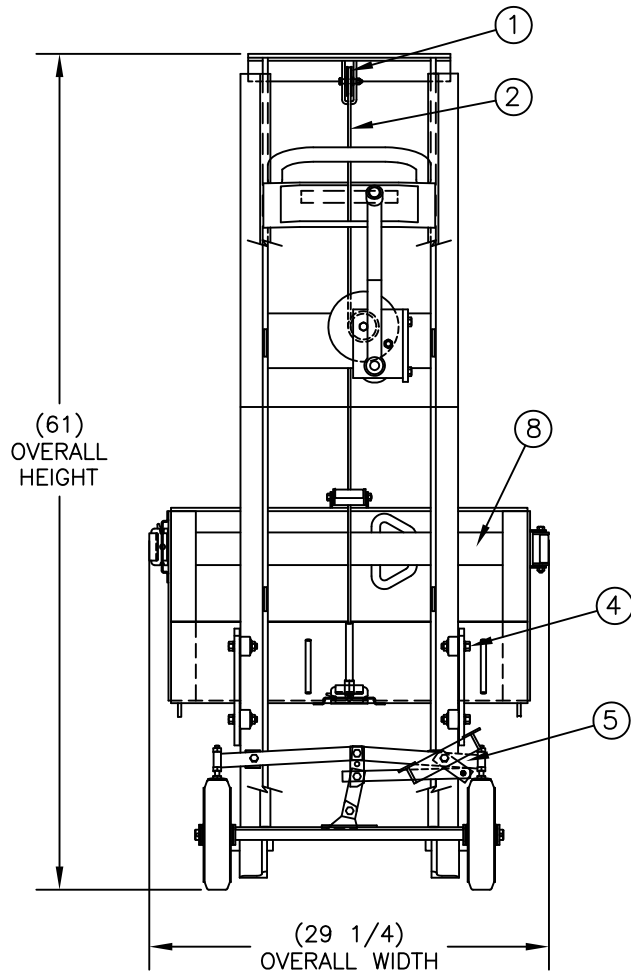


REPLACEMENT PARTS LIST			
ITEM	PART NO.	DESCRIPTION	QTY.
1	054133	ASS'Y: SHEAVE	1
2	053508	ASS'Y: CABLE (54" LIFT CABLE)	1
3	151294	WINCH COMPLETE (3 MNT'G HOLES AFTER 1996)	1
	108504	WINCH COMPLETE (2 MNT'G HOLES PRE 1996)	1
4	108501	ROLLER: PLATFORM CAM	4
5	260080	KIT: WHEEL LOCK "FOOT STYLE" (STL. PL-40/54)	1
	260072	KIT: WHEEL LOCK "HANDLE STYLE" (PL-54)	1
6	052868	WHEEL: "H1" 8 X 2	2
7	108303	CASTER: SWIVEL 3.5 X 1.25"	2
8	053342	BELT: W/CAM BUCKLE/90" ASS'Y YELLOW	1
9	053337	BELT: W/CAM BUCKLE/66" ASS'Y YELLOW	1



UNIVERSAL LIFT

Features:

- Two straps with buckles to help secure load, 9' wrap around & 5' front to back.
- Winch with auto brake.
- Two 8" wheels and two 3 1/2" polyurethane casters.
- Lowered platform sits 6" above ground.
- Ideal for placing rental equipment on to pickup truck or into van.

P/N 260130
 Model: ULP-2630
 Lift Height: 54"
 O.A.H 60.5"
 Weight: 224 LB.
 Capacity: 750 LB.
 Platform: 26"W X 30"L
 Boxed: No

THIS DRAWING IN ALL PARTICULARS IS WESCO INDUSTRIAL PRODUCTS, LLC PROPERTY. ALL RIGHTS OF DESIGN, INVENTION OR USE OF ARE RESERVED.

PRINT ISSUED

AUG 09, 2018

WESCO MANUFACTURING
 ENGINEERING DEPARTMENT

REV.	ECH & DATE	REVISONS	WESCO INDUSTRIAL PRODUCTS, LLC		APP.
			NORTH WALES		PENNA. 19454
			PART NAME		DRAWN: KL 03-02-05
			ULP-2630		CHECKED:
TOLERANCE UNLESS OTHERWISE SPECIFIED			APP. ENGR.		
FRACTION 3 PLACE DECIMAL 2 PLACE DECIMAL			SCALE:		
± 1/64 ± .005 ± .01					
ANGULAR ± 1-1/2°			SHEET 1 OF 1		
BREAK ALL SHARP EDGES AND REMOVE ALL BURRS			C-260130		REV