

RNR MACHINERY MOVERS

Features:

- Heavy duty capacities up to 5 tons – the most economical way to lift and move large bulky loads.
- Swivel casters allow movement in any direction.
- Hand operated hydraulic jack for easy lifting and controlled lowering of loads.
- All models supplied with hooks for recommended optional LB-1 or LB-2 load binders.

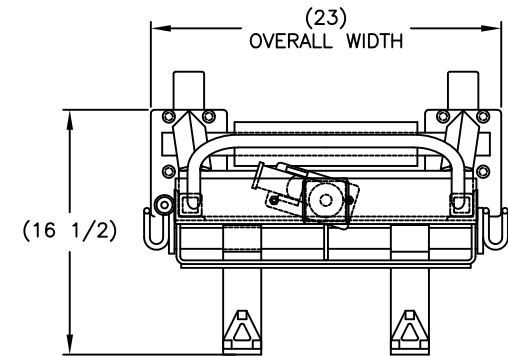
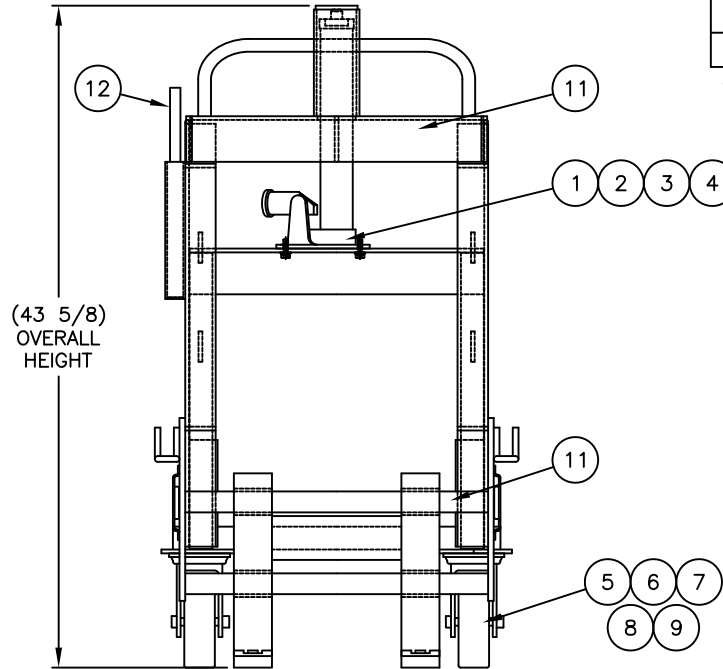
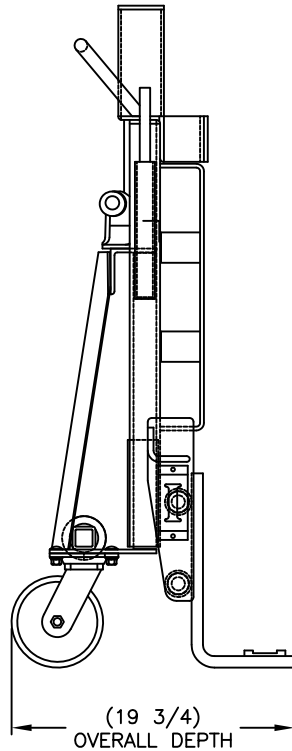
Model: **RNR-4P**
 Lift: 12"
 Casters: 6" X 2"
 Polyurethane
 Weight: 313 lbs/pair
 Capacity: 4,000 lbs/pair
 OD Fork Span Range: 5" to 19.5"

AFTER 2155XX SERIAL NUMBERS SEE PAGE 1
 BEFORE 2148XX SERIAL NUMBERS SEE PAGE 2

REPLACEMENT PARTS LIST

ITEM	P/N	DESCRIPTION	QTY
1	270426	JACK: 1 1/2 TON, 12" LIFT	2
2	108149	SCREW: HEX HD CAP (5/16-18X1)	4
3	100170	WASHER: LOCK 5/16 MED SPLIT	4
4	100069	WASHER: FLAT (PLTD) 5/16 SAE	4
5	108842	CASTER: SWIVEL 6x2-1/2" POLY	4
6	109642	BOLT: CARRIAGE 3/8-16X1"	16
7	108200	WASHER: FLAT (PLTD) 1/2" SAE	16
8	108228	WASHER: LOCK (PLTD) 1/2" MED	16
9	100366	NUT: HEX (PLTD) 1/2-13	16
10	106172	TUBING: FLEXO	2
11	106167	STRIP: RUBBER	2
12	051717	HANDLE: JACK (R-N-R)	1
*	051716	HANDLE: JACK (RNR-4/4P)	1
OPTION: LOAD BINDER ACCESSORY			
	260096	LB-1 LOAD BINDER SET W/ DELTA RINGS	1
	260147	LB-2 LOAD BINDER SET W/ "E" TRACK HOOKS	1

(* FOR UNITS MANUFACTURED BEFORE 02/2014)



THIS DRAWING IN ALL PARTICULARS IS WESCO INDUSTRIAL PRODUCTS, LLC PROPERTY. ALL RIGHTS OF DESIGN, INVENTION OR USE OF ARE RESERVED.

PRINT ISSUED

FEB 20, 2018

WESCO MANUFACTURING
ENGINEERING DEPARTMENT

REV. ECH & DATE	APP.	WESCO INDUSTRIAL PRODUCTS, LLC	
	REVISIONS	NORTH WALES PENNA. 19454	
		PART NAME	DRAWN: PS 7-25-00
		RNR-4P	CHECKED:
		TOLERANCE UNLESS OTHERWISE SPECIFIED	APP. ENGR.
	FRACTION 3 PLACE DECIMAL 2 PLACE DECIMAL	SCALE:	
	± 1/64 ± .005 ± .01		
	ANGULAR ± 1-1/2° SHEET 1 OF 2	C-260092	
	BREAK ALL SHARP EDGES AND REMOVE ALL BURRS	REV	

RNR MACHINERY MOVERS

Features:

- Heavy duty capacities up to 5 tons – the most economical way to lift and move large bulky loads.
- Swivel casters allow movement in any direction.
- Hand operated hydraulic jack for easy lifting and controlled lowering of loads.
- All models supplied with hooks for recommended optional LB-1 or LB-2 load binders.

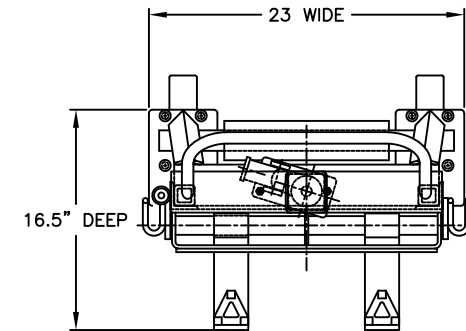
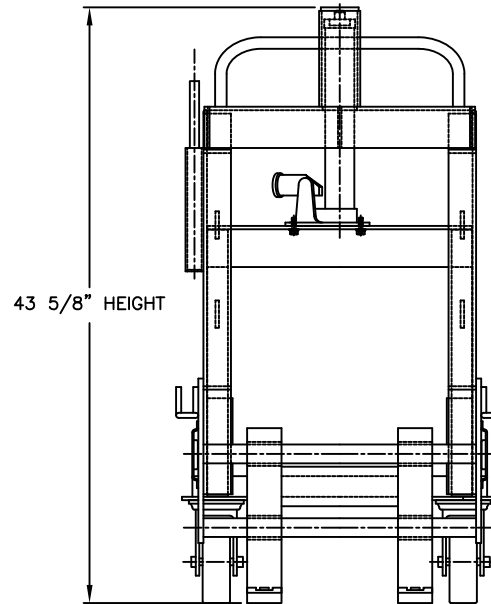
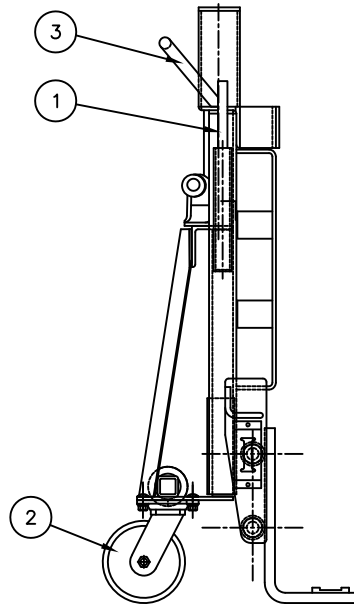
AFTER 2155XX SERIAL NUMBERS SEE PAGE 1
 BEFORE 2148XX SERIAL NUMBERS SEE PAGE 2

REPLACEMENT PARTS LIST

1	151116	JACK: 1 1/2 TON, 12" LIFT	2
2	108842	CASTER, 6" x 2" Urethane	4
3	051716	HANDLE: JACK (R-N-R)	2

Model: **RNR-4P**
 Lift: 12"
 Casters: 6" X 2"
 Urethane
 Weight: 313 lbs/PR
 Capacity: 4,000 lb per pair

OD fork span range: 5" to 19.5"



THIS DRAWING IN ALL PARTICULARS IS WESCO INDUSTRIAL PRODUCTS, LLC PROPERTY. ALL RIGHTS OF DESIGN, INVENTION OR USE OF ARE RESERVED.

PRINT ISSUED

DEC 29, 2004

WESCO MANUFACTURING
 ENGINEERING DEPARTMENT

REV. ECH & DATE	APP.	WESCO INDUSTRIAL PRODUCTS, LLC		APP.
	REVISIONS	NORTH WALES		PENNA. 19454
		PART NAME		DRAWN: PS 7-25-00
		RNR-4P		CHECKED:
	TOLERANCE UNLESS OTHERWISE SPECIFIED		APP. ENGR.	
	FRACTION	3 PLACE DECIMAL	2 PLACE DECIMAL	SCALE: 1" = 7"
	± 1/64	± .005	± .01	
	ANGULAR ± 1-1/2'	SHEET 2 OF 2		C-260092
	BREAK ALL SHARP EDGES AND REMOVE ALL BURRS			REV