

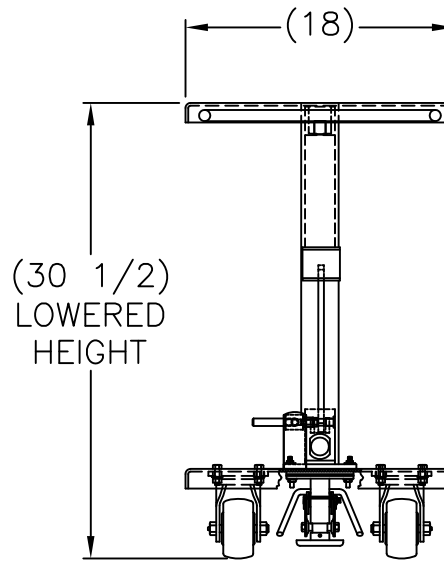
FOOT PUMP HYDRAULIC LIFT TABLES

- Capacity ranges from 200 to 6,000 lbs.
- Solid steel top and base construction.
- Floor locks are standard on all 500+ lbs capacity tables.
- Casters provide easy mobility.

STANDARD DUTY TABLES

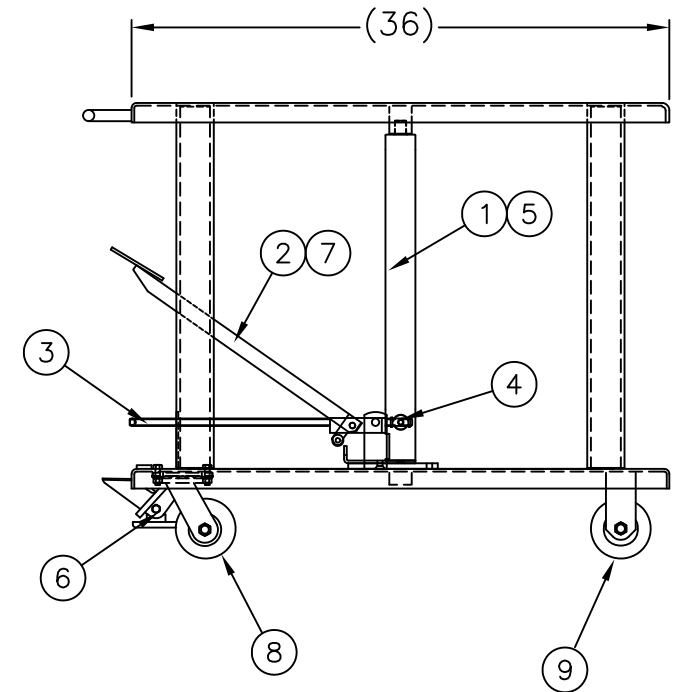
- LT-02-1616 has four 3" polyolefin swivel casters.
- LT-02-1616 ships viz UPS knocked down.
- LT-05/LT-10 models feature 2 rigid and 2 swivel 4" phenolic resin roller bearing casters.
- 7 gauge steel top and base.
- 3/8" lift per stroke.

| | |
|-----------------|---------------|
| P/N | 260061 |
| Model: | LT-10-1836 |
| Weight: | 168 lbs |
| Table Size: | 18" x 36" |
| Lowered Height: | 30.5" |
| Raised Height: | 47.5" |
| Support Posts: | Two |
| Caster Size: | 4" |
| Capacity: | 1,000 lbs |



| REPLACEMENT PARTS LIST | | | |
|------------------------|----------|---|------|
| ITEM | PART NO. | DESCRIPTION | QTY. |
| 1 | 270259 | KIT: JACK, LT-10/LTL-2436 | 1 |
| 2 | 050739 | KIT: FOOT PEDAL ASS'Y (18") | 1 |
| 3 | 050742 | KIT: RELIEF HANDLE ASS'Y (18") | 1 |
| 4 | 050754 | KIT: PUMPING RELEASE VALVE | 1 |
| * 5 | 052722 | KIT: SEAL KIT (FOR UNITS AFTER 3/97) | 1 |
| 6 | 150001 | FLOOR LOCK | 1 |
| 7 | 108316 | PEDAL RETURN SPRING | 1 |
| 8 | 054265 | CASTER: SWIVEL | 2 |
| 9 | VERIFY | WHEEL 053768 (OLD STYLE) CASTER 054271 (NEW STYLE) | 2 |

*SEAL KIT FOR UNITS PRIOR 3/97 NOT AVAILABLE



THIS DRAWING IN ALL PARTICULARS IS WESCO INDUSTRIAL PRODUCTS INC. PROPERTY. ALL RIGHTS OF DESIGN, INVENTION OR USE OF ARE RESERVED.

PRINT ISSUED

OCT 23, 2006

WESCO MANUFACTURING
ENGINEERING DEPARTMENT

| | | |
|------------|--|--------------------------------------|
| APP | WESCO INDUSTRIAL PRODUCTS INC. | |
| | NORTH WALES | PENNA. 19454 |
| ECN & DATE | PART NAME | LT-10-1836 |
| | DRAWN: | |
| | CHECKED: | |
| | APP. ENGR. | |
| REVISIONS | TOLERANCE UNLESS OTHERWISE SPECIFIED | |
| | FRACTION | 3 PLACE DECIMAL 2 PLACE DECIMAL |
| | ± 1/64 | ± .005 ± .01 |
| | ANGULAR ± 1-1/2' | SHEET 1 OF 1 |
| | BREAK ALL SHARP EDGES AND REMOVE ALL BURRS | |
| REV. | SCALE: C-260061 | |