

260032

REPLACEMENT PARTS LIST

56"/60" Stacker

1	260143	CHAIN ROLLER ASS'Y	1
2	050770	LIFT CHAIN ASS'Y (56/60")	1
3	108519	STABILIZER ROLLER	4
	051617	STABILIZER ROLLER KIT	
4	108517	PLATFORM ROLLER	4
5	053769	WHEEL: 5x2, PHENOLIC ASS'Y	2
6	054265	CASTER: SWIVEL 4x2 PHENOLIC	2
7	150001	FLOOR LOCK: NEW STYLE	1
8	051151	JACK ASS'Y (56/60")	1
	052723	SEAL KIT	1
	050750	PUMPING PEDAL ASS'Y (PL/SPL)	1
	050752	RELIEF PEDAL ASS'Y (PL/STCKR)	1
	050754	PUMPING RELEASE VALVE KIT	1
	050468	MAGNET SPACER ASS'Y	1

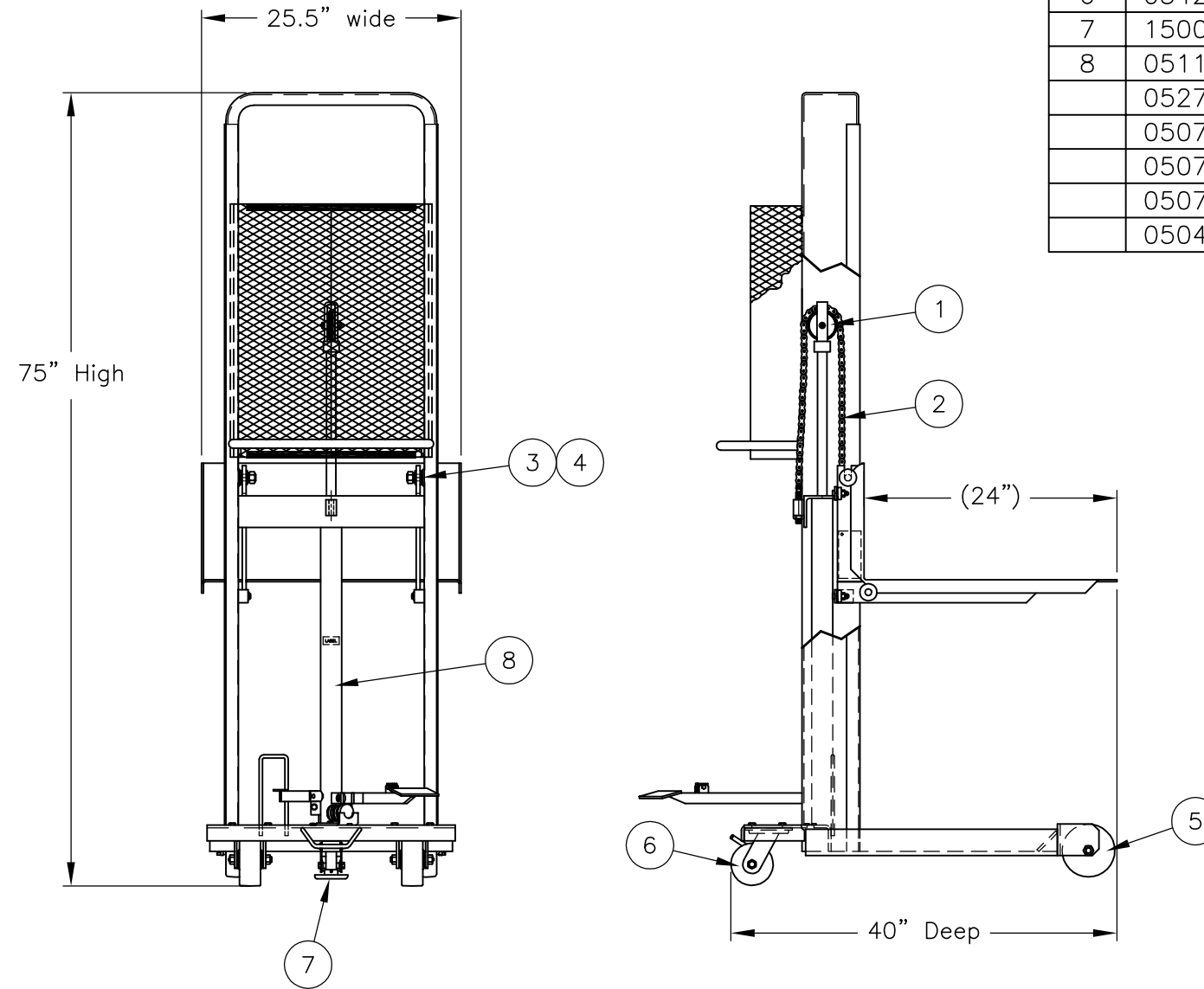
"S" STANDARD & "E" CONOMY LINE PLATFORM HYDRAULIC STACKERS

- Floor locks, safety screen and foot guard are standard on all models.
- Forks touch the floor on all fork models.
- Front phenolic wheels are 5" diameter.
- Rear Phenolic swivel casters are 4" diameter.
- Hydraulic jack manufactured by WESCO in U.S.A
- Frame and lift heights vary among models.
- "S" tandard line features one piece platform guide rail.
- "E" conomy line offers an economical price value.

STANDARD PLATFORM MODEL

260032 SPL-60-2424

Platform: 24x24 w/5.75" lowered height
 Lift Height: 60"
 Load Center: 15"
 Base leg span: 15" Inside
 21" Outside
 Weight: 233 lbs
 Capacity: 1,000 lbs
 Boxed: No



THIS DRAWING IN ALL PARTICULARS IS WESCO INDUSTRIAL PRODUCTS INC. PROPERTY. ALL RIGHTS OF DESIGN, INVENTION OR USE OF ARE RESERVED.

PRINT ISSUED

MAY 17, 2006

WESCO MANUFACTURING
ENGINEERING DEPARTMENT

WESCO INDUSTRIAL PRODUCTS INC.
LANSDALE PENNA. 19446

PART NAME		DRAWN:	
SPL-60-2424		CHECKED:	
TOLERANCE UNLESS OTHERWISE SPECIFIED		APP. ENGR.	
FRACTION	3 PLACE DECIMAL	2 PLACE DECIMAL	SCALE: 1" = 16"
± 1/64	± .005	± .01	B- 260032 REV
ANGULAR ± 1-1/2'	SHEET 1	OF 1	
BREAK ALL SHARP EDGES AND REMOVE ALL BURRS			

APP
ECN & DATE
REV.

REVISIONS