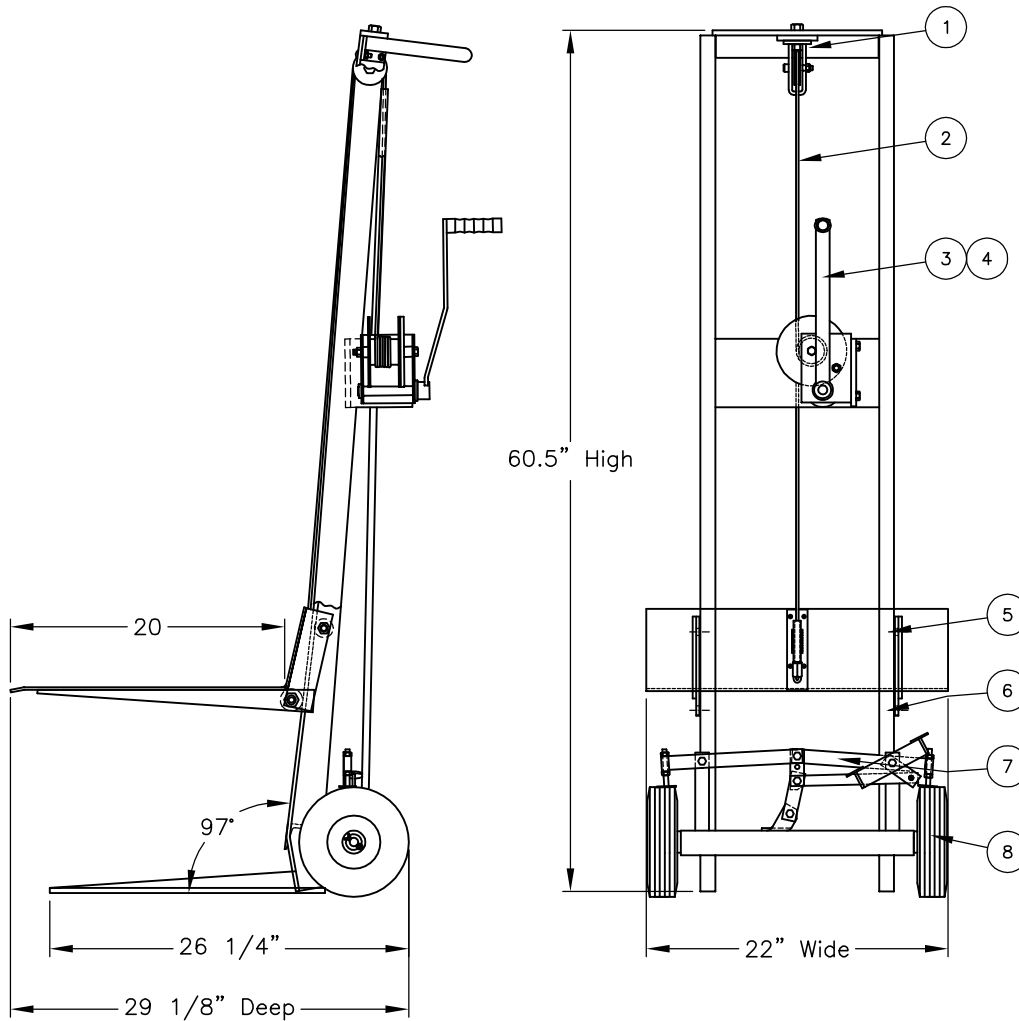


Replacement Parts List

1	054133	ASS'Y: SHEAVE	1
2	053508	ASS'Y: CABLE (54" Lift Cable)	1
3	151294	WINCH COMPLETE (3 MOUNTING HOLES)	1
	108504	WINCH COMPLETE (2 MNT'G HOLES PRE-1996)	1
4	260145	KIT: WINCH PULLEY (Mag. Pdlift)	1
5	101218	CAM: FOLLOWER MCGIL #CF 1.375	2
6	108517	ROLLER: PLATFORM MAG.	2
7	260079	KIT: WHEEL LOCK "FOOT STYLE" (Mag. PL-40/54)	1
	260072	KIT: WHEEL LOCK "HANDLE STYLE" (PL- 54)	1
8	108545	WHEEL: "R" 8 x 1-5/8 MOR/AC	2



MAGNESIUM FRAME PEDALIFTS

- Magnesium construction for lightweight ruggedness.
- 20"D X 22"W platform size.
- Wheel locks are standard on all models.
- Front of platform touches the floor.
- Frame and lift heights vary among models.

TWO WHEELED WINCH

- Auto-brake designed winch raises and lowers by turning handle, no catches to lock or release.
- Light weight minimizes the effort required for moving and lifting
- Wheel lock standard.

Specification: 8 x 2 wheels with .75" ball bearings.

P/N 260026

Model: WMPL-54-2022
 Lift Height: 54"
 Weight: 60 lbs
 Capacity: 400 lbs
 Boxed: No

THIS DRAWING IN ALL PARTICULARS IS WESCO INDUSTRIAL PRODUCTS INC. PROPERTY. ALL RIGHTS OF DESIGN, INVENTION OR USE OF ARE RESERVED.

PRINT ISSUED

MAY 17, 2006

WESCO MANUFACTURING
 ENGINEERING DEPARTMENT

REV.	ECH & DATE	REVISONS	WESCO INDUSTRIAL PRODUCTS INC.		SCALE: 1" = 7"
			LANSDALE PENNA. 19446		
			PART NAME	DRAWING	
			WAMPL-54-2022	KL 09-21-01	
TOLERANCE UNLESS OTHERWISE SPECIFIED			APP. ENGR.	C-260026	REV
FRACTION	3 PLACE DECIMAL	2 PLACE DECIMAL	SHEET 1 OF 1		
± 1/64	± .005	± .01			
ANGULAR ± 1-1/2°					
BREAK ALL SHARP EDGES AND REMOVE ALL BURRS					