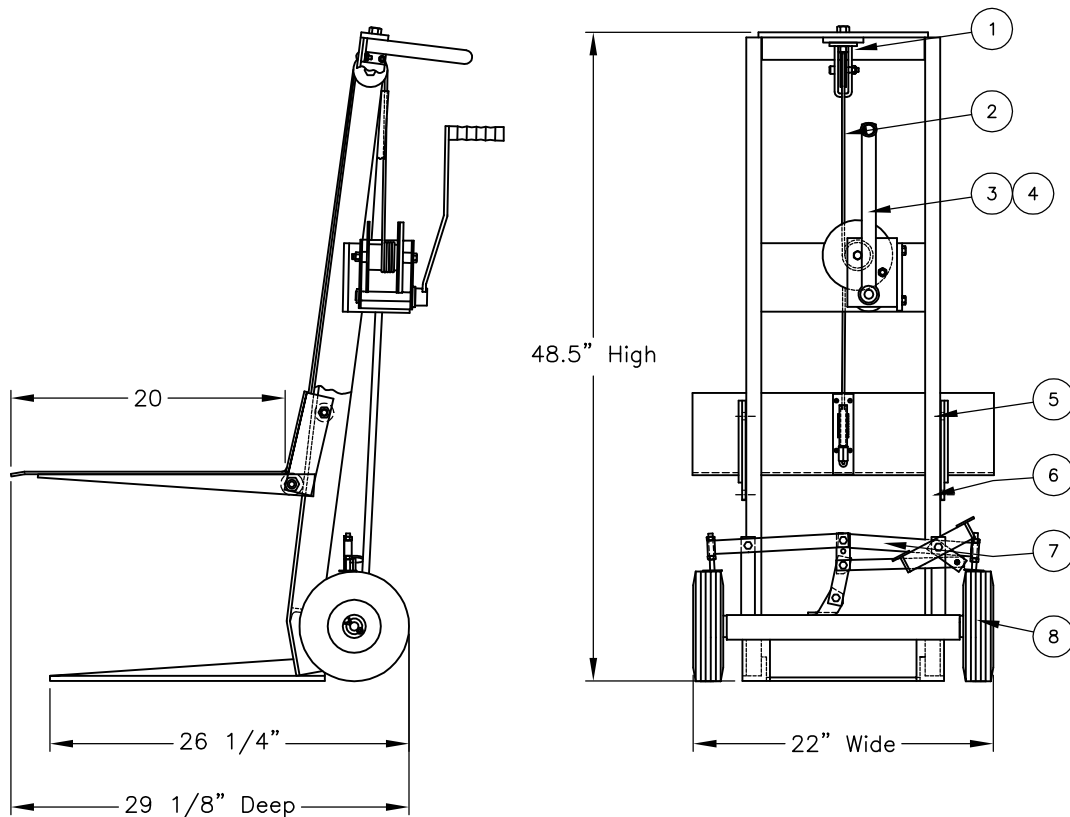


## Replacement Parts List

1	054133	ASS'Y: SHEAVE	1
2	053513	ASS'Y: CABLE (40" Lift Cable)	1
3	151294	WINCH COMPLETE (3 MOUNTING HOLES)	1
	108504	WINCH COMPLETE (2 MNT'G HOLES PRE-1996)	1
4	260145	KIT: WINCH PULLEY (Mag. Pdlift)	1
5	101218	CAM: FOLLOWER MCGIL #CF 1.375	2
6	108517	ROLLER: PLATFORM MAG.	2
7	260079	KIT: WHEEL LOCK "FOOT STYLE" (Mag. PL-40/54)	1
	260071	KIT: WHEEL LOCK "HANDLE STYLE" (PL- 40)	1
8	108545	WHEEL: "R" 8 x 1-5/8 MOR/AC	2



## MAGNESIUM FRAME PEDALIFTS

- Magnesium construction for lightweight ruggedness.
- 20"D X 22"W platform size.
- Wheel locks are standard on all models.
- Front of platform touches the floor.
- Frame and lift heights vary among models.

## TWO WHEELED WINCH

- Auto-brake designed winch raises and lowers by turning handle, no catches to lock or release.
- Light weight minimizes the effort required for moving and lifting
- Wheel lock standard.

P/N 260025

Model: WMPL-40-2022  
 Lift Height: 40"  
 Weight: 53 lbs  
 Capacity: 400 lbs  
 Boxed: No

THIS DRAWING IN ALL PARTICULARS IS WESCO INDUSTRIAL PRODUCTS INC. PROPERTY. ALL RIGHTS OF DESIGN, INVENTION OR USE OF ARE RESERVED.

PRINT ISSUED

MAY 17, 2006

WESCO MANUFACTURING  
ENGINEERING DEPARTMENT

WESCO INDUSTRIAL PRODUCTS INC.		LANSDALE		PENNA. 19446	
PART NAME		WMPL-40-2022		DRAWING: KL 09-21-01	
CHECKED		PS		09-21-01	
APP. ENGR.					
TOLERANCE UNLESS OTHERWISE SPECIFIED					
FRACTION		3 PLACE DECIMAL		2 PLACE DECIMAL	
± 1/64		± .005		± .01	
ANGULAR ± 1-1/2'		SHEET 1		OF 1	
BREAK ALL SHARP EDGES AND REMOVE ALL BURRS					
				SCALE: 1" = 7"	
				C-260025	

REV. ECH &amp; DATE

REVISIONS

REV