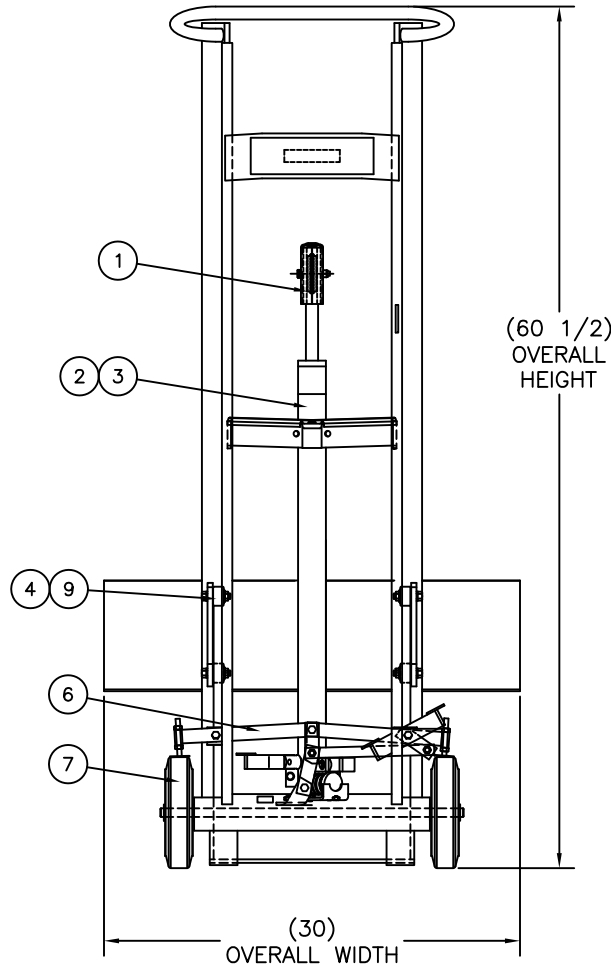
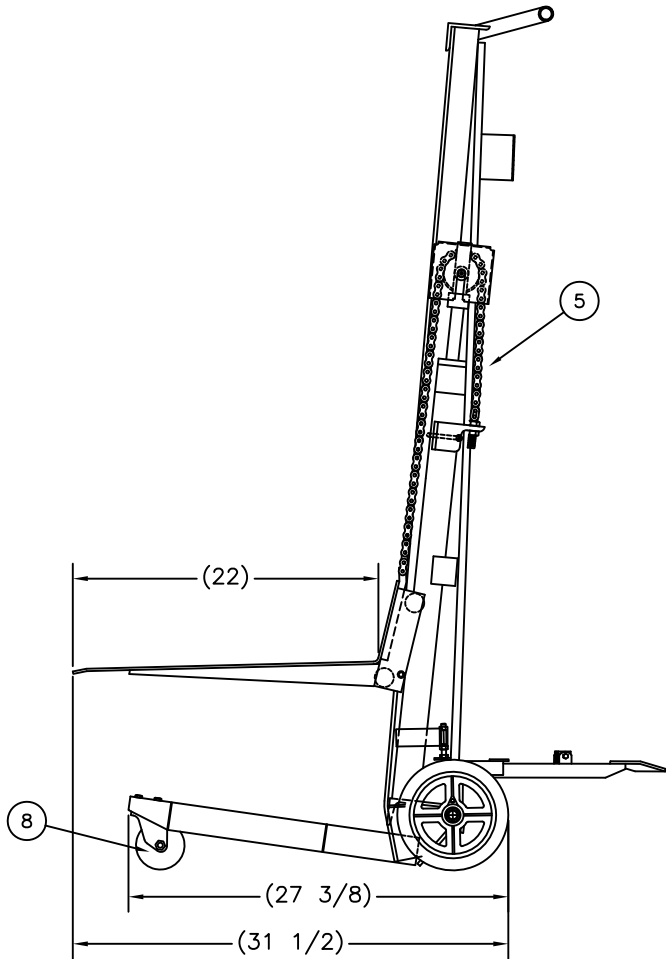
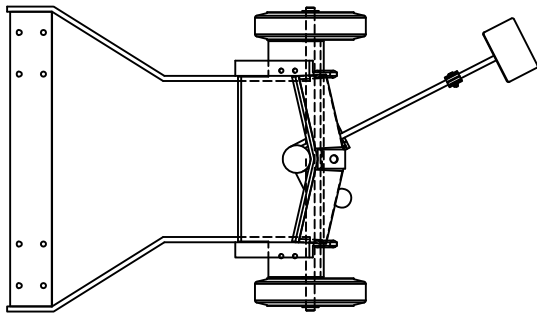


260010



REPLACEMENT PARTS LIST

ITEM	PART NO.	DESCRIPTION	QTY.
1	260143	ROLLER CARRIER ASSEMBLY	1
2	051159	JACK ASSEMBLY (54")	1
3	052722	SEAL KIT	1
4	108501	ROLLER: PLATFORM	4
5	050769	LIFT CHAIN ASSEMBLY	1
6	260072	KIT: WHEEL LOCK "HANDLE STYLE" (PL-40 PRE-10/1996)	1
	260080	KIT: WHEEL LOCK "FOOT STYLE" (PL-40/54)	1
7	052868	WHEEL: "H1" 8 X 2 MOR/AC	2
8	108303	CASTER: SWIVEL 3-1/2X1-1/4" (DPL)	2
9	051813	KIT: PLATFORM ROLLER W/ HARDWARE	4

STEEL FRAME PEDALIFTS

- Wheel locks are standard on all models.
- Frame and lift heights vary among models.

Four Wheeled Hydraulic Models

- Foot operated hydraulic pump raises platform, foot release lowers platform.
- Platform sit 5.75" above the floor.
- Wheel lock standard.

260010

Model: DPL-54-2230  
 Lift Height: 54"  
 Platform: 22"D X 30"W  
 Weight: 172 lb.  
 Capacity: 750 lb.  
 O.A.H 60.5" High  
 O.A.W 22.5" Wide

THIS DRAWING IN ALL PARTICULARS IS WESCO MFG. CO. PROPERTY. ALL RIGHTS OF DESIGN, INVENTION OR USE OF ARE RESERVED.

PRINT ISSUED

JUN 04 2002

WESCO MANUFACTURING  
 ENGINEERING DEPARTMENT

REV.	APP	WESCO MANUFACTURING CO. NORTH WALES PENNA. 19454					
	EDN & DATE REVISIONS	PART NAME DPL-54-2230 (PEDA-LIFT)	DRAWN:				
		TOLERANCE UNLESS OTHERWISE SPECIFIED	CHECKED:				
		<table border="1"> <tr> <td>FRACTION</td> <td>3 PLACE DECIMAL</td> <td>2 PLACE DECIMAL</td> </tr> <tr> <td>± 1/64</td> <td>± .005</td> <td>± .01</td> </tr> </table>	FRACTION	3 PLACE DECIMAL	2 PLACE DECIMAL	± 1/64	± .005
FRACTION	3 PLACE DECIMAL	2 PLACE DECIMAL					
± 1/64	± .005	± .01					
<table border="1"> <tr> <td>ANGULAR ± 1-1/2'</td> <td>SHEET 1 OF 1</td> </tr> </table>	ANGULAR ± 1-1/2'	SHEET 1 OF 1	SCALE:				
ANGULAR ± 1-1/2'	SHEET 1 OF 1						
		C-260010	REV				