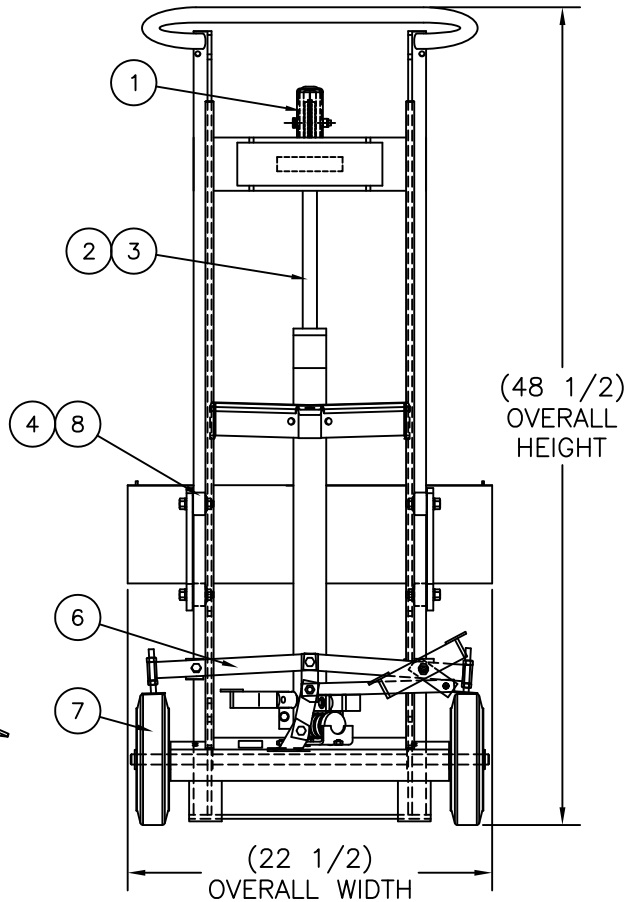
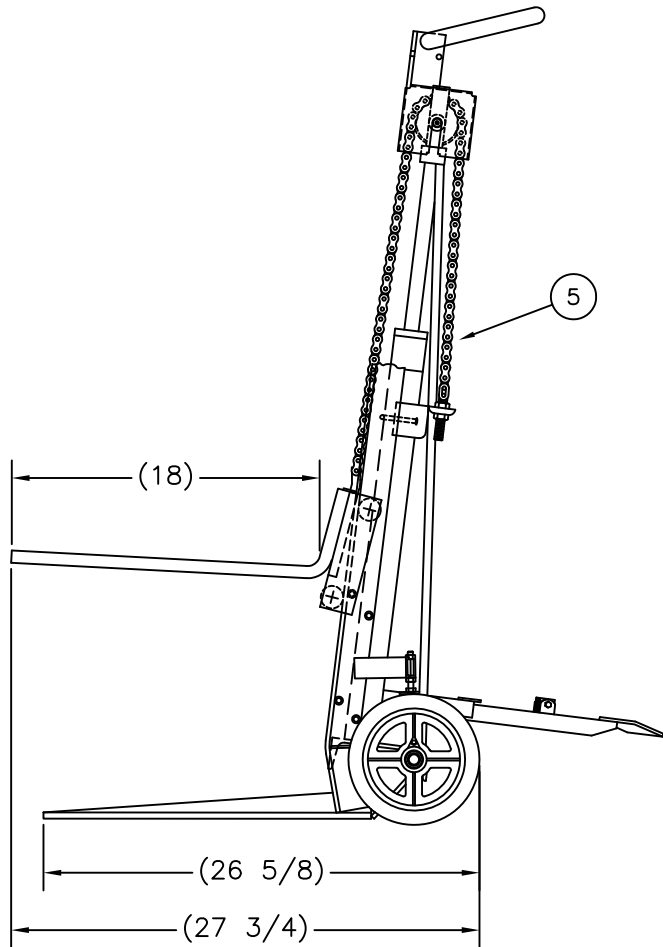


REPLACEMENT PARTS LIST			
ITEM	PART NO.	DESCRIPTION	QTY.
1	260143	ROLLER CARRIER ASSEMBLY	1
2	051160	JACK ASSEMBLY (40")	1
3	052722	SEAL KIT	1
4	108501	ROLLER: PLATFORM	4
5	050768	LIFT CHAIN ASSEMBLY	1
6	N/A	KIT: WHEEL LOCK "HANDLE STYLE" (PL-40 PRE-10/1996)	1
	260080	KIT: WHEEL LOCK "FOOT STYLE" (PL-40/54)	1
7	052868	WHEEL: "H1" 8 X 2 MOR/AC	2
8	051813	KIT: PLATFORM ROLLER W/ HARDWARE	4



STEEL FRAME PEDALIFTS

- Wheel locks are standard on all models.
- Frame and lift heights vary among models.
- Adjustable fork widths from 6.5" to 21.75" wide
- Adjustable fork widths outer dimensions are 6-1/2" to 21-3/4" wide

Two Wheeled Hydraulic Models

- Front tip of nose plate touches floor.
- Foot operated hydraulic pump raises platform foot release lowers platform.
- Wheel lock standard.

P/N 260006
 Model: PL-40-F
 Lift Height: 40"
 Fork: 18"D X 3"W
 Weight: 131 lb.
 Capacity: 750 lb.
 O.A.H: 48.5" High
 O.A.W: 22.5" Wide
 Boxed: No
 Load Center: 10"

THIS DRAWING IN ALL PARTICULARS IS WESCO MFG. CO. PROPERTY. ALL RIGHTS OF DESIGN, INVENTION OR USE OF ARE RESERVED.

PRINT ISSUED

JUN 04 2002

WESCO MANUFACTURING
 ENGINEERING DEPARTMENT

APP REV. & DATE REVISIONS	WESCO MANUFACTURING CO. NORTH WALES PENNA. 19454	
	PART NAME PL-40-F (PEDA-LIFT)	DRAWN: LDU 12-7-00
	TOLERANCE UNLESS OTHERWISE SPECIFIED	APP. ENGR.
	FRACTION 3 PLACE DECIMAL 2 PLACE DECIMAL ± 1/64 ± .005 ± .01	SCALE:
ANGULAR ± 1-1/2"	SHEET 1 OF 1	C-260006 REV
BREAK ALL SHARP EDGES AND REMOVE ALL BURRS		