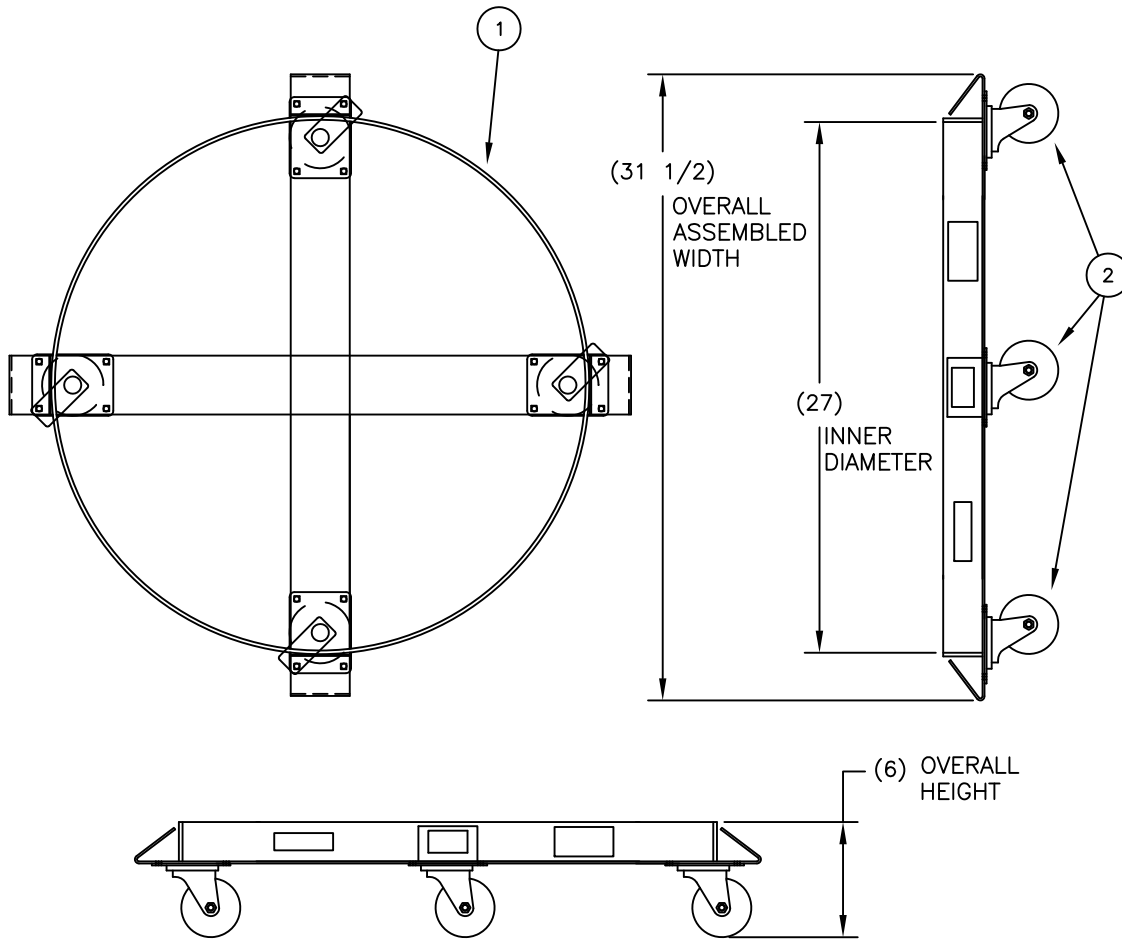


240198

REPLACEMENT PARTS LIST

1	170775	85GAL STAINLESS DOLLY	1
2	055249	CASTER SET: 3" HR W/ ZINC RIG	1



STAINLESS STEEL DRUM DOLLIES

- Superior design places drum chime over caster kingpin for greater load stability and long cater life.
- All welded 304 stainless steel frame construction with reinforced outriggers.
- Four bolt on 3" swivel casters.
- I.D. varies among models.
- Model available for 30, 55, and 85 gallon drums.

P/N 240198

Model: SS8-HRZ
 Capacity: 900 lbs
 Weight: 27 lbs
 Unit I.D: 27"
 Drum size: 85 gal.
 Caster Type: Hard Rubber
 Rig Type: Zinc Plate
 Box: Yes

THIS DRAWING IN ALL PARTICULARS IS WESCO INDUSTRIAL PRODUCTS INC. PROPERTY. ALL RIGHTS OF DESIGN, INVENTION OR USE OF ARE RESERVED.

PRINT ISSUED
 NOV. 15, 2006
 WESCO MANUFACTURING
 ENGINEERING DEPARTMENT

R	W	S	APP
11-09-12	UPDATED PARTS LIST		
	ECN & DATE		
A	REV.		

REVISIONS

WESCO INDUSTRIAL PRODUCTS INC.

NORTH WALES

PENNA. 19454

PART NAME		SS8-HRZ DRUM DOLLIES		DRAWN:	
				CHECKED:	
				APP. ENGR.	
TOLERANCE UNLESS OTHERWISE SPECIFIED				SCALE: 1" = 8"	
FRACTION	3 PLACE DECIMAL	2 PLACE DECIMAL			
± 1/64	± .005	± .01			
ANGULAR ± 1-1/2°	SHEET 1	OF 1		A-240198	
BREAK ALL SHARP EDGES AND REMOVE ALL BURRS				REV	A