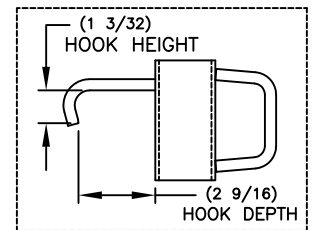
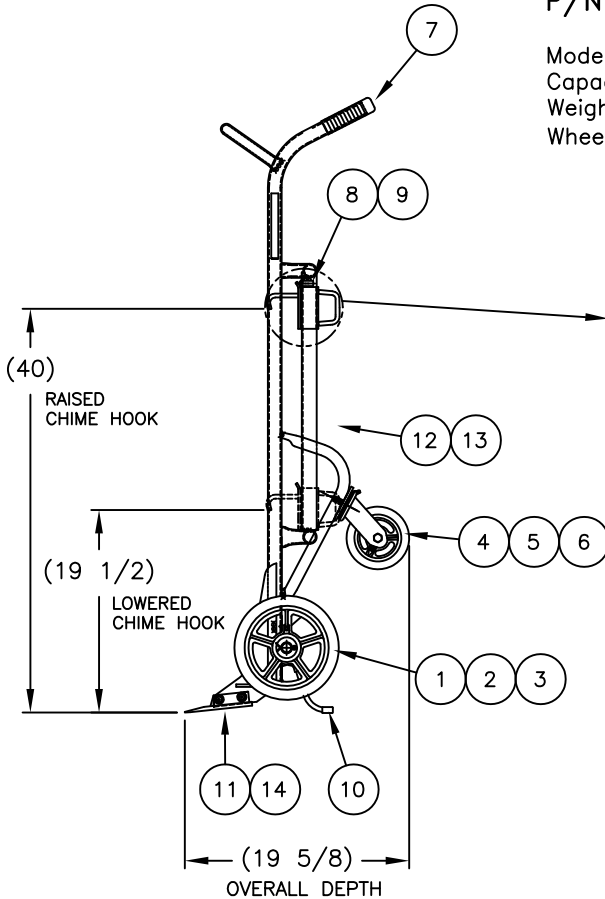
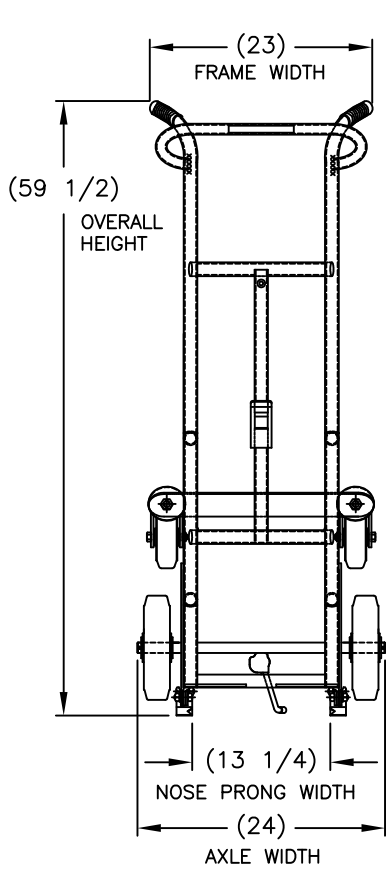


240121



P/N 240121  
 Model: 15BTC  
 Capacity: 1,000 lbs  
 Weight: 79 lbs  
 Wheel: 10" x 2-1/2" Moldon Rubber

REPLACEMENT PARTS LIST

1	150596	WHEEL: "BT-1" 10 X 2.5"	2
2	108208	WASHER: FLAT 1" SAE	4
3	108218	COTTER PIN 3/16 X 1.5"	2
4	054268	CASTER: SWIV. 6 X 2, ASS'Y	2
5	108317	LOCK WASHER 3/4 (PLTD)	2
6	108853	HEX NUT 3/4-10 (PLTD)	2
7	108433	HANDGRIP: YELLOW 1-1/4"	2
8	105312	BALL PLUNGER	1
9	150018	RETAINER: TOOTHLESS	1
10	109632	KICKSTAND (15/30BT)	1
11	240060	SET: NOSE PRONG	1
12	051348	DRUM HOOK (15/20BT)	1
13	051354	ASS'Y: RET'NER SPRING PIN USED TILL 08-08-03	1
14	051355	SET: HARDWARE, NOSEPRONG	1

DRUM TRUCK Features:

- Industrial strength heavy duty 1" structural pipe frames.
- All joints double welded.
- High quality cast iron center moldon rubber wheel with 1" (ID) roller bearings.
- Polyolefin wheel is cost competitive and resistant to most environments that may damage rubber wheels.
- All trucks can be stored standing upright.
- Engineered to handle 55 gallon steel drum.
- capacity: 1,000 lbs.

15BTC Ergonomic Features:

- Ergonomic swivel caster design reduces operator muscle strain and fatigue.
- Swivel casters allow for smooth and tight turns in narrow work areas, such as truck beds and loading docks.
- Not recommended for loading and unloading pallets
- 16.25" at nose
- Kickstand.
- Replaceable hard faced double beveled nose prongs.
- With wheels resting on floor, 20.5" to center of lowered chime hook.

PRINT ISSUED

NOV. 10, 2006

WESCO MANUFACTURING  
 ENGINEERING DEPARTMENT

R W S  
 10-22-12  
 APP  
 C UPDATED  
 REV.

EDN & DATE  
 REVISIONS

**WESCO INDUSTRIAL PRODUCTS INC.**  
 NORTH WALES PENNA. 19454

PART NAME: **15BTC DRUM TRUCKS**  
 DRAWN: LDU 8-9-00  
 CHECKED:  
 APP. ENGR.  
 SCALE: 1" = 12"  
**B- 240121**

TOLERANCE UNLESS OTHERWISE SPECIFIED  
 FRACTION 3 PLACE DECIMAL 2 PLACE DECIMAL  
 ± 1/64 ± .005 ± .01  
 ANGULAR ± 1-1/2" SHEET 1 OF 1  
 BREAK ALL SHARP EDGES AND REMOVE ALL BURRS