

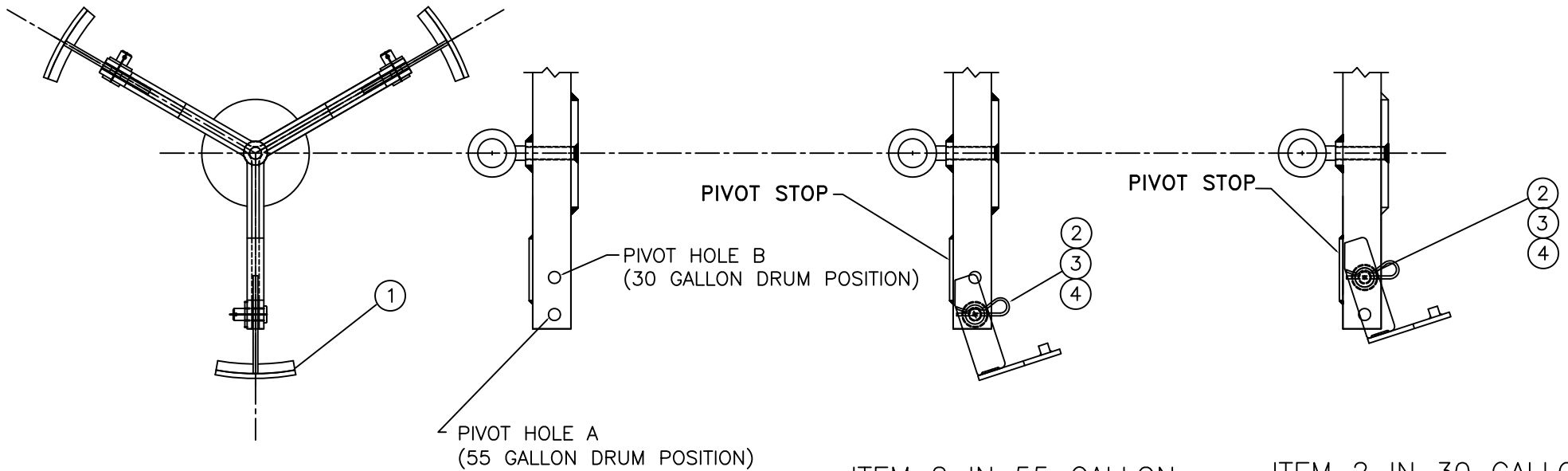
UNIVERSAL DRUM LIFTER

- Design allows for the loading of drums into overpacks.
- Works on open and closed head drums..
- For use with standard steel or poly drums with at least 3/16" chime.
- Lifting arms are adjustable to work with most 55 or 30 gallon drums.
- Three-point contact of the lifting arms prevents or minimizes deformation of the drum and provides more secure lifting.

P/N 240062  
 Model UDL  
 Capacity 1,000 lbs  
 Weight 16.5 lbs  
 Boxed YES

REPLACEMENT PARTS LIST

ITEM	PART NO.	DESCRIPTION	QTY.
1	055833	WELDMNT: LIFTER ARM	3
2	101136	PIN	3
3	101143	PIN: HAIR	3
4	100051	WASHER	3



ITEM 2 IN 55 GALLON  
 DRUM POSITION  
 PIVOT HOLE A

ITEM 2 IN 30 GALLON  
 DRUM POSITION  
 PIVOT HOLE B

THIS DRAWING IN ALL PARTICULARS IS WESCO INDUSTRIAL PRODUCTS INC. PROPERTY. ALL RIGHTS OF DESIGN, INVENTION OR USE OF ARE RESERVED.

PRINT ISSUED

MAR-05-2012

WESCO MANUFACTURING  
 ENGINEERING DEPARTMENT

12-04-12	R	W	S	APP
12-04-12	UPDATED			
A	REV.			

<b>WESCO INDUSTRIAL PRODUCTS INC.</b> NORTH WALES PENNA. 19454	
PART NAME UDL (DRUM LIFTERS SERIES)	DRAWN: DR 03-05-12 APP. ENGR.
TOLERANCE UNLESS OTHERWISE SPECIFIED	
FRACTION 3 PLACE DECIMAL 2 PLACE DECIMAL ± 1/64 ± .005 ± .01	SCALE: 1" = 1"
ANGULAR ± 1-1/2° SHEET 1 OF 1 BREAK ALL SHARP EDGES AND REMOVE ALL BURRS	C-240062 REV A