

REPLACEMENT PARTS LIST			
1	053995	WELDMENT: FRAME	1
2	052974	WELDMENT: HANDLE CLAMP	2
* 3	150274	BOX: 28-1/4 X 8-1/2 X 24"	1

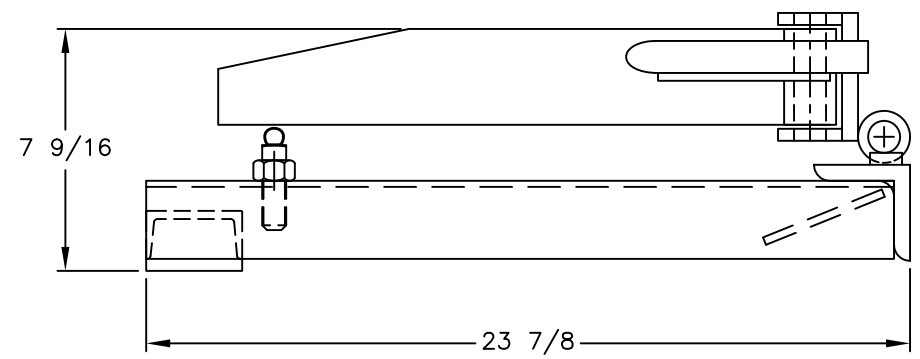
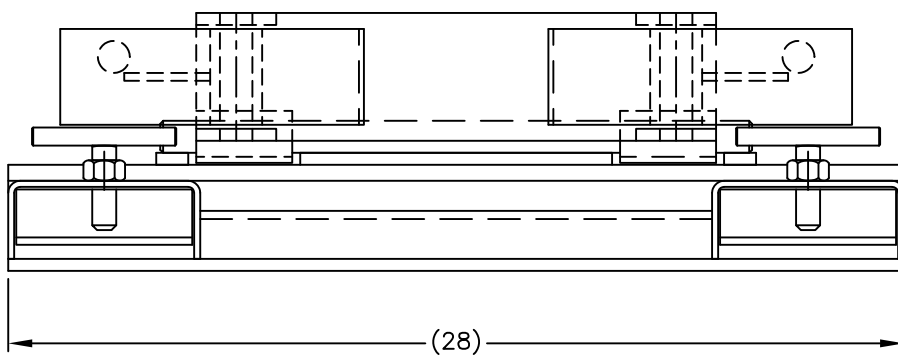
* NOT SHOWN

DRUM GRABS for 55 Gallon Stl. Drums

- All welded steel construction for durability.
- Cost effective way to move 55 gallon steel drums.

P/N **240048**

Model DJ-55
 Capacity 1,500 lbs/Drum
 Handles One 55 gallon
 Fork Pocket ID 5.5" x 2"
 Weight: 145 lbs
 Boxed YES



THIS DRAWING IN ALL PARTICULARS IS WESCO INDUSTRIAL PRODUCTS INC. PROPERTY. ALL RIGHTS OF DESIGN, INVENTION OR USE OF ARE RESERVED.

PRINT ISSUED
 JUN 13 2007
 WESCO MANUFACTURING
 ENGINEERING DEPARTMENT

REV.	DATE	BY	APP.
F	12-19-12	RWS	
	UPDATED ADDRESS		

WESCO INDUSTRIAL PRODUCTS INC. NORTH WALES PENNA. 19454		DRAWN: RLC 05-06-85	
		PART NAME: DJ-55	
TOLERANCE UNLESS OTHERWISE SPECIFIED FRACTION 3 PLACE DECIMAL 2 PLACE DECIMAL ± 1/64 ± .005 ± .01		SCALE: 3" = 1" APP. ENGR.	
ANGULAR ± 1-1/2° SHEET 1 OF 1 BREAK ALL SHARP EDGES AND REMOVE ALL BURRS		C-240048 REV F	