

REPLACEMENT PARTS LIST

1	053398	WELDMENT; BASE, SOLID DRUM DOLLY	1
2	108447	CASTER	4
	108186	SCREW; CARRIAGE, 1/4-20 X 3/4	16
	150267	KEPS NUT; 1/4-20	16
	108425	WASHER; FIBER 5/16 I.D. X 9/16 O.D.	16
* 3	108265	BOX: DRUM DOLLY	1

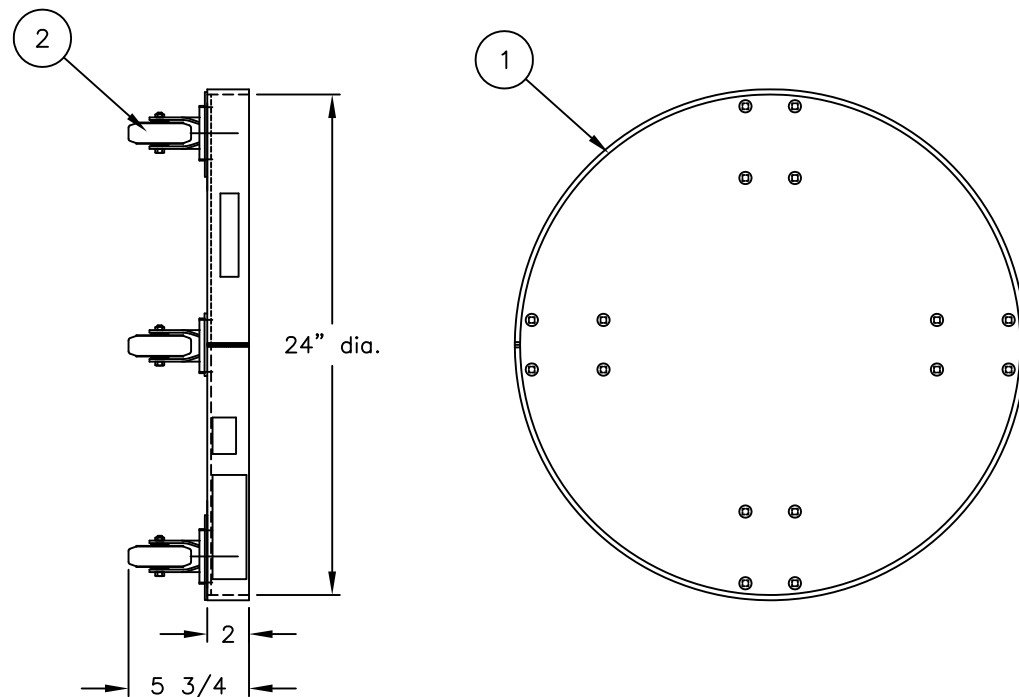
* NOT SHOWN

SPECIALTY DOLLIES

- Polyolefin caster 3" X 1-1/4".
- Steel or aluminum designs.

P/N 240043

Model: RASD
 Capacity: 900 lbs
 Weight: 20 lbs
 Unit I.D.: 24" Round
 Drum size: up to 55 gal.
 Caster Type: 4 Swivel
 Material: Aluminum
 Box: Yes



THIS DRAWING IN ALL PARTICULARS IS WESCO INDUSTRIAL PRODUCTS INC. PROPERTY. ALL RIGHTS OF DESIGN, INVENTION OR USE OF ARE RESERVED.

PRINT ISSUED
 OCT 13, 2003
 WESCO MANUFACTURING
 ENGINEERING DEPARTMENT

REV.	EON & DATE	REVISIONS	APP	
			WESCO INDUSTRIAL PRODUCTS INC. NORTH WALES PENNA. 19454	
			PART NAME ALUM. RND. DOLLY W/SOLID BOTTOM	
			DRAWN: CHECKED: APP. ENGR.	
TOLERANCE UNLESS OTHERWISE SPECIFIED			SCALE: 1" = 6"	
FRACTION		3 PLACE DECIMAL	2 PLACE DECIMAL	B- 240043
± 1/64		± .005	± .01	
ANGULAR ± 1-1/2'		SHEET 1 OF 1	REV A	
BREAK ALL SHARP EDGES AND REMOVE ALL BURRS				