

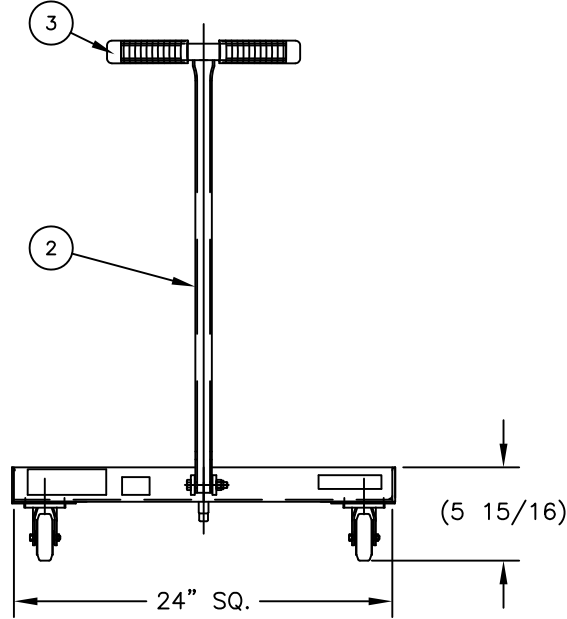
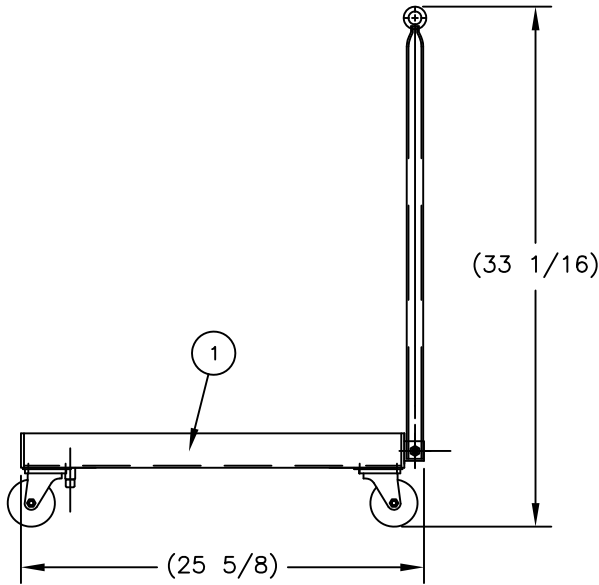
240040

REPLACEMENT PARTS LIST

1	053388	WELDMNT: BASE, SOLID BOT'M	1
2	053390	WELDMENT: HANDLE	1
	101129	SCR: HEX 3/8-16 x 2-1/4"	1
	108180	NUT: LOCK HEX 3/8-16	1
	125830	PLUG: PIPE, STL. 1/2" I.P.S	1
3	108226	HANDGRIP: 1" BLACK	2
* 4	108265	BOX: DRUM DOLLY (D5-HR)	1

*

* NOT SHOWN



SPECIALTY DOLLIES

- Polyolefin caster 3" X 1-1/4".
- Steel or aluminum designs.

P/N 240040

Model: SSD
 Capacity: 900 lbs
 Weight: 47 lbs
 Unit I.D: 23.625" Square
 Drum size: up to 55 gal.
 Caster Type: 4 Swivel
 Material: Steel
 Box: Yes

THIS DRAWING IN ALL PARTICULARS IS WESCO INDUSTRIAL PRODUCTS INC. PROPERTY. ALL RIGHTS OF DESIGN, INVENTION OR USE OF ARE RESERVED.

PRINT ISSUED

NOV. 15, 2006

WESCO MANUFACTURING
 ENGINEERING DEPARTMENT

APP
 ECN & DATE
 REVISIONS
 REV.

WESCO INDUSTRIAL PRODUCTS INC.

NORTH WALES

PENNA. 19454

PART NAME
SQUARE STEEL DOLLY
W/SOLID BOTTOM

DRAWN:
 CHECKED:
 APP. ENGR.

TOLERANCE UNLESS OTHERWISE SPECIFIED
 FRACTION 3 PLACE DECIMAL 2 PLACE DECIMAL
 ± 1/64 ± .005 ± .01

SCALE: 1" = 10"

ANGULAR ± 1-1/2" SHEET 1 OF 1

A- 240040 REV **B**

BREAK ALL SHARP EDGES AND REMOVE ALL BURRS