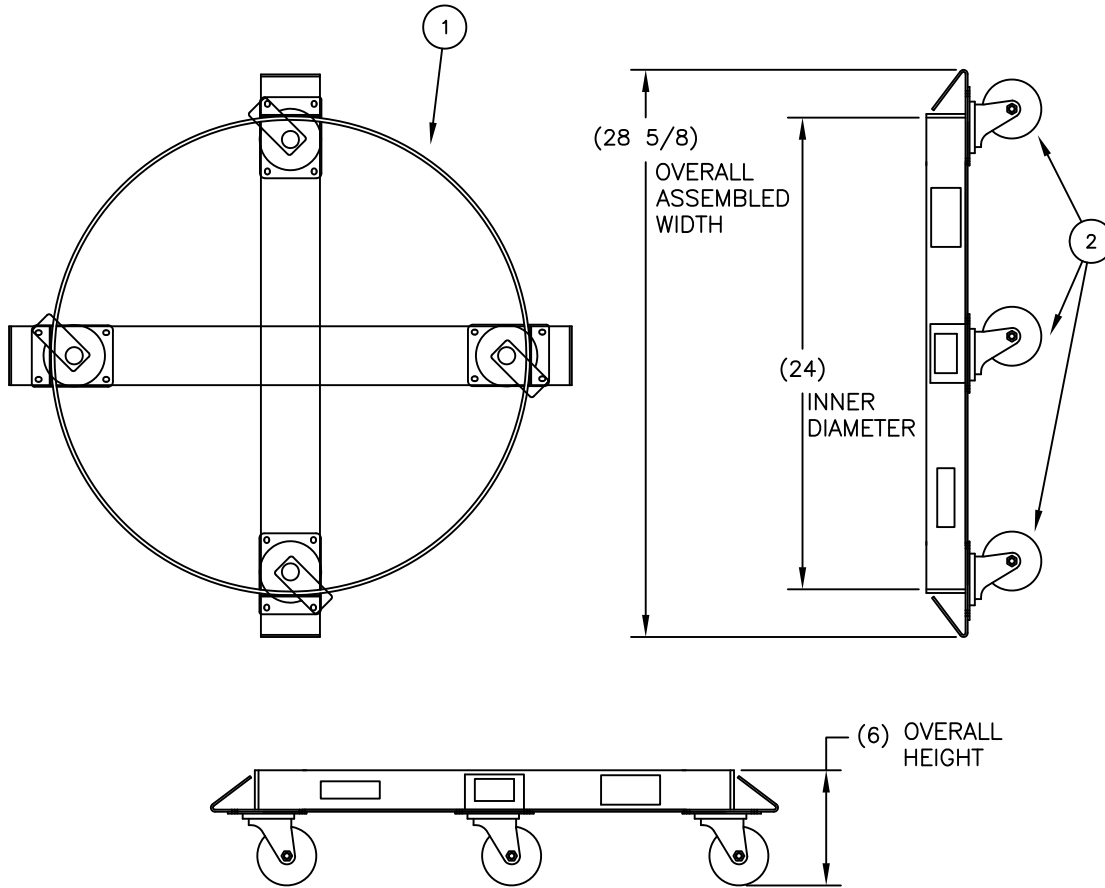


240031

REPLACEMENT PARTS LIST

1	053383	WELDMENT: DOLLY (D5)	1
2	055249	CASTER: SET 3" HR W/ ZINC RIG	1



STEEL DRUM DOLLIES

- Superior design places drum chime over caster kingpin for greater load stability and long cater life.
- All welded steel frame construction with reinforced outriggers.
- Four bolt on 3" swivel casters.
- I.D. varies among models.
- Model available for 30, 55, and 85 gallon drums.

P/N 240031

Model: D5-HR
 Capacity: 900 lbs
 Weight: 22 lbs
 Unit I.D.: 24"
 Drum size: 55 gal.
 Caster Type: Hard Rubber
 Box: Yes

THIS DRAWING IN ALL PARTICULARS IS WESCO INDUSTRIAL PRODUCTS INC. PROPERTY. ALL RIGHTS OF DESIGN, INVENTION OR USE OF ARE RESERVED.

<p>PRINT ISSUED</p> <p>NOV. 15, 2006</p> <p>WESCO MANUFACTURING ENGINEERING DEPARTMENT</p>	R	W	S	APP	<p>WESCO INDUSTRIAL PRODUCTS INC.</p> <p>NORTH WALES PENNA. 19454</p>								
	11-08-12	UPDATED PARTS LIST	ECN & DATE	REVISIONS		<p>PART NAME</p> <p>D5-HR</p> <p>DRUM DOLLIES</p>	DRAWN:						
	C	REV.				<p>TOLERANCE UNLESS OTHERWISE SPECIFIED</p> <table border="1"> <tr> <td>FRACTION</td> <td>3 PLACE DECIMAL</td> <td>2 PLACE DECIMAL</td> </tr> <tr> <td>$\pm 1/64$</td> <td>$\pm .005$</td> <td>$\pm .01$</td> </tr> </table> <p>ANGULAR $\pm 1-1/2'$ SHEET 1 OF 1</p> <p>BREAK ALL SHARP EDGES AND REMOVE ALL BURRS</p>	FRACTION	3 PLACE DECIMAL	2 PLACE DECIMAL	$\pm 1/64$	$\pm .005$	$\pm .01$	CHECKED:
	FRACTION	3 PLACE DECIMAL	2 PLACE DECIMAL										
$\pm 1/64$	$\pm .005$	$\pm .01$											
				<p>SCALE: 1" = 8"</p> <p>A-240031 REV C</p>	APP. ENGR.								