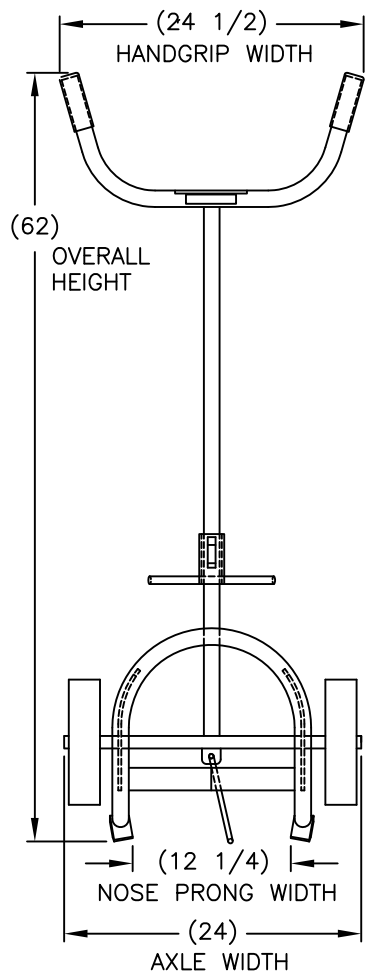


240014



P/N

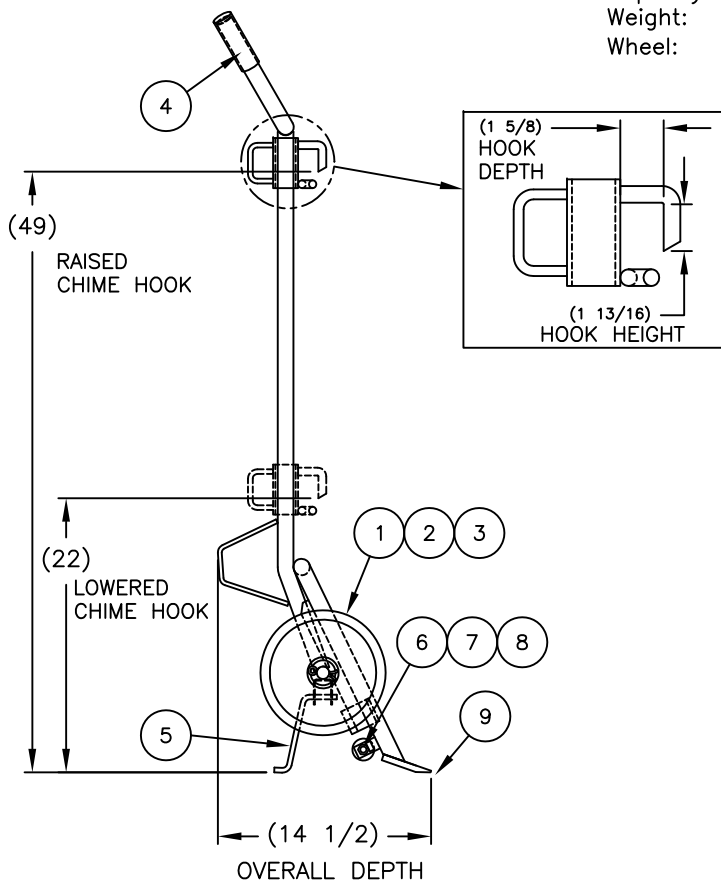
Model:  
Capacity:  
Weight:  
Wheel:

240014

10BTW  
1,000 lbs  
50 lbs  
10" x 2-1/4"  
Polyolefin

REPLACEMENT PARTS LIST

1	150691	WHEEL: 10 X 2-1/4" Poly	2
2	108208	WASHER: FLAT 1" SAE	4
3	108218	PIN: COTTER 3/16 X 1.5"	2
4	108433	HANDGRIP: YELLOW 1-1/4"	2
5	109633	KICKSTAND (5/10/50BT)	1
6	050245	WHEEL SKID (10BT)	2
7	108158	SCR, HX HD 1/2-13 X 1-3/4	2
8	108174	NUT: HEX, 1/2-13 2 WAY	2
9	050243	NOSEPRONG: (10BT/BTW)	2
10	-	BOX	



DRUM TRUCK Features:

- Industrial strength heavy duty 1" structural pipe frames.
- All joints double welded.
- High quality cast iron center moldon rubber wheel with 1" (ID) roller bearings.
- Polyolefin wheel is cost competitive and resistant to most environments that may damage rubber wheels.
- All trucks can be stored standing upright.
- Engineered to handle 55 gallon steel drum.
- capacity: 1,000 lbs.

10BT/10BTW Features:

- Machined steel load wheels behind nose prongs help ease the lifting of the drum.
- Classic single bar frame design.
- Kickstand
- Vinyl handle grips.
- With wheels resting on floor, 22" to center of lowered chime hook.
- 24.5" wide at handle
- 15.5" at nose

PRINT ISSUED

NOV. 10, 2006

WESCO MANUFACTURING  
ENGINEERING DEPARTMENT

R W S  
APP  
10-22-12  
E UPDATED  
REV.

APP  
REV.  
EON & DATE  
REVISIONS

WESCO INDUSTRIAL PRODUCTS INC.

NORTH WALES

PENNA. 19454

PART NAME

10BTW

DRUM TRUCKS

DRAWN: LDU 8-9-00

CHECKED:

APP. ENGR.

TOLERANCE UNLESS OTHERWISE SPECIFIED

FRACTION	3 PLACE DECIMAL	2 PLACE DECIMAL
± 1/64	± .005	± .01

ANGULAR ± 1-1/2"	SHEET 1 OF 1
------------------	--------------

SCALE: 1" = 10

BREAK ALL SHARP EDGES AND REMOVE ALL BURRS

B- 240014

REV E