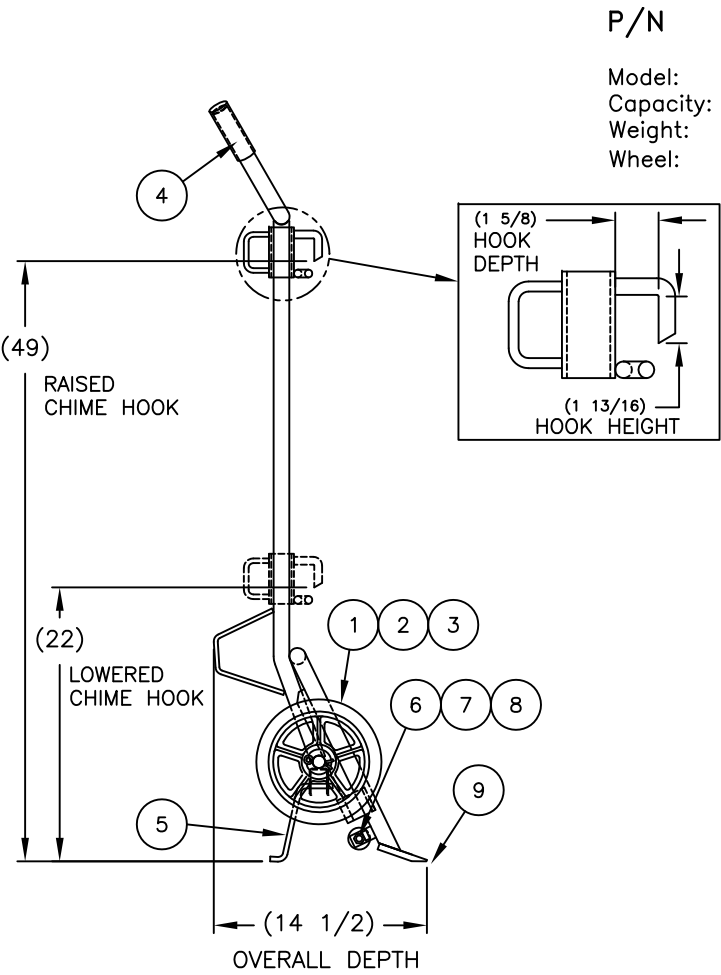
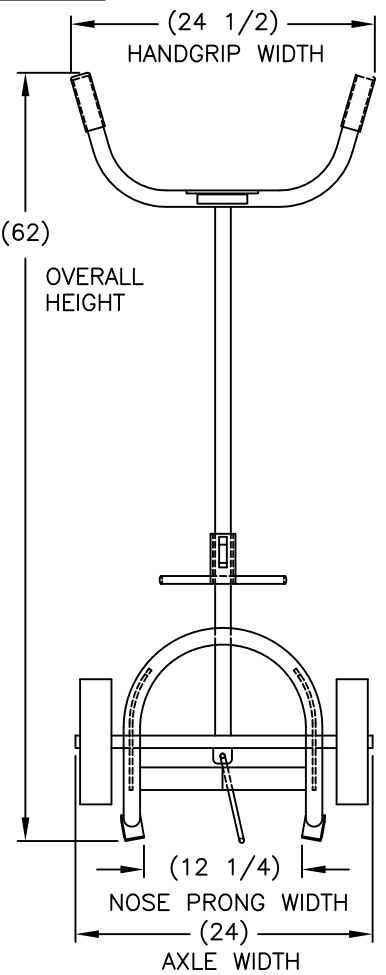


240013



P/N

Model:  
Capacity:  
Weight:  
Wheel:

240013

10BT  
1,000 lbs  
64 lbs  
10" x 2-1/2"  
Moldon Rubber

REPLACEMENT PARTS LIST

1	150596	WHEEL: "BT-1" 10X2-1/2"	2
2	108208	WASHER: FLAT 1" SAE	4
3	108218	PIN: COTTER 3/16 X 1.5"	2
4	108433	HANDGRIP: YELLOW 1-1/4"	2
5	109633	KICKSTAND (5/10/50BT)	1
6	050245	WHEEL SKID (10BT)	2
7	108158	SCR, HX HD 1/2-13 X 1-3/4	2
8	108174	NUT: HEX, 1/2-13 2 WAY	2
9	050243	NOSEPRONG: (10BT/BTW)	2
10	-	BOX	1

DRUM TRUCK Features:

- Industrial strength heavy duty 1" structural pipe frames.
- All joints double welded.
- High quality cast iron center moldon rubber wheel with 1" (ID) roller bearings.
- Polyolefin wheel is cost competitive and resistant to most environments that may damage rubber wheels.
- All trucks can be stored standing upright.
- Engineered to handle 55 gallon steel drum.
- capacity: 1,000 lbs.

10BT/10BTW Features:

- Machined steel load wheels behind nose prongs help ease the lifting of the drum.
- Classic single bar frame design.
- Kickstand
- Vinyl handle grips.
- With wheels resting on floor, 22" to center of lowered chime hook.
- 24.5" wide at handle
- 15.5" at nose

PRINT ISSUED  
NOV. 10, 2006  
WESCO MANUFACTURING  
ENGINEERING DEPARTMENT

R W S  
10-22-12  
E UPDATED  
REV.

**WESCO INDUSTRIAL PRODUCTS INC.**  
NORTH WALES PENNA. 19454

PART NAME: **10BT DRUM TRUCKS**

DRAWN: LDU 8-9-00  
CHECKED:  
APP. ENGR.

TOLERANCE UNLESS OTHERWISE SPECIFIED

FRACTION	3 PLACE DECIMAL	2 PLACE DECIMAL
± 1/64	± .005	± .01
ANGULAR ± 1-1/2"	SHEET 1 OF 1	

SCALE: 1" = 10

B- 240013 REV E

BREAK ALL SHARP EDGES AND REMOVE ALL BURRS