

BILL OF MATERIAL

ITEM	PART NO.	DESCRIPTION	230076/QTY.
1	050434	SPACER: DOG (PLTD) (APPL/VEND TRK)	2
2	050442	RETAINER: BELT CLIP (PLTD)(APPL/VENDTRK)	2
3	050449	HANDLE: RATCHET DOG (APPL/VEND)	2
4	050460	SHAFT: RATCHET, 15-1/4" (WRC/WRV SERIES)	2
5	050743	TUBE: RATCHET SPRING (MOLDED)	2
6	050887	CAP: RATCHET WITH HOLE	2
7	052001	ASS'Y: RATCHET HANDLE (R-2)	2
8	054041	BELT: "B-1" (2-PIECE STRAP)	2
9	056101	WELDMENT: FRAME - 72" AUTOREWIND W/ SWIVEL CASTERS	1
10	PD108219	PIN: COTTER (PLTD) 5/32x1"	1
11	108227	HANDGRIP: BLACK FLAT BAR	3
12	108459	RUBBER: CHANNEL EXTR. 1-1/4 x 66"(P-8)	2
13	109688	RUBBER: NOSE, .125 X 2.75 X 24"	1
14	109689	RUBBER: XBRACE, 1/8"THK x 1-1/2Wx15-3/8"	4
15	121121	BLANK: LEVER BRAKE SYSTEM HDVT	1
16	150916	COLLAR: LOCK RATCHET ASSEM..	2
17	PD150921	SPRING: RATCHET LOAD .075(29Ga) MUSIC	2
18	151250	SPRING: RATCHET 4-11/32 APPL/VENDING TRK,	2
19	PD9283K14	CAP, 1" ROUND, PLASTIC	2
20	108570	PIN: ROLL (SPRING) (PLTD) 3/16DIAx1-1/2"	2
21	PD101221	NUT: KEPS (PLTD) 10-32,	2
22	PD108929	NUT: LOCK, HEX (PLTD) 1/4-20 W/NYLOCK,	4
23	108132	NUT: LOCK, HEX (PLTD) 5/16-18 W/NYLOCK,	2
24	108222	NUT: HEX (PLTD) M6-1	2
25	108804	SCR: SCKT HD SHOULDER 3/8 x 3/4"	2
26	100158	SCR: HEX HD (PLTD) 1/4-20x3/4"	4
27	108211	SCR: HEX HD CAP (PLTD) M6-1 X 35mm	2
28	108208	WASHER: FLAT (PLTD) 1" SAE	2
29	108610	SCR: TRUSS HD MACH (PLTD) 10-32 X 1"	2
30	056102	WELDMENT: KICKOUT ASSEMBLY WRV-MAX X	1
31	056117	PIVOT ROD, LATCH	1
32	054268	CASTER: SWIV. 6X2 MOR/CI. AS	1
33	054268	CASTER: SWIV. 6X2 MOR/CI. AS	1
34	150596	WHEEL: "Z2" 10X2.75(5/8BB) SOLID RUBBER	2
35	056103	WELDMENT: WHEEL AXLE ASSEMBLY, WRV-MAX	1
36	108208	WASHER: FLAT (PLTD) 1" SAE	4
37	100466	RING: RETAINING (1") TRUARC 5100-100	2
38	150013	CLIMBER: STAIR (S-1) ASSEMBLY	2
39	108888	SCR: HEX HD (PLTD) 1/2-13x1-1/2"	4
40	100366	NUT: HEX (PLTD) 1/2-13	8
41	6338K414	X, X	4
42			2
43	056112	LINKAGE, KICKOUT	2
44	109851		2
45	1583K130	CLEVIS: ROD END 5/16-24 THD.	1
46	056121	LINK: LEVER ASSEMBLY WRV-MAX	1
47	100073	CLEVIS PIN: 3/16 DIA X 3/4 LG. GROOVED WITH RETAINING RING	1
48	056123	WELDMENT: LEVER LINKAGE, 72" WRV-MAX	1

PROPRIETARY
THIS DRAWING IN ALL PARTICULARS IS WESCO INDUSTRIAL PRODUCTS INC. PROPERTY. ALL RIGHTS OF DESIGN, INVENTION OR USE OF ARE RESERVED.



NAME	DATE	TITLE:
DRAWN PID	01/24/11	ASSEMBLY: WRV-MAX-72 W/ SWIVEL CASTERS (FRAME: 056101)
CHECKED		PROJECT:
ENG APPR.		HEAVY DUTY VENDING TRUCK

TOLERANCES		SIZE	DWG. NO.	REV
UNLESS OTHERWISE SPECIFIED DIMENSIONS ARE IN INCHES FRACTIONAL ± 1/64 ANGULAR: ±1.5° TWO PLACE DECIMAL ±0.01 THREE PLACE DECIMAL ±0.005		B	230076	A
		SCALE: 1:12	WEIGHT: 142.66 lb	SHEET 1 OF 2

8

6

5

4

3

2

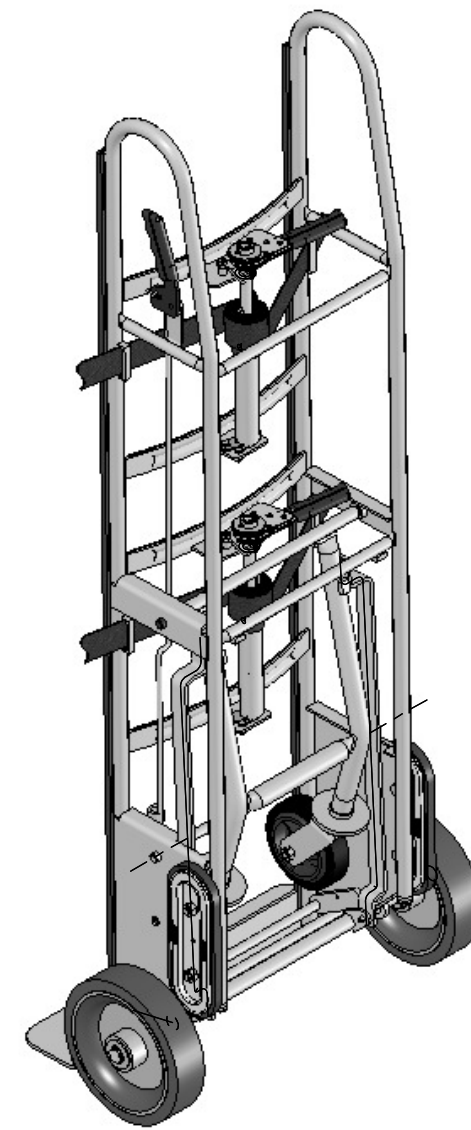
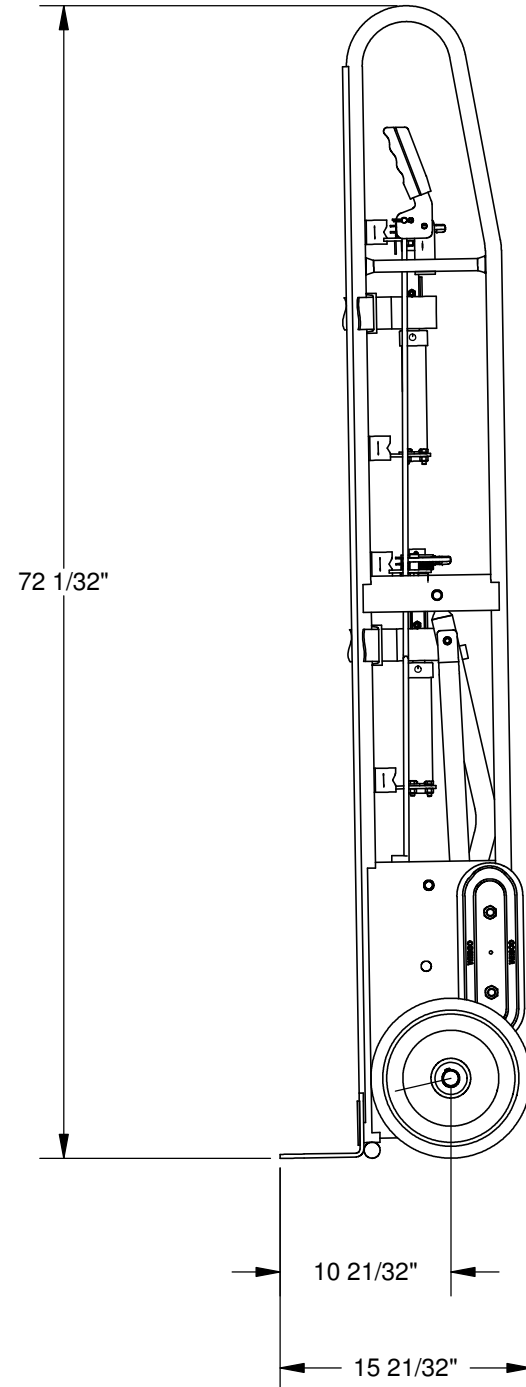
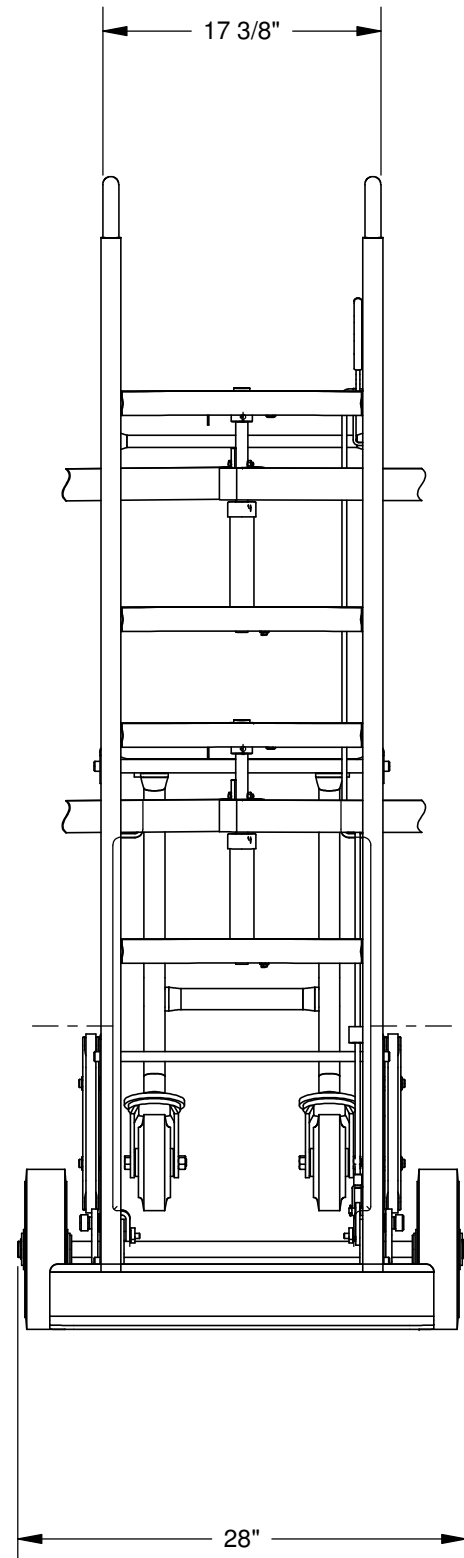
1

D

C

B

A



D

C

B

A

8

7

6


5

4

3

2

1

PROPRIETARY THIS DRAWING IN ALL PARTICULARS IS WESCO INDUSTRIAL PRODUCTS INC. PROPERTY. ALL RIGHTS OF DESIGN, INVENTION OR USE OF ARE RESERVED.		 Manufacturers of Material Handling Equipment Since 1948 LANSDALE, PA 19446 PH: 215-699-7031	
NAME	DATE	TITLE:	
DRAWN PID	01/24/11	ASSEMBLY: WRV-MAX-72 W/ SWIVEL CASTERS (FRAME: 056101)	
CHECKED		PROJECT:	
ENG APPR.		HEAVY DUTY VENDING TRUCK	
TOLERANCES UNLESS OTHERWISE SPECIFIED DIMENSIONS ARE IN INCHES FRACTIONAL ± 1/64 ANGULAR: ±1.5° TWO PLACE DECIMAL +0.01 THREE PLACE DECIMAL ±0.005		SIZE	DWG. NO.
		B	230076
		SCALE: 1:12	WEIGHT: 142.66 lb SHEET 2 OF 2
		REV	A