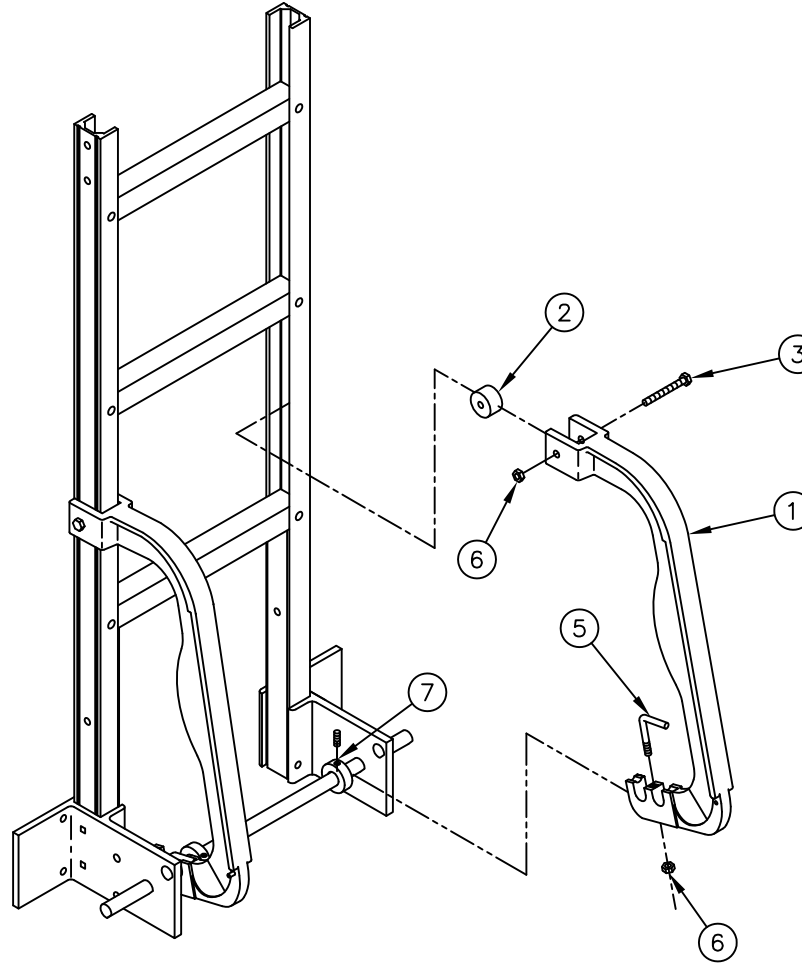


REPLACEMENT PARTS LIST

ITEM	PART NO.	DESCRIPTION	QTY.
1	120944	STAIRCLIMBER	2
2	050168	SPACER	2
3	108191	BOLT: CARR. 1/4-20 X 2"	2
4		-NOT USED-	
(C) 5	050228	BOLT: 1/4-20 X 2"	2
(B) 6	108929	1/4-20 HEX LOCKNUT	4
7	150960	5/8 SHAFT COLLAR	2



STAIRGLIDE FOR COBRA-LITE

- Cast aluminum stair glide
- Field installed.
- Stair glides with wearstrips.

P/N 220351

Model S3K  
Weight 7 lbs

THIS DRAWING IN ALL PARTICULARS IS WESCO MFGR. CO. PROPERTY. ALL RIGHTS OF DESIGN, INVENTION OR USE OF ARE RESERVED.

**PRINT ISSUED**

APR 04, 2005

WESCO MANUFACTURING  
ENGINEERING DEPARTMENT

R	W	S	KL	BF	KL	D	A	S	APP
02-26-13	04-04-05	04-04-05	06-12-03	06-12-03	4-7-00	8-7-95			
NOTES UPDATED	WAS 108887	WAS 108887	WAS 100649	WAS 100649	UPDATED DOCUMENTATION	RELEASED			
D	C	B	A	/					

**WESCO MANUFACTURING CO.**  
NORTH WALES PENNA. 19454

PART NAME: SGL (STAIRGLIDE) (MIGHTY-LITE)

DRAWN: DAS 8-4-95  
CHECKED: PS 8-7-95  
APP. ENGR.

TOLERANCE UNLESS OTHERWISE SPECIFIED

FRACTION	3 PLACE DECIMAL	2 PLACE DECIMAL
± 1/64	± .005	± .01

ANGULAR ± 1-1/2° SHEET 1 OF 1

BREAK ALL SHARP EDGES AND REMOVE ALL BURRS

SCALE: 6" = 1"

B-220351 REV D