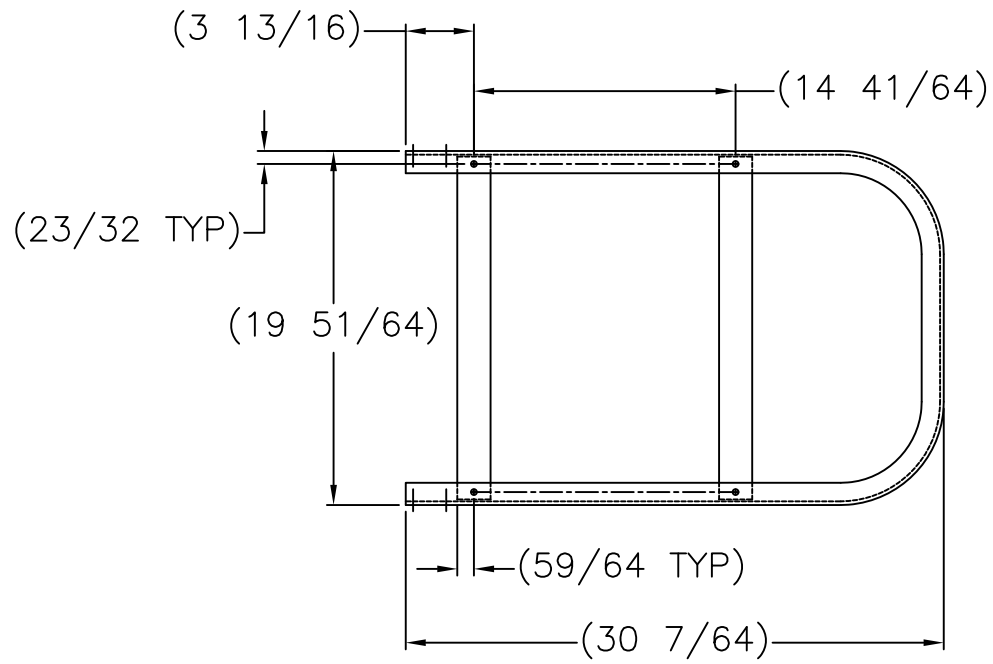


220346

REPLACEMENT PARTS LIST			
ITEM	PART NO.	DESCRIPTION	QTY.
1	050476	"Z" FOLDING NOSE BRACKET	2
2	050477	MOUNTING FOLDING NOSE BRACKET	2
3	052015	F2/F2E 20" EXT NOSEPLATE	1
4	100069	FLAT WASHER 5/15 SAE	2
5	100158	HEX SCREW 1/4-20X3/4	4
6	108102	BELLEVILLE WASHER 5/16	2
7	108132	HEX LOCK NUT	2
8	108149	HEX CAP SCREW 5/16-18X1"	2
9	108929	HEX LOCK NUT 1/4-20 W/ NYLOCK	4



### FOLDING NOSE FOR COBRA-LITE

- 20" Folding nose.
- For T-14 & T-18 Nose Plates.
- Shipped with field installation kit.
- Boxed size: 30" x 14" x 2"

P/N 220346

Model F2K  
Weight 4 lbs

THIS DRAWING IN ALL PARTICULARS IS WESCO INDUSTRIAL PRODUCTS INC. PROPERTY. ALL RIGHTS OF DESIGN, INVENTION OR USE OF ARE RESERVED.

R W S 02-27-13 UPDATED NOTES B	REV.	ECN & DATE REVISIONS SHEET 1 OF 1 BREAK ALL SHARP EDGES AND REMOVE ALL BURRS	<b>WESCO INDUSTRIAL PRODUCTS INC.</b> NORTH WALES PENNA. 19454		
	PART NAME 20" Folding Nose		DRAWN:		
	TOLERANCE UNLESS OTHERWISE SPECIFIED FRACTION 3 PLACE DECIMAL 2 PLACE DECIMAL $\pm 1/64$ $\pm .005$ $\pm .01$		CHECKED:		
	ANGULAR $\pm 1-1/2'$		APP. ENGR.		
			SCALE:		
			B- 220346 REV B		