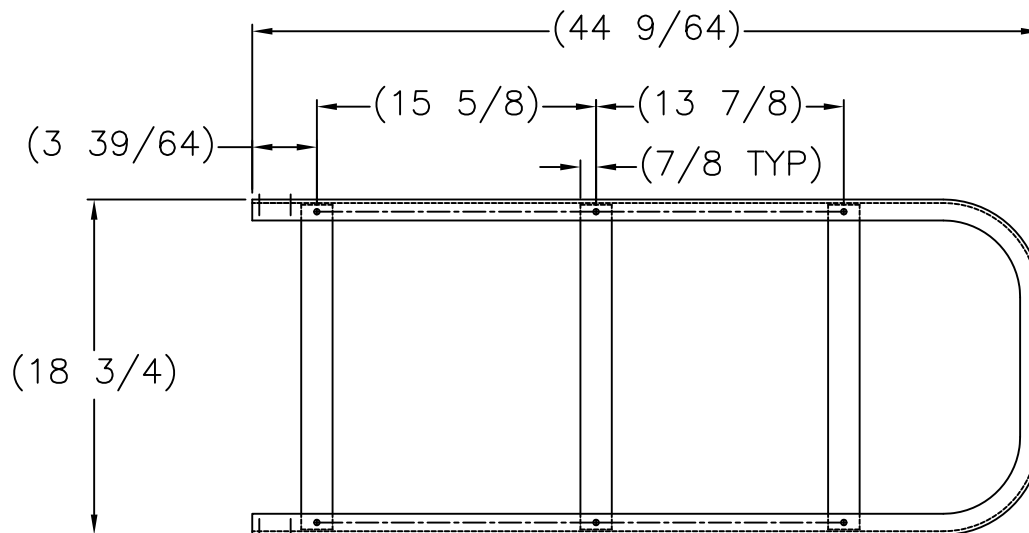


REPLACEMENT PARTS LIST

ITEM	PART NO.	DESCRIPTION	QTY.
1	050476	"Z" FOLDING NOSE BRACKET	2
2	050477	MOUNTING FOLDING NOSE BRACKET	2
3	052003	F3/F3E 30" EXT NOSEPLATE	1
4	100069	FLAT WASHER 5/15 SAE	2
5	100158	HEX SCREW 1/4-20X3/4	4
6	108102	BELLEVILLE WASHER 5/16	2
7	108132	HEX LOCK NUT	2
8	108149	HEX CAP SCREW 5/16-18X1"	2
9	108929	HEX LOCK NUT 1/4-20 W/ NYLOCK	4



FOLDING NOSE FOR COBRA-LITE

- 30" Folding nose.
- For T-14 & T-18 Nose Plates.
- Shipped with field installaion kit.
- Boxed size: 30" x 14" x 2"

P/N 220343

Model F3K
Weight 5 lbs

THIS DRAWING IN ALL PARTICULARS IS WESCO INDUSTRIAL PRODUCTS INC. PROPERTY. ALL RIGHTS OF DESIGN, INVENTION OR USE OF ARE RESERVED.

	R	W	S	APP	WESCO INDUSTRIAL PRODUCTS INC. NORTH WALES PENNA. 19454	
	02-26-13	UPDATED	ECN & DATE	REVISIONS		
	B	REV.	TOLERANCE UNLESS OTHERWISE SPECIFIED FRACTION 3 PLACE DECIMAL 2 PLACE DECIMAL $\pm 1/64$ $\pm .005$ $\pm .01$		SCALE: ANGULAR $\pm 1-1/2'$ SHEET 1 OF 1	B- 220343 REV E
	BREAK ALL SHARP EDGES AND REMOVE ALL BURRS					